

6

5

4

3

2

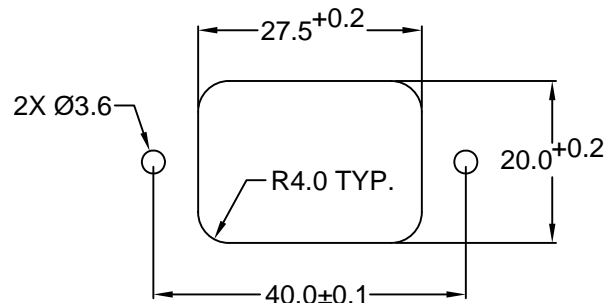
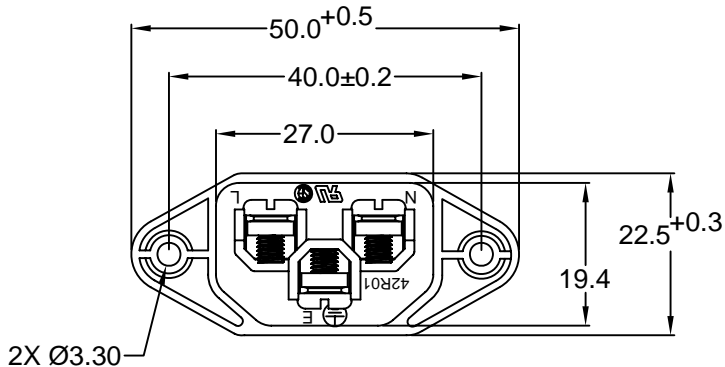
1

MATERIAL AND FINISH:

Insulator: Polycarbonate, UL-94V-0 rated
Contacts: Brass, Nickel plated

ELECTRICAL SPECIFICATIONS:

Current rating: 10 A
Voltage rating: 250 VAC
Current rating: 15 A
Voltage rating: 250 VAC



RECOMMENDED
PANEL CUT-OUT

ORDERING CODE:

42R01-4 2
 1 3

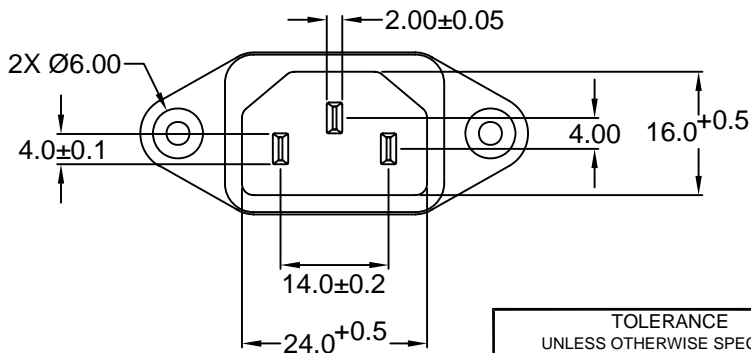
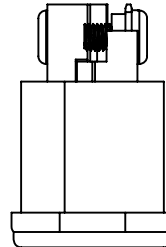
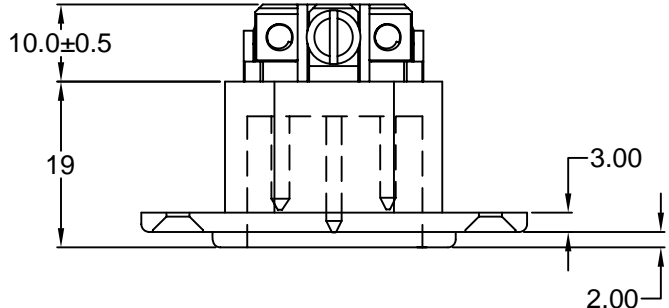
1 = COLOR

- 1 = BLACK
- 2 = GRAY

**2 = M3x6.0mm
SCREW TERMINALS**

**3 = ELECTRICAL CIRCUIT
CONFIGURATION**

- 1 = 15A 250V 120°C
2+GROUND
- 2 = 15A 250V 70°C
2+GROUND
- 4 = 15A 250V 70°C
2 POLE



RoHS
COMPLIANT

TOLERANCE UNLESS OTHERWISE SPECIFIED		
X	±	1
X.X	±	0.4
X.XX	±	0.20
DRAWN BY	GQ	DATE: 08/08/01
CHECK BY	TD	DATE: 08/14/01
APPR BY	PB	DATE: 08/14/01

Power Dynamics, Inc.
Phone: 973 560-0019 Whippany, New Jersey Fax: 973 560-0076

PART: IEC 60320 C14 APPL. INLET; SCREW
TERMINALS; SIDE FLANGE

PART #: 42R01-4X2X		SHEET 1 of 1
SIZE: A	ALL DIMENSIONS FOR REFERENCE ONLY DIMENSIONS ARE IN MILLIMETERS	
SCALE: NTS	REV:	

REVISIONS	CHANGE	CHK	CHK	APPR

6

5

4

3

2

1