

6

5

4

3




2

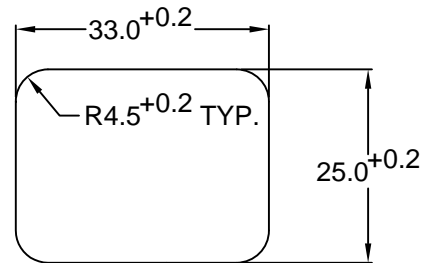
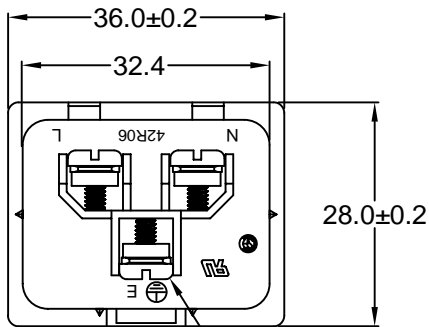
1

**MATERIAL AND FINISH:**

Insulator: Polycarbonate, UL-94V-0 rated  
Contacts: Brass, Nickel plated

**ELECTRICAL SPECIFICATIONS:**

Current rating: 16 A   
Voltage rating: 250 VAC  
Current rating: 20 A   
Voltage rating: 250 VAC   
Insulation resistance: 100 Mohm min. at 500 VDC  
Dielectric withstanding voltage: 2000 VAC for one minute



RECOMMENDED  
PANEL CUTOUT

M3x6.0mm  
SCREW TERMINIALS

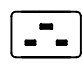

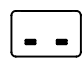
**ORDERING CODE:**

42R06-3   1   -   3    
          1      2      3

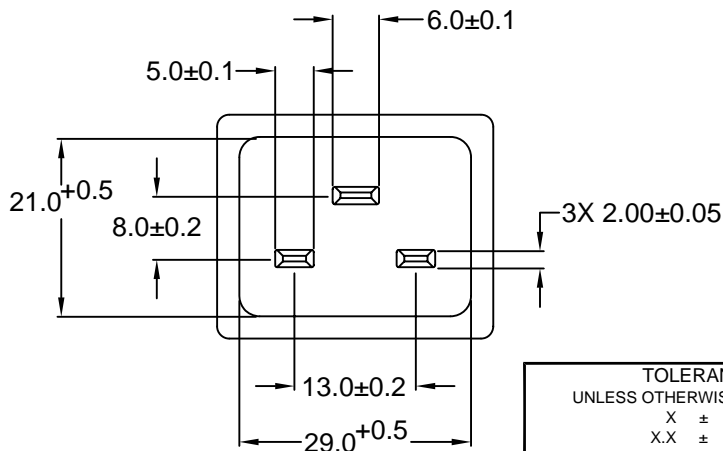
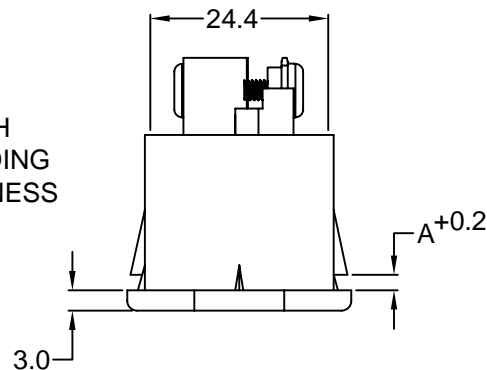
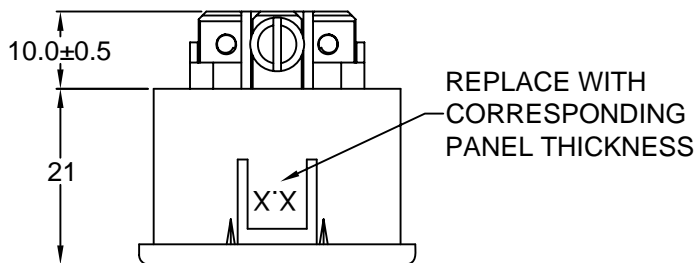
**1) COLOR**

- 1 = BLACK
- 2 = GRAY

**2) ELECTRICAL CIRCUIT CONFIGURATION**

- 1 = 20A 250V 70°C 2+GROUND 
- 2 = 20A 250V 155°C 2+GROUND 
- 4 = 20A 250V 70°C 2 POLE 

**3) PANEL THICKNESS**



P/N	A	MAX. PANEL THICKNESS
42R06-3X1X-150	1.5	1.5
42R06-3X1X-200	2.0	2.0
42R06-3X1X-250	2.5	2.5

ADDITIONAL PANEL THICKNESS  
AVAILABLE ON REQUEST

TOLERANCE UNLESS OTHERWISE SPECIFIED	
X	± 1
X.X	± 0.4
X.XX	± 0.20

**Power Dynamics, Inc.**

Phone: 973 560-0019 Whippany, New Jersey Fax: 973 560-0076

PART: 16/20A IEC 60320 APPL. INLET; SCREW  
TERMINALS; SNAP-IN, PANEL MOUNT

DRAWN BY	GQ	DATE:	08/21/01
CHECK BY	TD	DATE:	08/28/01
APPR BY	PB	DATE:	08/28/01

PART #:	42R06-3X1X-XXX	SHEET	1 of 1
SIZE:	A	ALL DIMENSIONS FOR REFERENCE ONLY DIMENSIONS ARE IN MILLIMETERS	
SCALE:	NTS	REV:	

RoHS  
COMPLIANT

D

C

B

A

REVISIONS	CHNG	CHK	APPR
REV	DATE	CHANGE	