



Reference / Premier Series Highest Performance Audio DAC Product Brief

The **SABRE** Highest Performance Audio DAC Series is the world's first 8-channel audio DAC solution to bring true professional digital audio to the mass consumer home entertainment market.

Part Number	Description	Package	DNR (dB)	THD (dB)	I2S or SPDIF Input	DSD Input	Jitter Reduction	Power (mW)
ES9008S	SABRE Reference Audio DAC	64LQFP	134 (Mono) 128 (8ch)	-118	√	√	√	100 @ 8ch
ES9006S	SABRE Premier Audio DAC	48LQFP	120	-102	√	√	√	100 @ 8ch

With patented Hyperstream™ architecture and Time Domain Jitter Eliminator, the **SABRE Reference** Audio DAC outperforms the best audiophile equipment with unprecedented 134dB DNR and -118dB THD+N, delivering true studio quality audio to digital audio applications such as Blu-ray, SACD, DVD-Audio, DVD, CD, home theatre, set top boxes and digital TV.

The **SABRE** Audio DAC sets a new standard for high quality audio performance in a cost effective, compact, easy to use form factor for today's most demanding digital audio applications.

FEATURE

BENEFIT

Patented HyperStream™ Architecture

	Reference	Premier
DNR (dB)	Up to 134	120
THD+N (dB)	-118	-102

Unprecedented dynamic range and low distortion allowing true reproduction of audio as it is mastered at recording studio

Patented Time Domain Jitter Reduction

Unmatched audio clarity free from input clock jitter allowing simple system design and layout

48-bit accumulator / 28-bit processing (Reference)
48-bit accumulator / 25-bit processing (Ultra)

Distortion free signal processing

Auto-detect PCM/ DSD converter

Universal (e.g. DVD/SACD) audio playback

8-channel DAC in 64-LQFP or 48LQFP

Reduces PCB footprint and simplifies board layout

Low power (100mW for 8 channels)

Simplifies power supply design

Customizable output configuration

Mono, stereo, 4 or 8-channel output in current or voltage mode based on performance criterion

Universal digital input

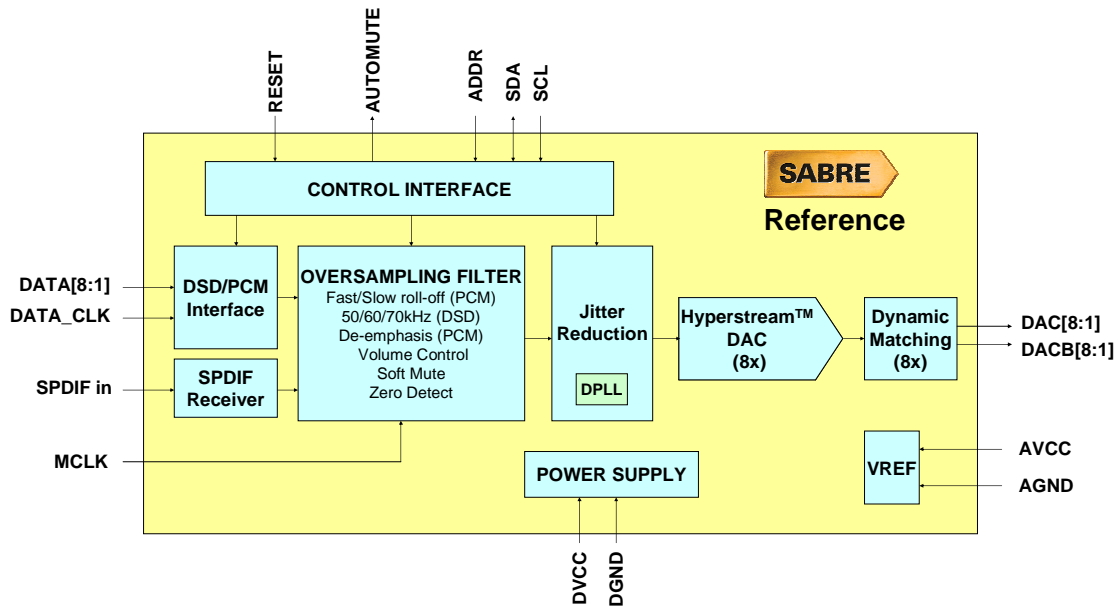
All-digital SPDIF (*Reference* only), PCM (I2S, MSB/LSB justified 16, 20 or 24-bit) or DSD input

Integrated DSP functions

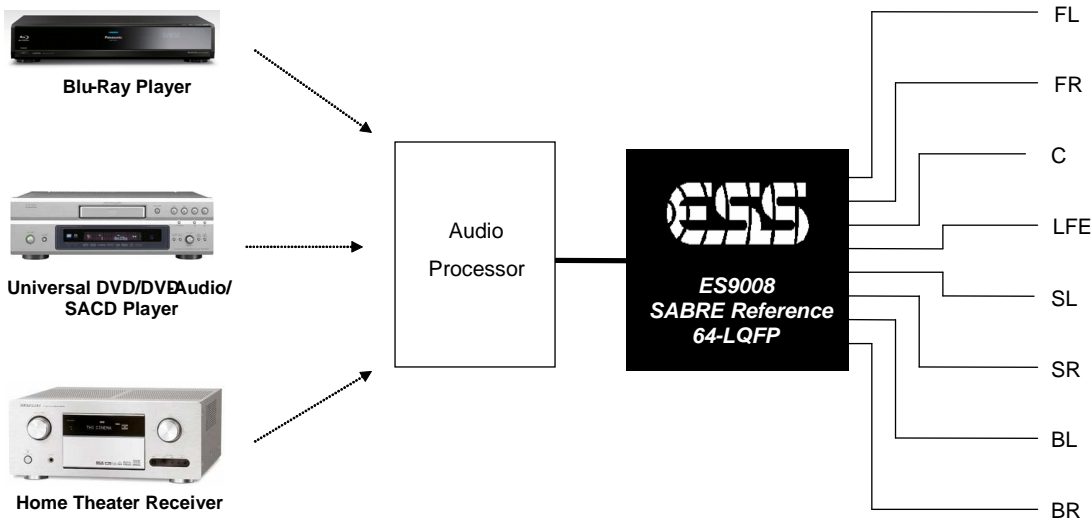
Click-free soft mute and volume control
Programmable filter characteristics for PCM/DSD
Programmable Zero detect
De-emphasis for 32, 44.1 and 48kHz sampling



FUNCTIONAL BLOCK DIAGRAM



APPLICATION DIAGRAM



No part of this publication may be reproduced, stored in a retrieval system, transmitted, or translated in any form or by any means, electronic, mechanical, manual, optical, or otherwise, without the prior written permission of ESS Technology, Inc. ESS Technology, Inc. makes no representations or warranties regarding the content of this document. All specifications are subject to change without prior notice. ESS Technology, Inc. assumes no responsibility for any errors contained herein. U.S. patents pending.