



Ultra-Small, Adjustable Sequencing/Supervisory Circuits

MAX6895-MAX6898

General Description

The MAX6895–MAX6898 is a family of small, low-power, voltage-monitoring circuits with sequencing capability. These miniature devices offer tremendous flexibility with an adjustable threshold capable of monitoring down to 0.5V and an external capacitor-adjustable time delay. These devices are ideal for use in power-supply sequencing, reset sequencing, and power-switching applications. Multiple devices can be cascaded for complex sequencing applications.

A high-impedance input with a 0.5V threshold allows an external resistive divider to set the monitored threshold. The output asserts ($OUT = \text{high}$ or $\overline{OUT} = \text{low}$) when the input voltage rises above the 0.5V threshold and the enable input is asserted ($ENABLE = \text{high}$ or $\overline{ENABLE} = \text{low}$). When the voltage at the input falls below 0.5V or when the enable input is deasserted ($ENABLE = \text{low}$ or $\overline{ENABLE} = \text{high}$), the output deasserts ($OUT = \text{low}$ or $\overline{OUT} = \text{high}$). All devices provide a capacitor-programmable delay time from when the input rises above 0.5V to when the output is asserted. The MAX689_A versions provide the same capacitor-adjustable delay from when enable is asserted to when the output asserts. The MAX689_P devices have a 1 μs propagation delay from when enable is asserted to when the output asserts.

The MAX6895A/P offers an active-high enable input and an active-high push-pull output. The MAX6896A/P offers an active-low enable input and an active-low push-pull output. The MAX6897A/P offers an active-high enable input and an active-high open-drain output. Finally, the MAX6898A/P offers an active-low enable input and an active-low open-drain output.

All devices operate from a 1.5V to 5.5V supply voltage and are fully specified over the 0°C to +125°C operating temperature range. Each device is available in an ultra-small 6-pin μDFN (1.0mm x 1.5mm) package.

Applications

Automotive	Computers/Servers
Medical Equipment	Critical μP Monitoring
Intelligent Instruments	Set-Top Boxes
Portable Equipment	Telecom

Typical Operating Circuit and Selector Guide appear at end of data sheet.

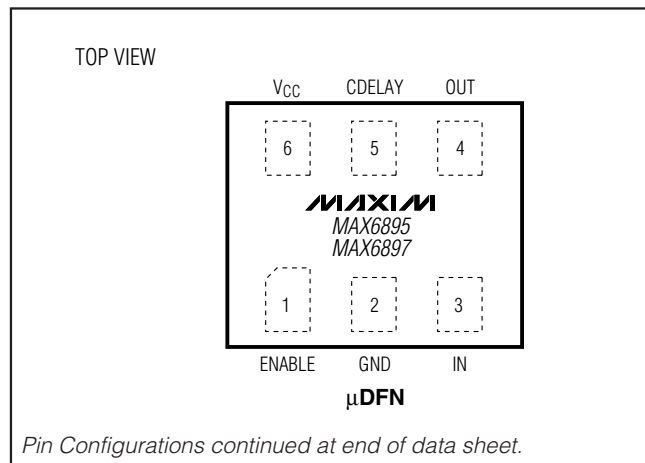
Features

- ◆ 1.75% Accurate Adjustable Threshold Over Temperature
- ◆ Operate from V_{CC} of 1.5V to 5.5V
- ◆ Capacitor-Adjustable Delay
- ◆ Active-High/-Low Enable Input Options
- ◆ Active-High/-Low Output Options
- ◆ Open-Drain (28V Tolerant)/Push-Pull Output Options
- ◆ Low Supply Current (10 μA , typ)
- ◆ Fully Specified from 0°C to +125°C
- ◆ Ultra-Small 6-Pin μDFN Package (1.5mm x 1.0mm x 0.8mm)

Ordering Information

PART	TEMP RANGE	PIN-PACKAGE	TOP MARK
MAX6895AALT-T	0°C to +125°C	6 μDFN -6	AW
MAX6895PALT-T	0°C to +125°C	6 μDFN -6	AX
MAX6896AALT-T	0°C to +125°C	6 μDFN -6	AY
MAX6896PALT-T	0°C to +125°C	6 μDFN -6	AZ
MAX6897AALT-T	0°C to +125°C	6 μDFN -6	BA
MAX6897PALT-T	0°C to +125°C	6 μDFN -6	BB
MAX6898AALT-T	0°C to +125°C	6 μDFN -6	BD
MAX6898PALT-T	0°C to +125°C	6 μDFN -6	BC

Pin Configurations



Ultra-Small, Adjustable Sequencing/Supervisory Circuits

ABSOLUTE MAXIMUM RATINGS

V_{CC}, ENABLE, $\overline{\text{ENABLE}}$, IN.....-0.3V to +6V
 OUT, $\overline{\text{OUT}}$ (push-pull)-0.3V to (V_{CC} + 0.3V)
 OUT, $\overline{\text{OUT}}$ (open-drain).....-0.3V to +30V
 CDELAY.....-0.3V to (V_{CC} + 0.3V)
 Output Current (all pins).....±20mA
 Continuous Power Dissipation (T_A = +70°C)
 6-Pin μ DFN (derate 2.1mW/°C above +70°C).....167.7mW

Operating Temperature Range.....0°C to +125°C
 Storage Temperature Range.....-65°C to +150°C
 Junction Temperature.....+150°C
 Lead Temperature (soldering, 10s).....+300°C

Stresses beyond those listed under "Absolute Maximum Ratings" may cause permanent damage to the device. These are stress ratings only, and functional operation of the device at these or any other conditions beyond those indicated in the operational sections of the specifications is not implied. Exposure to absolute maximum rating conditions for extended periods may affect device reliability.

ELECTRICAL CHARACTERISTICS

(V_{CC} = 1.5V to 5.5V, T_A = 0°C to +125°C, unless otherwise specified. Typical values are at V_{CC} = 3.3V and T_A = +25°C, unless otherwise noted.) (Note 1)

PARAMETER	SYMBOL	CONDITIONS	MIN	TYP	MAX	UNITS
SUPPLY						
Operating Voltage Range	V _{CC}		1.5		5.5	V
Undervoltage Lockout (Note 2)	UVLO	V _{CC} falling	1.20		1.35	V
V _{CC} Supply Current	I _{CC}	V _{CC} = 3.3V, no load		10	20	μ A
IN						
Threshold Voltage	V _{TH}	V _{IN} rising, 1.5V < V _{CC} < 5.5V	0.491	0.5	0.509	V
Hysteresis	V _{HYST}	V _{IN} falling		5		mV
Input Current (Note 3)	I _{IN}	V _{IN} = 0V or V _{CC}	-15		+15	nA
CDELAY						
Delay Charge Current	I _{CD}		200	250	300	nA
Delay Threshold	V _{TCD}	CDELAY rising	0.95	1.00	1.05	V
CDELAY Pulldown Resistance	R _{CDELAY}			130	500	Ω
ENABLE/$\overline{\text{ENABLE}}$						
Input Low Voltage	V _{IL}				0.4	V
Input High Voltage	V _{IH}		1.4			V
Input Leakage Current	I _{LEAK}	ENABLE, $\overline{\text{ENABLE}}$ = V _{CC} or GND	-100		+100	nA

Ultra-Small, Adjustable Sequencing/Supervisory Circuits

MAX6895-MAX6898

ELECTRICAL CHARACTERISTICS (continued)

($V_{CC} = 1.5V$ to $5.5V$, $T_A = 0^\circ C$ to $+125^\circ C$, unless otherwise specified. Typical values are at $V_{CC} = 3.3V$ and $T_A = +25^\circ C$, unless otherwise noted.) (Note 1)

PARAMETER	SYMBOL	CONDITIONS	MIN	TYP	MAX	UNITS
OUT/\overline{OUT}						
Output Low Voltage (Open-Drain or Push-Pull)	V_{OL}	$V_{CC} \geq 1.2V$, $I_{SINK} = 90\mu A$, MAX6895/MAX6897 only			0.3	V
		$V_{CC} \geq 2.25V$, $I_{SINK} = 0.5mA$			0.3	
		$V_{CC} \geq 4.5V$, $I_{SINK} = 1mA$			0.4	
Output High Voltage (Push-Pull)	V_{OH}	$V_{CC} \geq 2.25V$, $I_{SOURCE} = 500\mu A$	$0.8 \times V_{CC}$			V
		$V_{CC} \geq 4.5V$, $I_{SOURCE} = 800\mu A$	$0.8 \times V_{CC}$			
Output Open-Drain Leakage Current	I_{LKG}	Output high impedance, $V_{OUT} = 28V$			1	μA
TIMING						
IN to \overline{OUT} Propagation Delay	t_{DELAY}	V_{IN} rising	$C_{DELAY} = 0$		40	μs
			$C_{DELAY} = 0.047\mu F$		190	ms
	t_{DL}	V_{IN} falling			16	μs
Startup Delay (Note 4)					2	ms
ENABLE/ \overline{ENABLE} Minimum Input Pulse Width	t_{PW}				1	μs
ENABLE/ \overline{ENABLE} Glitch Rejection					100	ns
ENABLE/ \overline{ENABLE} to \overline{OUT} Delay	t_{OFF}	From device enabled to device disabled			150	ns
ENABLE/ \overline{ENABLE} to \overline{OUT} Delay	t_{PROPP}	From device disabled to device enabled (P version)			150	ns
			t_{PROPA}	From device disabled to device enabled (A version)	$C_{DELAY} = 0$	20
	$C_{DELAY} = 0.047\mu F$	190			ms	

Note 1: All devices are production tested at $T_A = +25^\circ C$. Limits over temperature are guaranteed by design.

Note 2: When V_{CC} falls below the UVLO threshold, the outputs will deassert (OUT goes low, \overline{OUT} goes high). When V_{CC} falls below 1.2V, the output state cannot be determined.

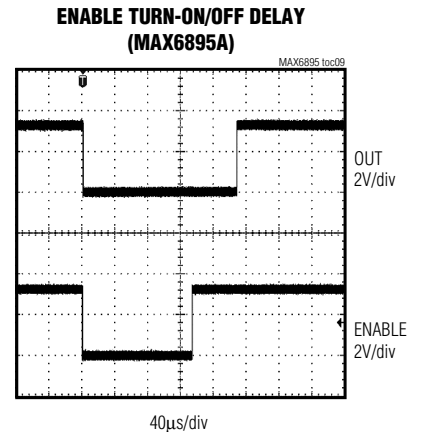
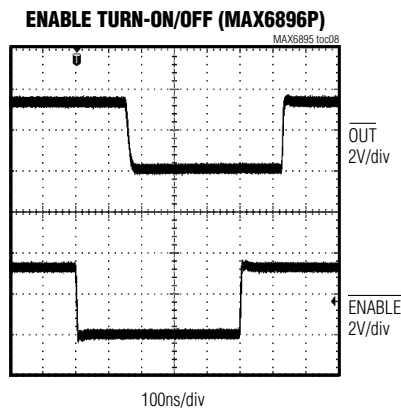
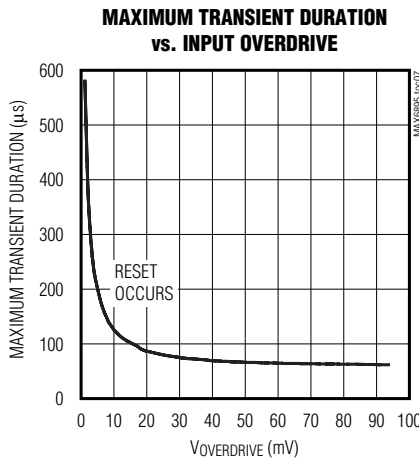
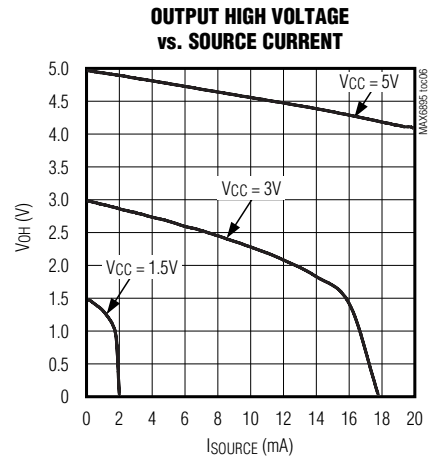
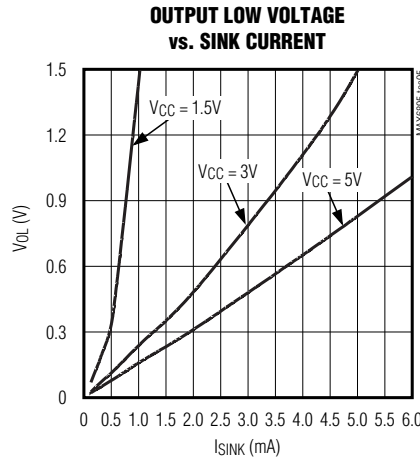
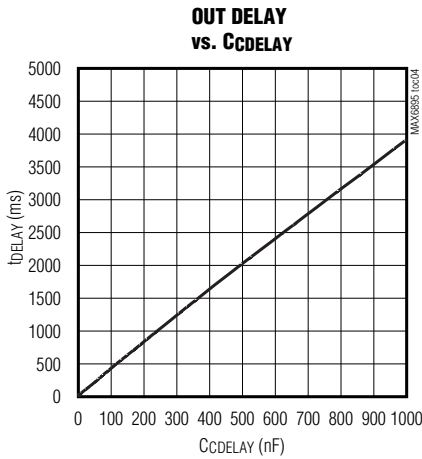
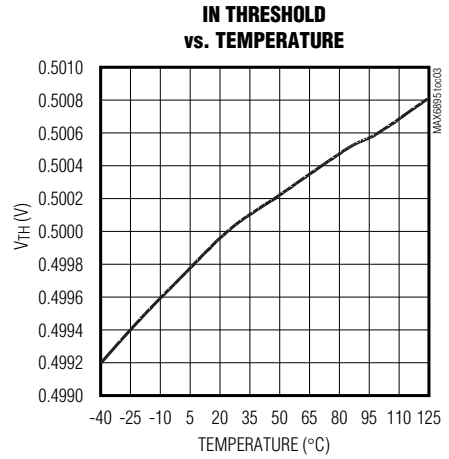
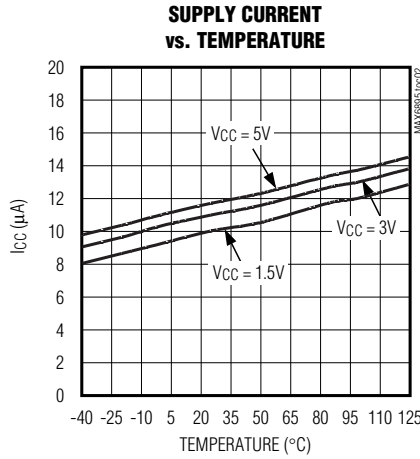
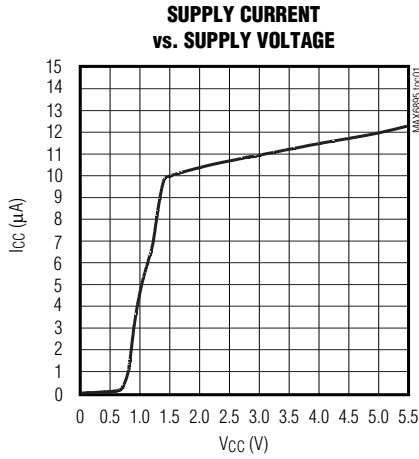
Note 3: Guaranteed by design.

Note 4: During the initial power-up, V_{CC} must exceed 1.5V for at least 2ms before the output is guaranteed to be in the correct state.

Ultra-Small, Adjustable Sequencing/Supervisory Circuits

Typical Operating Characteristics

($V_{CC} = 3.3V$ and $T_A = +25^\circ C$, unless otherwise noted.)



Ultra-Small, Adjustable Sequencing/Supervisory Circuits

Pin Description

MAX6895-MAX6898

PIN		NAME	FUNCTION
MAX6895/ MAX6897	MAX6896/ MAX6898		
1	—	ENABLE	Active-High Logic-Enable Input. Drive ENABLE low to immediately deassert the output to its false state (OUT = low or $\overline{\text{OUT}}$ = high) independent of V_{IN} . With V_{IN} above V_{TH} , drive ENABLE high to assert the output to its true state (OUT = high or $\overline{\text{OUT}}$ = low) after the adjustable delay period (MAX689_A) or a 150ns propagation delay (MAX689_P).
—	1	$\overline{\text{ENABLE}}$	Active-Low Logic-Enable Input. Drive $\overline{\text{ENABLE}}$ high to immediately deassert the output to its false state (OUT = low or $\overline{\text{OUT}}$ = high) independent of V_{IN} . With V_{IN} above V_{TH} , drive $\overline{\text{ENABLE}}$ low to assert the output to its true state (OUT = high or $\overline{\text{OUT}}$ = low) after the adjustable delay period (MAX689_A) or a 150ns propagation delay (MAX689_P).
2	2	GND	Ground
3	3	IN	High-Impedance Monitor Input. Connect IN to an external resistive divider to set the desired monitored threshold. The output changes state when V_{IN} rises above 0.5V and when V_{IN} falls below 0.495V.
4	—	OUT	Active-High Sequencer/Monitor Output, Push-Pull (MAX6895) or Open-Drain (MAX6897). OUT is asserted to its true state (OUT = high) when V_{IN} is above V_{TH} and the enable input is in its true state (ENABLE = high or $\overline{\text{ENABLE}}$ = low) for the capacitor-adjusted delay period. OUT is deasserted to its false state (OUT = low) immediately after V_{IN} drops below $V_{\text{TH}} - 5\text{mV}$ or the enable input is in its false state (ENABLE = low or $\overline{\text{ENABLE}}$ = high). The open-drain version requires an external pullup resistor.
—	4	$\overline{\text{OUT}}$	Active-Low Sequencer/Monitor Output, Push-Pull (MAX6896) or Open-Drain (MAX6898). OUT is asserted to its true state ($\overline{\text{OUT}}$ = low) when V_{IN} is above V_{TH} and the enable input is in its true state (ENABLE = high or $\overline{\text{ENABLE}}$ = low) for the CDELAY adjusted timeout period. OUT is deasserted to its false state ($\overline{\text{OUT}}$ = high) immediately after V_{IN} drops below $V_{\text{TH}} - 5\text{mV}$ or the enable input is in its false state (ENABLE = low or $\overline{\text{ENABLE}}$ = high). The open-drain version requires an external pullup resistor.
5	5	CDELAY	Capacitor-Adjustable Delay. Connect an external capacitor (C_{CDELAY}) from CDELAY to GND to set the IN to OUT (and ENABLE to OUT or $\overline{\text{ENABLE}}$ to OUT for A version devices) delay period. $t_{\text{DELAY}} = (C_{\text{CDELAY}} \times 4.0 \times 10^6) + 40\mu\text{s}$. There is a fixed short delay (40 μs , typ) for the output deasserting when V_{IN} falls below V_{TH} .
6	6	VCC	Supply Voltage Input. Connect a 1.5V to 5.5V supply to VCC to power the device. For noisy systems, bypass with a 0.1 μF ceramic capacitor to GND.

Ultra-Small, Adjustable Sequencing/Supervisory Circuits

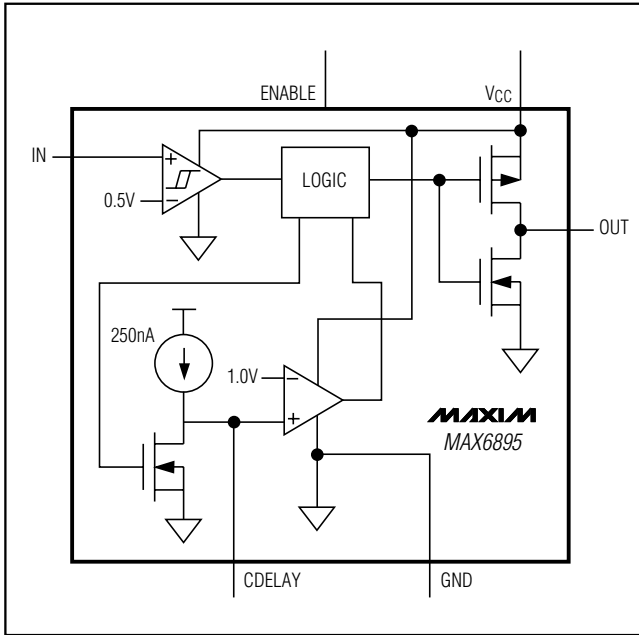


Figure 1. MAX6895 Functional Diagram

Detailed Description

The MAX6895–MAX6898 is a family of ultra-small, low-power, sequencing/supervisory circuits. These devices provide adjustable voltage monitoring for inputs down to 0.5V. They are ideal for use in power-supply sequencing, reset sequencing, and power-switching applications. Multiple devices can be cascaded for complex sequencing applications.

Voltage monitoring is performed through a high-impedance input (IN) with an internally fixed 0.5V threshold. When the voltage at IN falls below 0.5V or when the enable input is deasserted (ENABLE = low or $\overline{\text{ENABLE}}$ = high), the output deasserts (OUT goes low or $\overline{\text{OUT}}$ goes high). When V_{IN} rises above 0.5V and the enable input is asserted (ENABLE = high or $\overline{\text{ENABLE}}$ = low), the output asserts (OUT goes high or $\overline{\text{OUT}}$ goes low) after a capacitor-programmable time delay.

With V_{IN} above 0.5V, the enable input can be used to turn the output on or off. After the enable input is asserted, the output turns on with a capacitor-programmable delay period (A version) or with a 150ns propagation delay (P version). Tables 1 and 2 detail the output state depending on the various input and enable conditions.

Table 1. MAX6895/MAX6897 Output

IN	ENABLE	OUT
$V_{\text{IN}} < V_{\text{TH}}$	Low	Low
$V_{\text{IN}} < V_{\text{TH}}$	High	Low
$V_{\text{IN}} > V_{\text{TH}}$	Low	Low
$V_{\text{IN}} > V_{\text{TH}}$	High	OUT = V_{CC} (MAX6895)
		OUT = high impedance (MAX6897)

Table 2. MAX6896/MAX6898 Output

IN	ENABLE	$\overline{\text{OUT}}$
$V_{\text{IN}} < V_{\text{TH}}$	Low	$\overline{\text{OUT}} = V_{\text{CC}}$ (MAX6896)
		$\overline{\text{OUT}} = \text{high impedance}$ (MAX6898)
$V_{\text{IN}} < V_{\text{TH}}$	High	$\overline{\text{OUT}} = V_{\text{CC}}$ (MAX6896)
		$\overline{\text{OUT}} = \text{high impedance}$ (MAX6898)
$V_{\text{IN}} > V_{\text{TH}}$	Low	Low
$V_{\text{IN}} > V_{\text{TH}}$	High	$\overline{\text{OUT}} = V_{\text{CC}}$ (MAX6896)
		$\overline{\text{OUT}} = \text{high impedance}$ (MAX6898)

Supply Input (VCC)

The device operates with a V_{CC} supply voltage from 1.5V to 5.5V. To maintain a 1.75% accurate threshold, V_{CC} must be above 1.5V. When V_{CC} falls below the UVLO threshold, the output deasserts. When V_{CC} falls below 1.2V the output state cannot be determined. For noisy systems, connect a 0.1 μF ceramic capacitor from V_{CC} to GND. For the push-pull active-high output option, a 100k Ω external pulldown resistor to ground ensures the correct logic state for V_{CC} down to 0.

Monitor Input (IN)

Connect the center point of a resistive divider to IN to monitor external voltages (see R1 and R2 of the *Typical Operating Circuit*). IN has a rising threshold of $V_{\text{TH}} = 0.5\text{V}$ and a falling threshold of 0.495V (5mV hysteresis). When V_{IN} rises above V_{TH} and ENABLE is high (or $\overline{\text{ENABLE}}$ is low) OUT goes high (OUT goes low) after the programmed t_{DELAY} period. When V_{IN} falls below 0.495V, OUT goes low ($\overline{\text{OUT}}$ goes high) after a 16 μs delay. IN has a maximum input current of 15nA so large-value resistors are permitted without adding significant error to the resistive divider.

Ultra-Small, Adjustable Sequencing/Supervisory Circuits

Adjustable Delay (CDELAY)

When V_{IN} rises above V_{TH} with \overline{ENABLE} high (\overline{ENABLE} low), the internal 250nA current source begins charging an external capacitor connected from CDELAY to GND. When the voltage at CDELAY reaches 1V, the output asserts (OUT goes high or \overline{OUT} goes low). When the output asserts, C_{DELAY} is immediately discharged. Adjust the delay (t_{DELAY}) from when V_{IN} rises above V_{TH} (with \overline{ENABLE} high or \overline{ENABLE} low) to \overline{OUT} going high (OUT going low) according to the equation:

$$t_{DELAY} = C_{DELAY} \times 4.0 \times 10^{-6} + 40\mu s$$

where C_{DELAY} is the external capacitor from CDELAY to GND.

For adjustable delay devices (A version), when $V_{IN} > 0.5V$ and \overline{ENABLE} goes from low to high (\overline{ENABLE} goes from high to low) the output asserts after a t_{DELAY} period. For nonadjustable delay devices (P version) there is a 1 μs propagation delay from when the enable input is asserted to when the output asserts. Figures 2 through 5 show the timing diagrams for the adjustable and fixed delay versions, respectively.

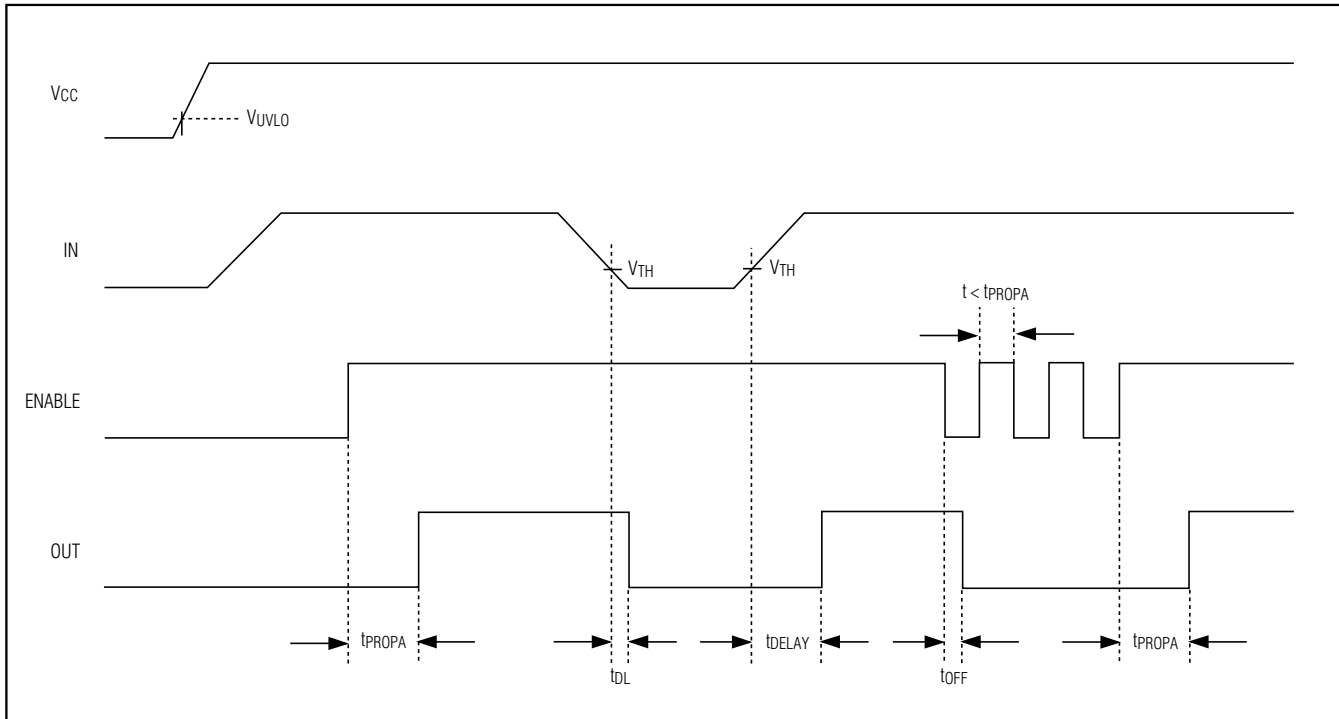


Figure 2. MAX6895A/MAX6897A Timing Diagram

Ultra-Small, Adjustable Sequencing/Supervisory Circuits

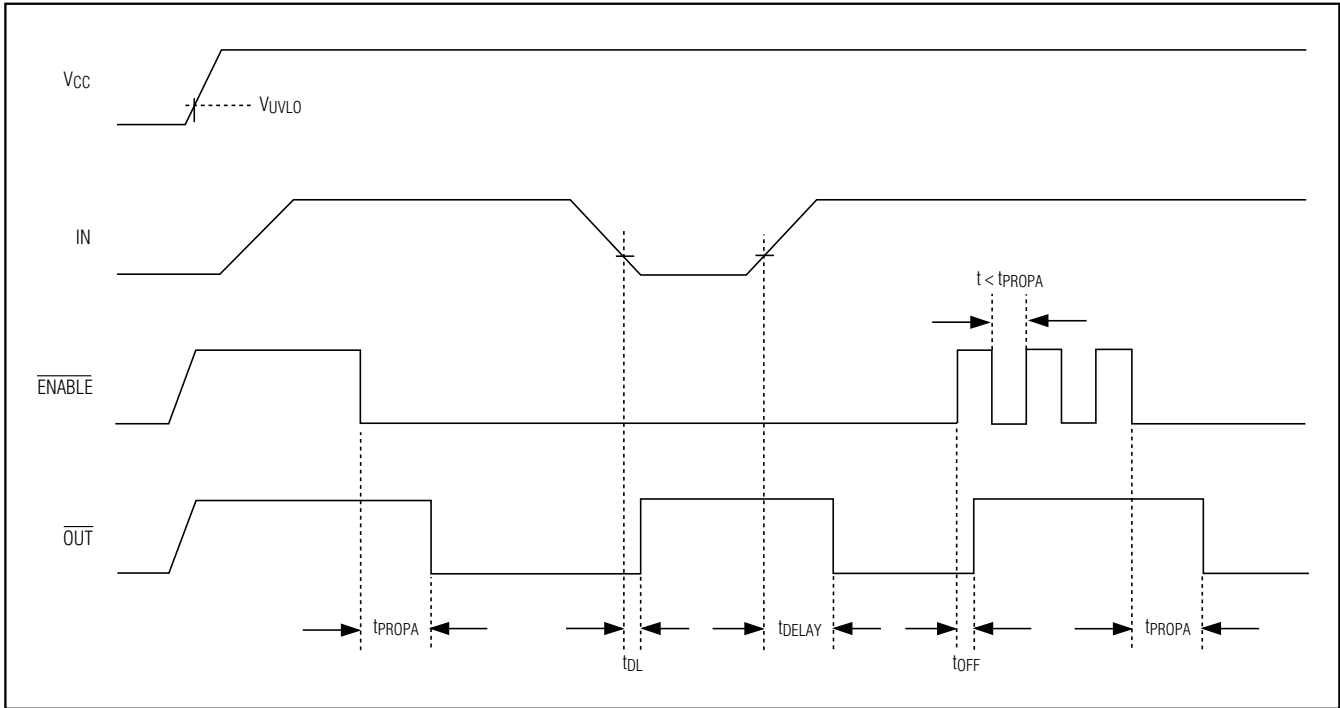


Figure 3. MAX6896A/MAX6898A Timing Diagram

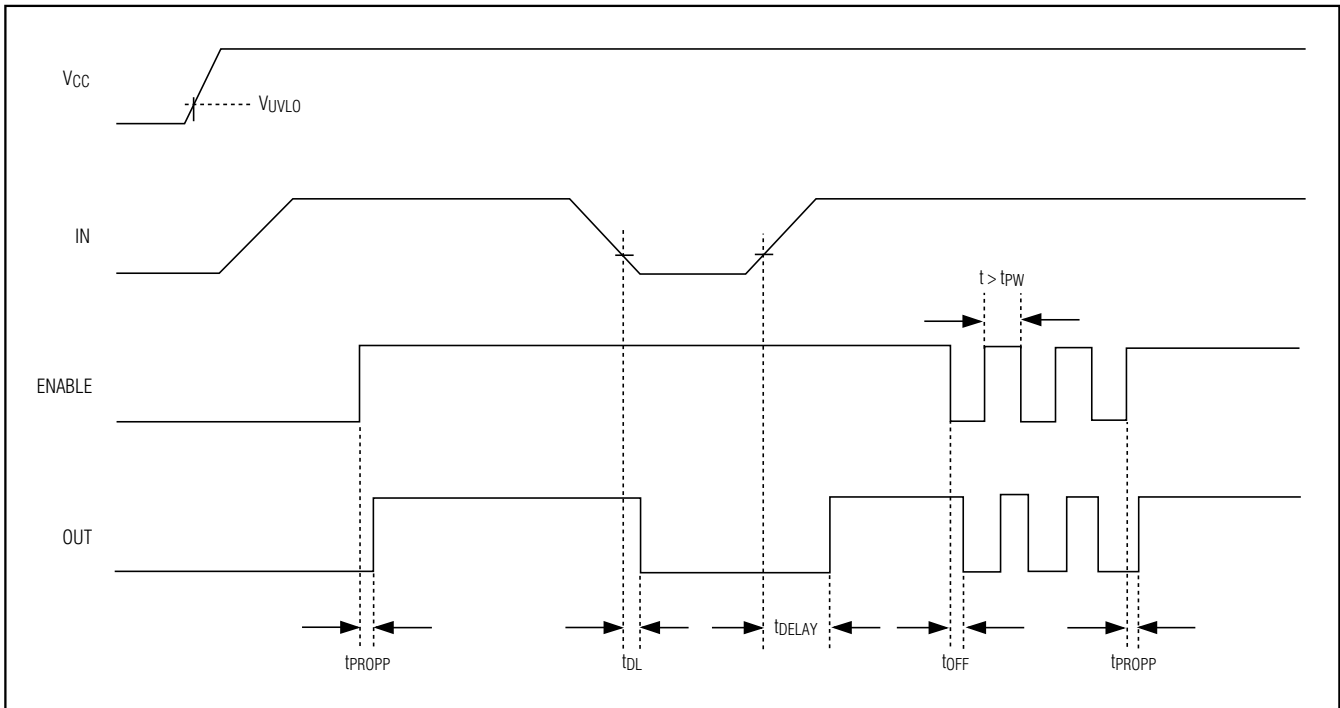


Figure 4. MAX6895P/MAX6897P Timing Diagram

Ultra-Small, Adjustable Sequencing/Supervisory Circuits

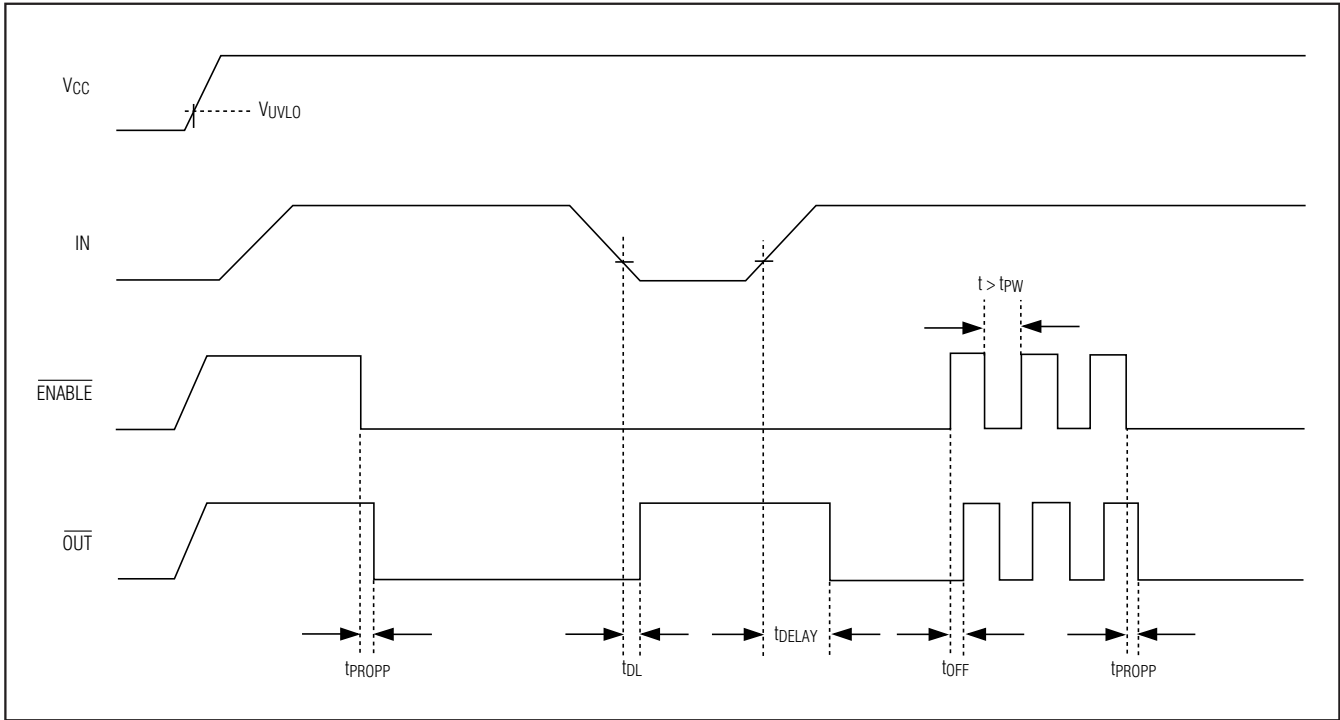


Figure 5. MAX6896P/MAX6898P Timing Diagram

Enable Input (ENABLE or $\overline{\text{ENABLE}}$)

The MAX6895/MAX6897 offer an active-high enable input (ENABLE), while the MAX6896/MAX6898 offer an active-low enable input ($\overline{\text{ENABLE}}$). With V_{IN} above V_{TH} , drive ENABLE high ($\overline{\text{ENABLE}}$ low) to force OUT high ($\overline{\text{OUT}}$ low) after the adjustable delay time (A versions). For P version devices, when $V_{IN} > 0.5V$ and enable is asserted, the output asserts after typically 150ns.

The enable input has logic-high and logic-low voltage thresholds of 1.4V and 0.4V, respectively. For both versions, when $V_{IN} > 0.5V$, drive ENABLE low ($\overline{\text{ENABLE}}$ high) to force OUT low ($\overline{\text{OUT}}$ high) within 150ns typ.

Output (OUT or $\overline{\text{OUT}}$)

The MAX6895 offers an active-high, push-pull output (OUT), and the MAX6896 offers an active-low push-pull output ($\overline{\text{OUT}}$). The MAX6897 offers an active-high open-drain output (OUT), and the MAX6898 offers an active-low open-drain output ($\overline{\text{OUT}}$).

Push-pull output devices are referenced to V_{CC} . Open-drain outputs can be pulled up to 28V.

Applications Information

Input Threshold

The MAX6895-MAX6898 monitor the voltage on IN with an external resistive divider (see R1 and R2 in the *Typical Operating Circuit*). R1 and R2 can have very high values to minimize current consumption due to low IN leakage currents ($\pm 15nA$ max). Set R2 to some conveniently high value (1M Ω , for example) and calculate R1 based on the desired monitored voltage using the following formula:

$$R1 = R2 \times \left[\frac{V_{\text{MONITOR}}}{V_{IN}} - 1 \right]$$

where V_{MONITOR} is the desired monitored voltage and V_{IN} is the detector input threshold (0.5V).

Ultra-Small, Adjustable Sequencing/Supervisory Circuits

Pullup Resistor Values (MAX6897/MAX6898)

The exact value of the pullup resistors for the open-drain outputs is not critical, but some consideration should be made to ensure the proper logic levels when the device is sinking current. For example, if $V_{CC} = 2.25V$ and the pullup voltage is $28V$, you would try to keep the sink current less than $0.5mA$ as shown in the *Electrical Characteristics* table. As a result, the pullup resistor should be greater than $56k\Omega$. For a $12V$ pullup, the resistor should be larger than $24k\Omega$. It should be noted that the ability to sink current is dependent on the V_{CC} supply voltage.

Typical Application Circuits

Figures 6, 7, 8 show typical applications for the MAX6895-MAX6898. Figure 6 shows the MAX6895

used with a p-channel MOSFET in an overvoltage protection circuit. Figure 7 shows the MAX6895 in a low-voltage sequencing application using an n-channel MOSFET. Figure 8 shows the MAX6895 used in a multiple-output sequencing application.

Using an n-Channel Device for Sequencing

In higher power applications, using an n-channel device reduces the loss across the MOSFETs as it offers a lower drain-to-source on-resistance. However, an n-channel MOSFET requires a sufficient V_{GS} voltage to fully enhance it for a low R_{DS_ON} . The application in Figure 7 shows the MAX6895 in a switch sequencing application using an n-channel MOSFET.

Similarly, if a higher voltage is present in the system, the open-drain version can be used in the same manner.

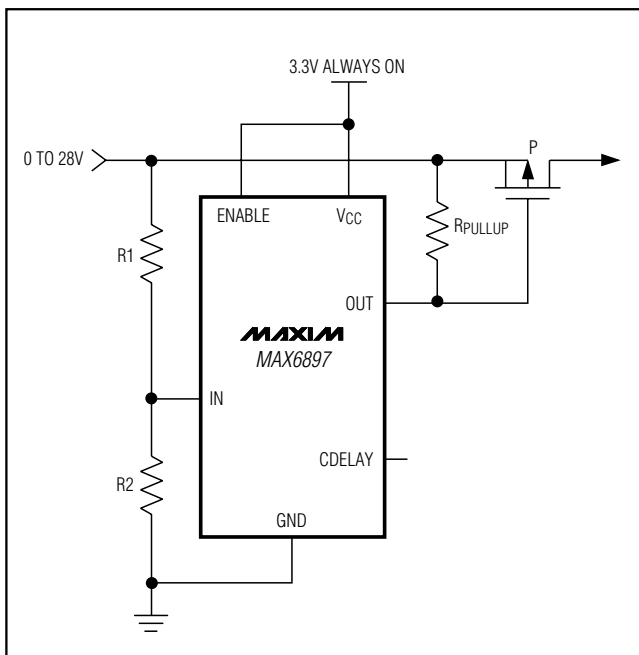


Figure 6. Overvoltage Protection

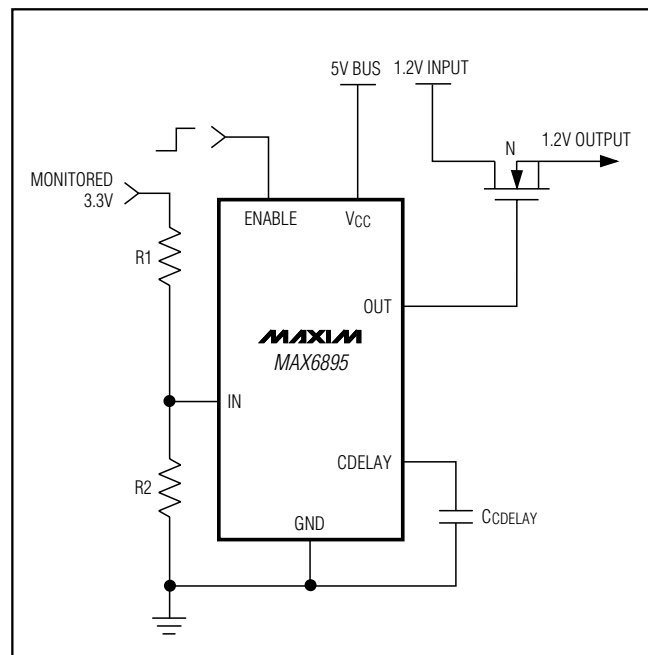


Figure 7. Low-Voltage Sequencing Using an n-Channel MOSFET

Ultra-Small, Adjustable Sequencing/Supervisory Circuits

MAX6895-MAX6898

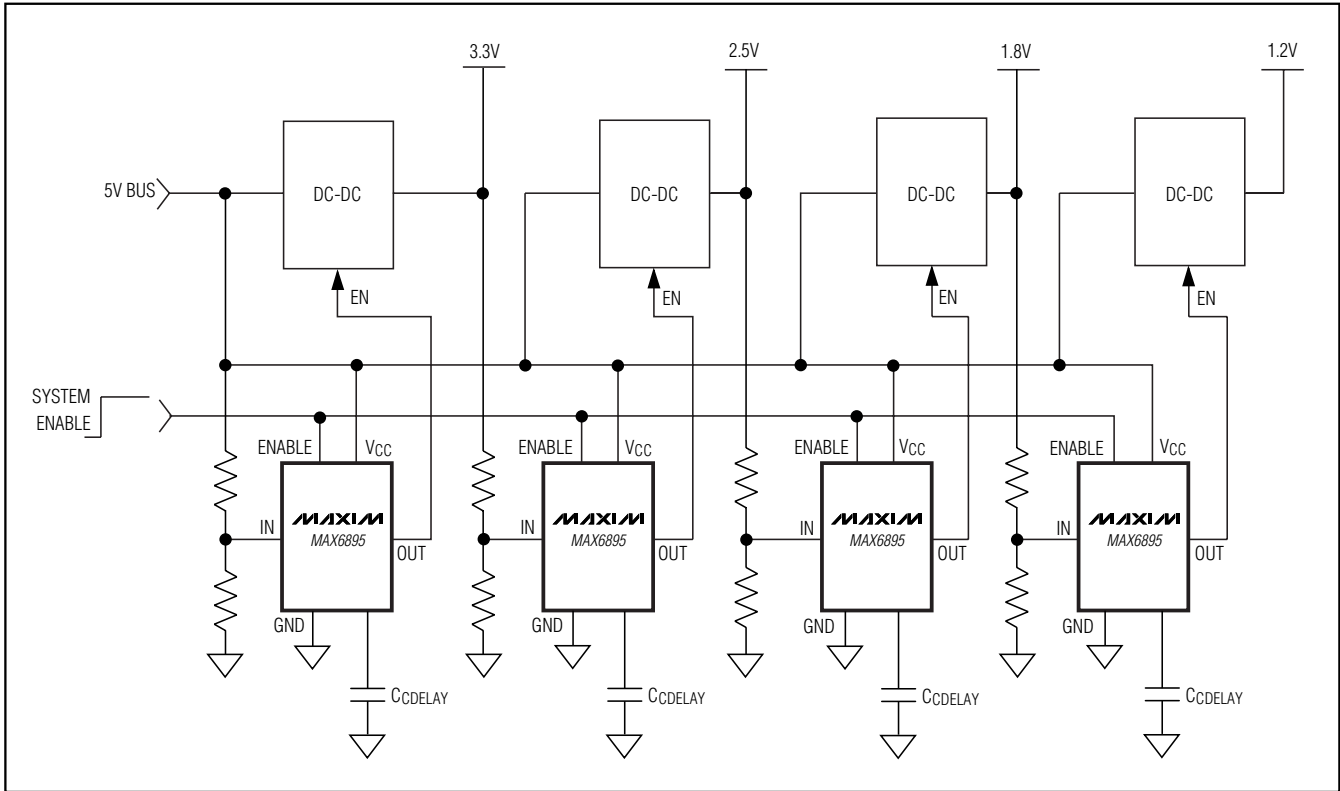


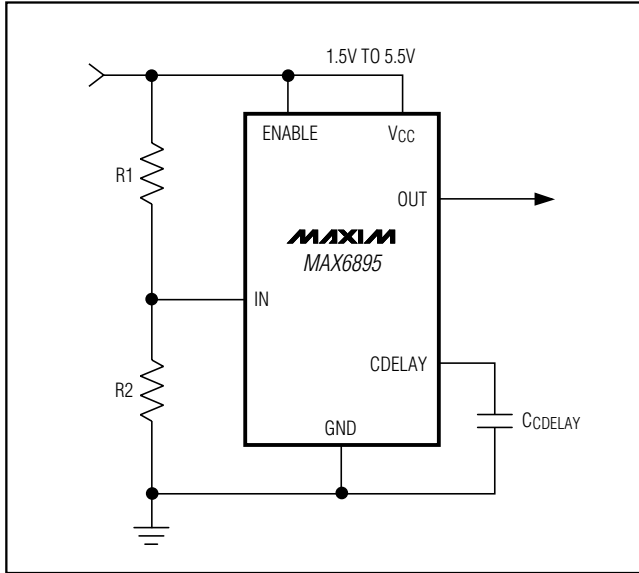
Figure 8. Multiple-Output Sequencing

Selector Guide

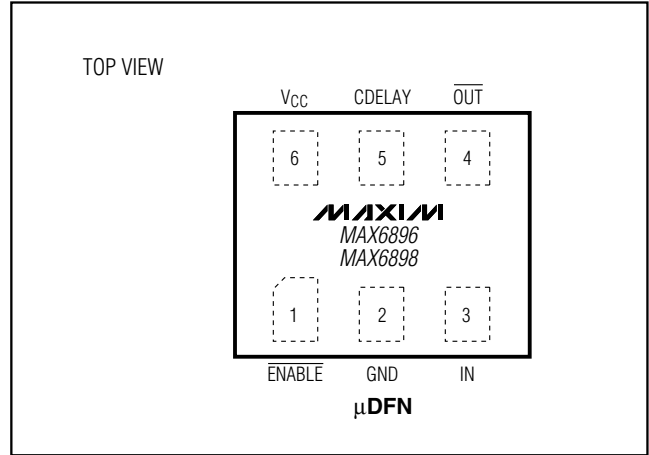
PART	ENABLE INPUT	OUTPUT	INPUT (IN) DELAY	ENABLE DELAY
MAX6895AALT	Active-High	Active-High, Push-Pull	Capacitor Adjustable	Capacitor Adjustable
MAX6895PALT	Active-High	Active-High, Push-Pull	Capacitor Adjustable	150ns Delay
MAX6896AALT	Active-Low	Active-Low, Push-Pull	Capacitor Adjustable	Capacitor Adjustable
MAX6896PALT	Active-Low	Active-Low, Push-Pull	Capacitor Adjustable	150ns Delay
MAX6897AALT	Active-High	Active-High, Open-Drain	Capacitor Adjustable	Capacitor Adjustable
MAX6897PALT	Active-High	Active-High, Open-Drain	Capacitor Adjustable	150ns Delay
MAX6898AALT	Active-Low	Active-Low, Open-Drain	Capacitor Adjustable	Capacitor Adjustable
MAX6898PALT	Active-Low	Active-Low, Open-Drain	Capacitor Adjustable	150ns Delay

Ultra-Small, Adjustable Sequencing/Supervisory Circuits

Typical Operating Circuit



Pin Configurations (continued)



Chip Information

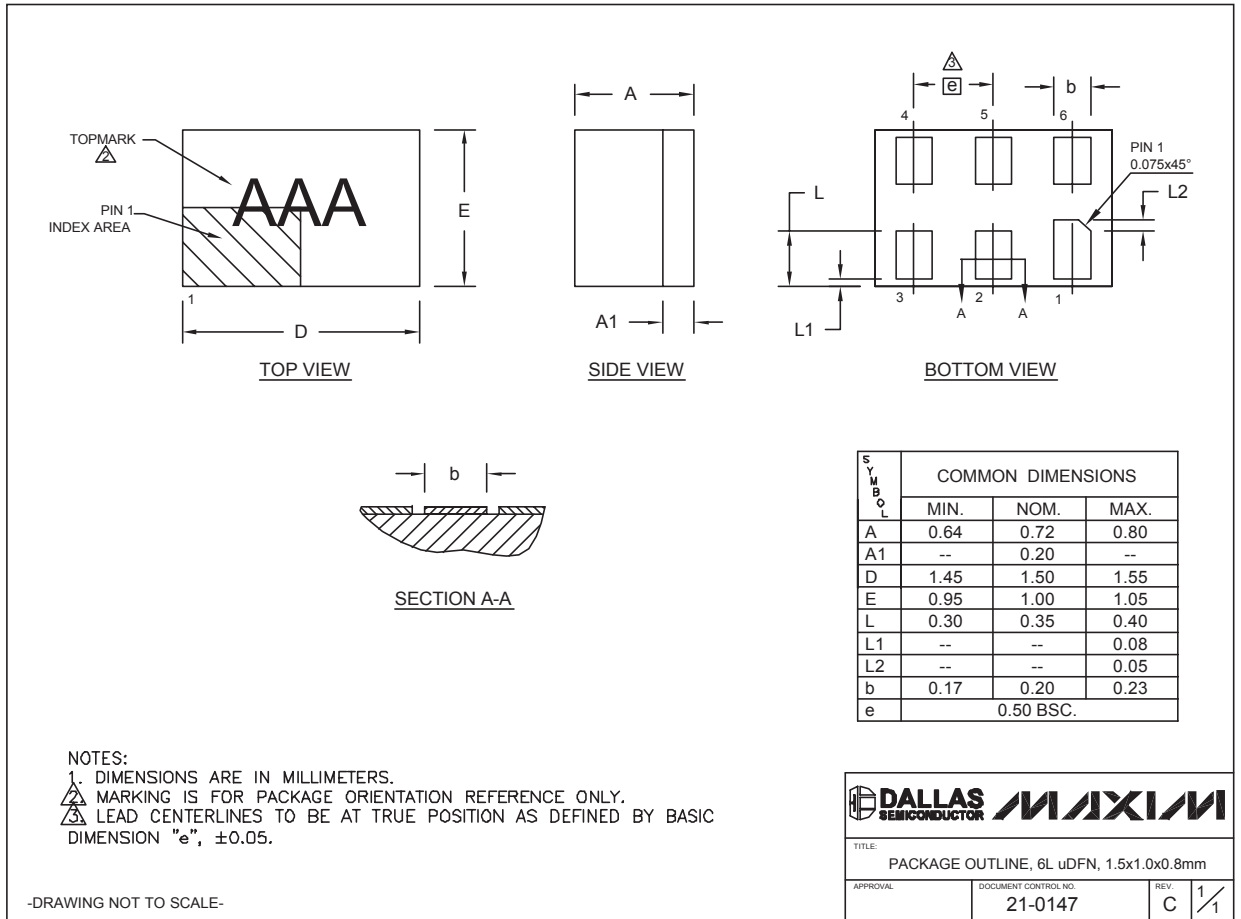
PROCESS: BiCMOS

Ultra-Small, Adjustable Sequencing/Supervisory Circuits

Package Information

(The package drawing(s) in this data sheet may not reflect the most current specifications. For the latest package outline information go to www.maxim-ic.com/packages.)

MAX6895-MAX6898



Maxim cannot assume responsibility for use of any circuitry other than circuitry entirely embodied in a Maxim product. No circuit patent licenses are implied. Maxim reserves the right to change the circuitry and specifications without notice at any time.

Maxim Integrated Products, 120 San Gabriel Drive, Sunnyvale, CA 94086 408-737-7600 13