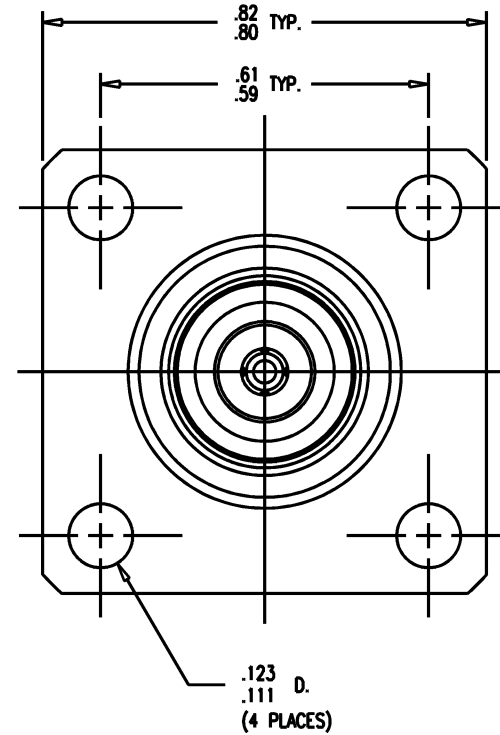
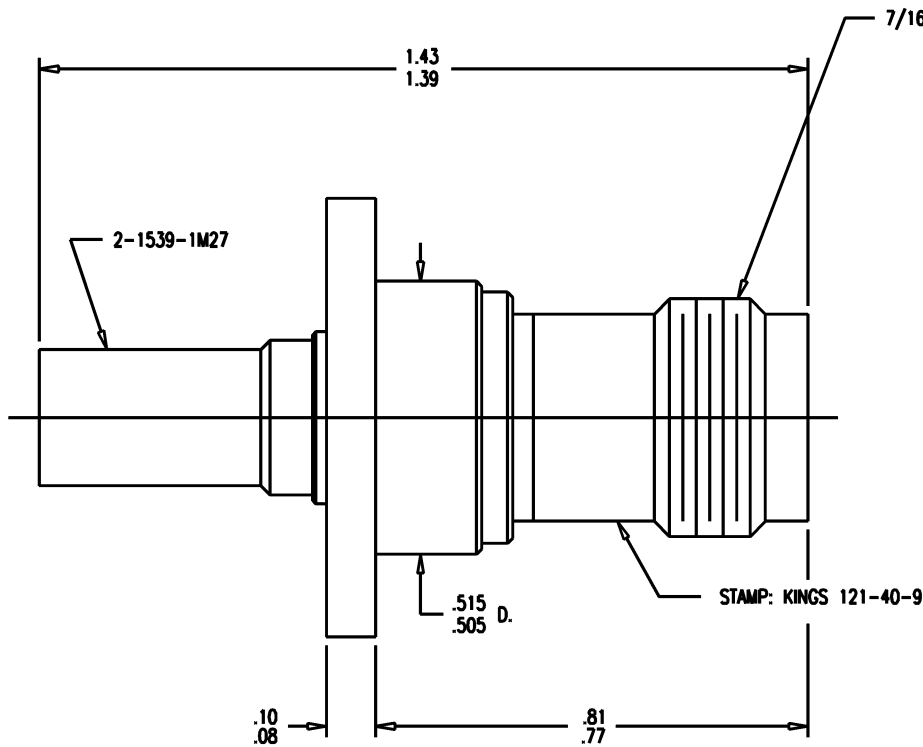


GSD



121-40-9

NOTES:

- FOR USE WITH BOEING S280W503-2 & ADAMS RUSSELL FC142 CABLE.
- FOR CABLING INSTRUCTIONS SEE 3-546-1.
- FOR CRIMPING USE DIE KTH-2161.
- INTERFACE PER MIL-STD-348, FIG. 313-2.
- CENTER CONTACT (1-507-38MA9) SUPPLIED UNASSEMBLED.
- FOR USE WITH .25 MAX. PANEL.
- MARK PACKAGE: KINGS 121-40-9
XX XX (DATE CODE)
- MATERIALS:
INSULATORS: TEFLON, ASTM-D-1457
K-GRIP SLEEVE: COMMERCIAL BRONZE, ALLOY 220
CENTER CONTACT: BER. COP., ASTM-B-196
ALL OTHER METAL PARTS: BRASS, ASTM-B16
- FINISHES:
CENTER CONTACTS: GOLD PLATE PER MIL-G-45204
ALL OTHER METAL PARTS: KINGS TARNISH RESISTANT FINISH (TR-5)
- ELECTRICAL CHARACTERISTICS:
NOMINAL IMPEDANCE: 50 OHMS
FREQUENCY RANGE: DC TO 11 GHZ
WORKING VOLTAGE: 500 VRMS

REVISIONS

ISSUE	CHANGES
0	ER 34067 KH 08/1292

KAM2209

SCALE 4:1	
APPROX SURFACE AREA	
WAS: E-17603	
USED ON	
REF: BOEING	
JACK, PANEL, ISOLATED GROUND, TNC	
DRAWN KH	DATE 08/12/92
DESIGN JT	DATE 08/13/92
APPR.	DATE

KINGS
ELECTRONICS CO., INC.
TUCKAHOE, NEW YORK 10707

121-40-9

GSD