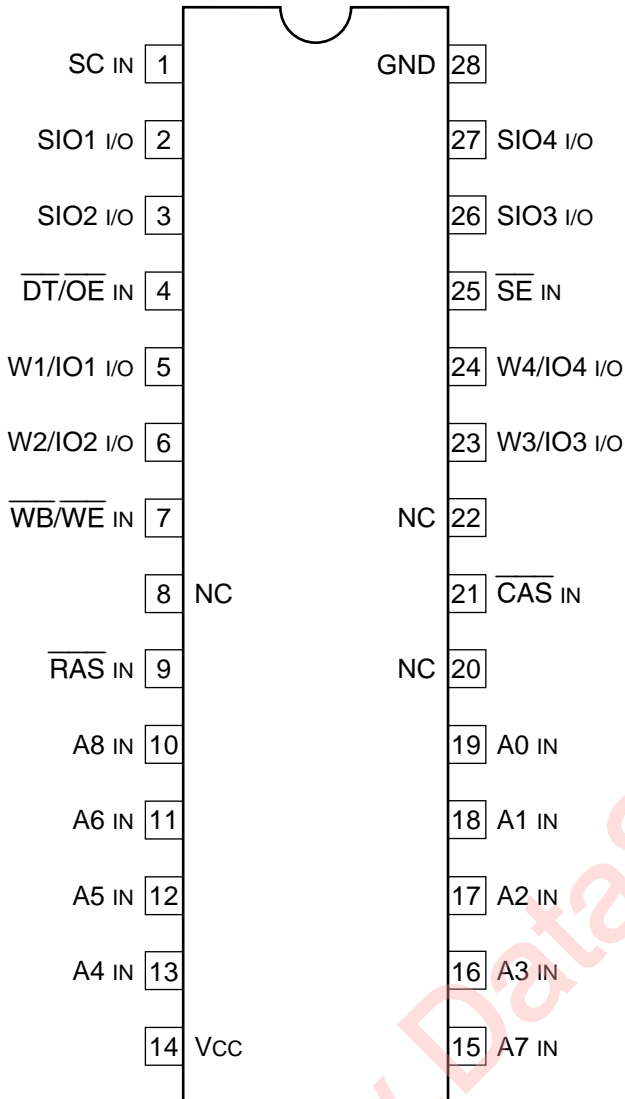


C-MOS 1M (262,144 WORD × 4)-BIT MULTIPOINT DRAM

—TOP VIEW—

**INPUT**

| | |
|--------------------|-------------------------------|
| A0 - A8 | : ADDRESS |
| \overline{CAS} | : COLUMN ADDRESS STROBE |
| $\overline{DT/OE}$ | : DATA TRANSFER/OUTPUT ENABLE |
| \overline{RAS} | : ROW ADDRESS STROBE |
| SC | : SERIAL CLOCK |
| \overline{SE} | : SERIAL ENABLE |
| $\overline{WB/WE}$ | : WRITE PER BIT/WRITE ENABLE |

INPUT/OUTPUT

| | |
|-----------------|-------------------|
| SIO1 - SIO4 | : SERIAL DATA |
| W1/IO1 - W4/IO4 | : WRITE MASK/DATA |