

FEATURES AND SPECIFICATIONS

Features and Benefits

- Sizes 2 to 25 circuits
- Used primarily for remote interconnections
- Locking crown secures positive latch to connector
- Polarization slots guide front ribs of mating connector to prevent pin damage
- Mounting ears for insertion into .030 to .090" thick panels
- Mates modular branch pin assemblies to single connector assembly

Reference Information

Packaging: Bag
 UL File No.: E29179
 CSA File No.: LR19980
 Mates With: 70066G, 70066N, 70400G and 70430G front side, and 70066D and 70475D pin assemblies back side
 Designed In: Inches

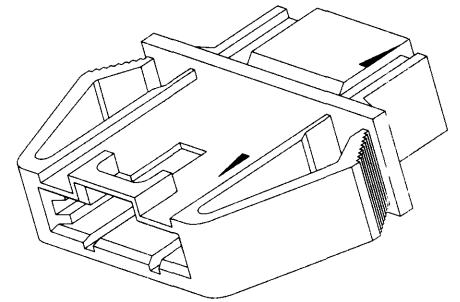


2.54mm (.100") Pitch

SL™

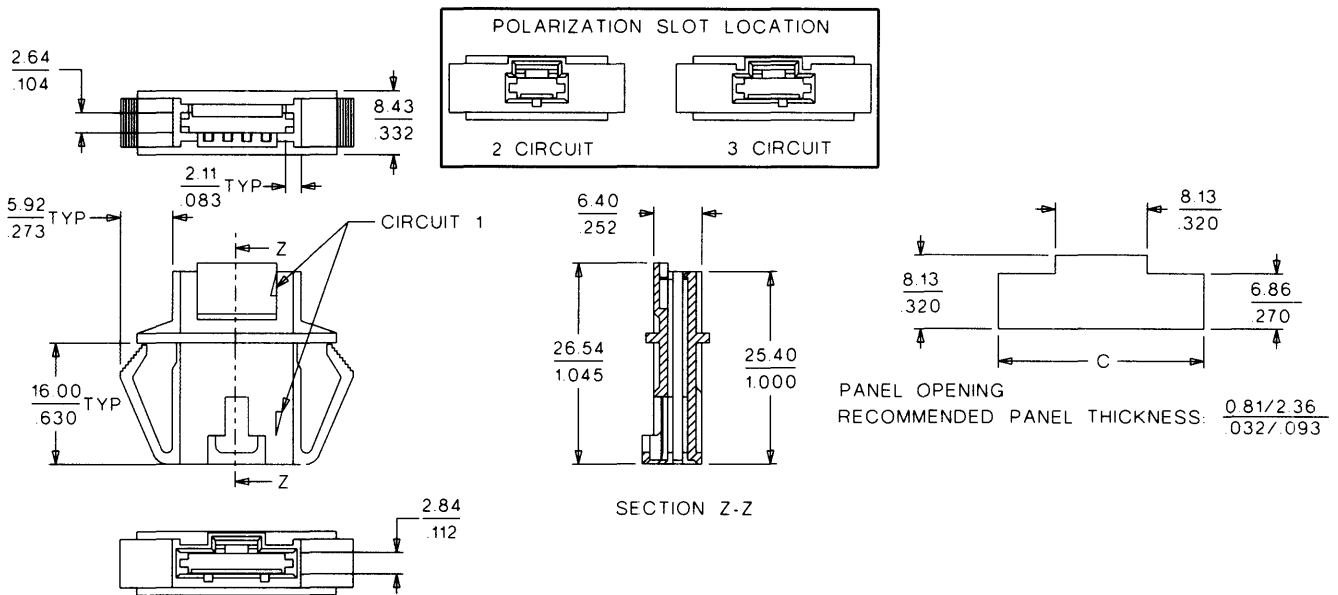
**Wire-to-Wire
 Panel Mount Connector**

**70018
 Single Row
 Modular Branch**



Not For Use With C-Grid III™ Components

CATALOG DRAWING (FOR REFERENCE ONLY)



ORDERING INFORMATION AND DIMENSIONS

Circuits	Order No.	Dimension
		Panel Opening C
2	• 50-65-0202	15.87 (1.625)
3	• 50-65-0203	18.41 (1.725)
4	• 50-65-0204	20.95 (1.825)
5	• 50-65-0205	23.49 (1.925)
6	• 50-65-0206	26.03 (1.025)
7	• 50-65-0207	28.57 (1.125)
8	• 50-65-0208	31.11 (1.225)
9	• 50-65-0209	33.65 (1.325)
10	• 50-65-0210	36.19 (1.425)
11	• 50-65-0211	38.73 (1.525)
12	• 50-65-0212	41.27 (1.625)
13	• 50-65-0213	43.81 (1.725)

Circuits	Order No.	Dimension
		Panel Opening C
14	• 50-65-0214	46.35 (1.825)
15	• 50-65-0215	48.89 (1.925)
16	• 50-65-0216	51.43 (2.025)
17	• 50-65-0217	53.97 (2.125)
18	• 50-65-0218	56.51 (2.225)
19	• 50-65-0219	59.05 (2.325)
20	• 50-65-0220	61.59 (2.425)
21	• 50-65-0221	64.13 (2.525)
22	• 50-65-0222	66.67 (2.625)
23	• 50-65-0223	69.21 (2.725)
24	• 50-65-0224	71.75 (2.825)
25	• 50-65-0225	74.29 (2.925)

• US Standard Product, available through Molex franchised distributors