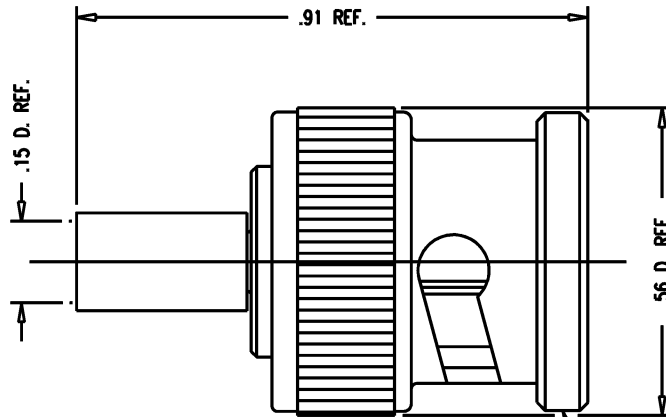


SD

755-129-9



STAMP: KINGS 755-129-9 YYWW (DATE CODE)

NOTES:

1. FOR USE WITH RG-174 & 188/U CABLE.
2. FOR CABLING INSTRUCTIONS SEE CP-406.
3. FOR CRIMPING USE DIE KTH-2032.
4. INTERFACE PER MIL-STD-348, FIG. 301-1.
5. MATERIALS:
 - INSULATORS: TEFLON, ASTM-D-4894
 - K-GRIP SLEEVE: COM. BRONZE ASTM-B140
 - GASKET: SILICONE RUBBER, A-A-59588 CLASS IB
 - CENTER CONTACT } BER. COPPER, ASTM-B196
 - OUTER CONTACT } BER. COPPER, ASTM-B196
 - SPRING WASHER } BER. COPPER, ASTM-B196
 - ALL OTHER METAL PARTS: BRASS, ASTM-B16
6. FINISHES:
 - SPRING WASHER: SILVER PLATE, PER ASTM-B700
 - CRIMP & CENTER CONTACT: HARD GOLD PLATE, PER ASTM-B488
 - ALL OTHER METAL PARTS: KINGS TARNISH RESISTANT FINISH (TR-5)
7. ELECTRICAL CHARACTERISTICS:
 - NOMINAL IMPEDANCE: 50 OHMS
 - WORKING VOLTAGE: 500 VRMS
 - FREQUENCY RANGE: DC TO 4 GHz.

REVISIONS

ISSUE	CHANGES
0	ER 39377 AM 12/16/05

SCALE 4:1

APPROX SURFACE AREA

USED ON

REF:

PLUG, BNC

DRAWN	AM	DATE	10/25/05
-------	----	------	----------

DESIGN	AM	DATE	10/25/05
--------	----	------	----------

APPR.		DATE	
-------	--	------	--

KINGS
ELECTRONICS CO., INC.
ROCK HILL, SOUTH CAROLINA 29730

755-129-9

SD