



ADSL LINE TRANSFORMER SURFACE MOUNT MAGNETICS

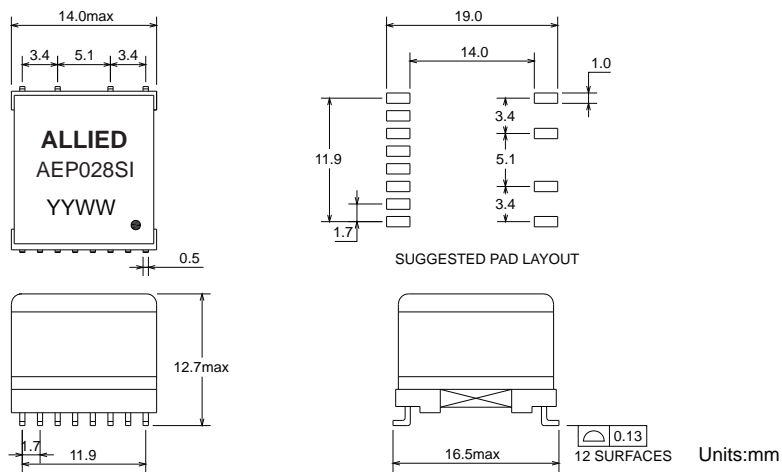
- EN60950 Basic Insulation compliant 250Vrms
- SMD compact foot print design
- Industrial operating temp: -40°C to +85°C

Electrical Specifications @25°C

Part Number	Turns Ratio (10KHz,0.1V)		OCL (10KHz,0.1V)	LL (100KHz,0.1V)		Cww (100KHz,0.1V)		
	AEP028SI	16-9:1-4 (short 11-14,2-3)	16-9:5-8 (short 11-14,6-7)	16-9 (short 11-14)	16-9 (short 11-14,1-2-3-4)	16-9 (short 11-14,5-6-7-8)	1-16 (short 1-2-3-4, 11-14)	9-8 (short 11-14,5-6-7-8)
4:1 ±2%		2:1 ±2%	700uH ±10%	35uH max	35uH max	50pF max	50pF max	
Continue								
DCR			THD (120KHz,3.6Vrms)		LB (35KHz~650KHz)		Hi-Pot 1mA/2s (Vrms)	
16-9 (short 11-14)		1-4 (short 2-3)	5-8 (short 6-7)	-85dB max		55dB min		3000

All specifications subject to change without notice.

MECHANICAL



Unless otherwise specified all tolerances are: ±0.25 in mm

SCHEMATICS

