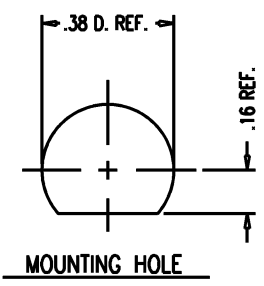
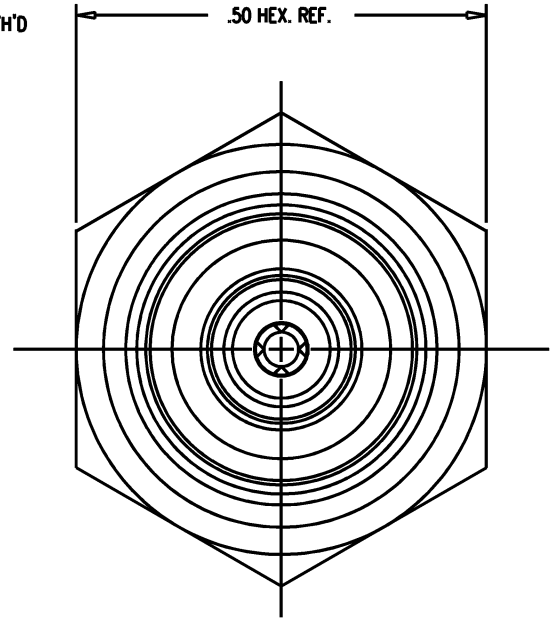
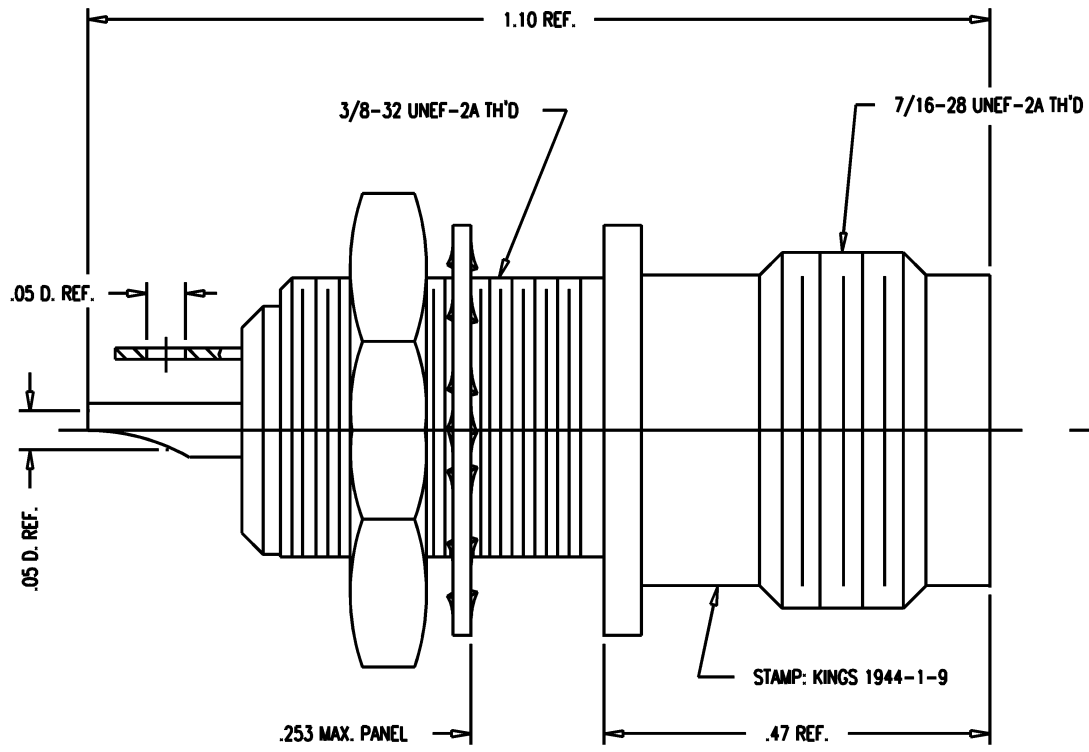


DASH NO.	M CODE	MADE FROM
----------	--------	-----------

# GSD

1944-1-9

REVISIONS	
ISSUE	CHANGES
5	CN 32735 A REDRAWN WJM 12/07/90
6	CN 35886 E KH 11/16/94
7	CN 36666 C KH 11/14/95



**NOTES:**

- INTERFACE PER MIL-STD-348, FIG. 202-2.
- MATERIALS:  
INSULATORS: TEFLON, ASTM-D-4894  
CENTER CONTACT: BER. COPPER, ASTM-B-196  
LOCKWASHER: PHOSPHOR BRONZE, ASTM-B-103  
ALL OTHER METAL PARTS: BRASS, ASTM-B16
- FINISHES:  
CENTER CONTACT: HARD GOLD PLATE, PER MIL-G-45204  
INTER. CONTACT: NICKEL PLATE, QQ-N-290  
ALL OTHER METAL PARTS: KINGS TARNISH RESISTANT NICKEL FINISH (TR-5)
- ELECTRICAL CHARACTERISTICS:  
WORKING VOLTAGE: 400 VRMS  
FREQUENCY RANGE: DC TO 500 MHZ.

SCALE 6:1

APPROX SURFACE AREA

USED ON

REF:

RECEPTACLE, BULKHEAD, TRT

DRAWN WJM 10/07/90

DESIGN CT 03/07/90

APPR. JT 03/07/90

**KINGS**  
ELECTRONICS CO., INC.  
TUCKAHOE, NEW YORK 10707

1944-1-9

# GSD

WJM0652