

**PLEASE CHECK WWW.MOLEX.COM FOR LATEST PART INFORMATION**

**Part Number:** [0442450040](#)  
**Status:** **Active**  
**Description:** 1.27mm (.050") Pitch SliderZ™ Board-to-Board Connector, Hermaphroditic

**Documents:**

[3D Model](#) [Product Specification PS-44245-999 \(PDF\)](#)  
[Drawing \(PDF\)](#) [RoHS Certificate of Compliance \(PDF\)](#)  
[Packaging Specification \(PDF\)](#)

**General**

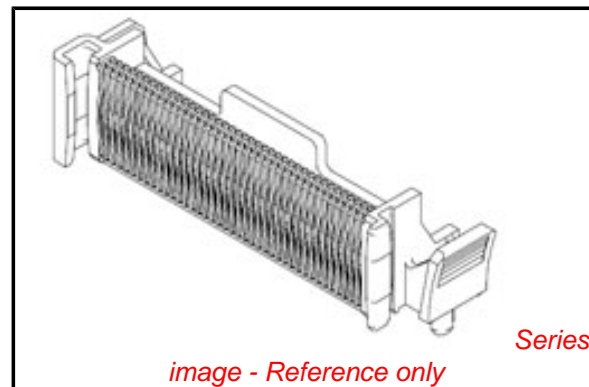
Product Family PCB Headers  
 Series [44245](#)  
 Application Board-to-Board  
 Product Name SliderZ™

**Physical**

Breakaway No  
 Circuits (Loaded) 40  
 Circuits (maximum) 40  
 Durability (mating cycles max) 1,000  
 First Mate / Last Break No  
 Glow-Wire Compliant No  
 Guide to Mating Part No  
 Keying to Mating Part None  
 Lock to Mating Part No  
 Material - Metal High Performance Alloy (HPA)  
 Material - Plating Mating Gold  
 Material - Plating Termination Tin  
 Number of Rows 2  
 Orientation Vertical  
 PC Tail Length (in) 0.120 In  
 PC Tail Length (mm) 3.05 mm  
 PCB Locator Yes  
 PCB Retention Yes  
 PCB Thickness Recommended (in) 0.056 In  
 PCB Thickness Recommended (mm) 1.42 mm  
 Packaging Type Tray  
 Pitch - Mating Interface (in) 0.050 In  
 Pitch - Mating Interface (mm) 1.27 mm  
 Pitch - Term. Interface (in) 0.050 In  
 Pitch - Term. Interface (mm) 1.27 mm  
 Plating min: Mating (µin) 30  
 Plating min: Mating (µm) 0.75  
 Plating min: Termination (µin) 120  
 Plating min: Termination (µm) 3  
 Polarized to Mating Part Yes  
 Polarized to PCB No  
 Shrouded Fully  
 Stackable No  
 Surface Mount Compatible (SMC) No  
 Temperature Range - Operating -40°C to +85°C  
 Termination Interface: Style Through Hole

**Electrical**

Current - Maximum per Contact 1.25A  
 Voltage - Maximum 30V AC (RMS)



**EU RoHS**

**ELV and RoHS  
 Compliant**  
**REACH SVHC  
 Not Reviewed**  
**Halogen-Free  
 Status  
 Not Reviewed**

**China RoHS**



**Need more information on product  
 environmental compliance?**

Email [productcompliance@molex.com](mailto:productcompliance@molex.com)  
 For a multiple part number RoHS Certificate of  
 Compliance, [click here](#)

Please visit the [Contact Us](#) section for any  
 non-product compliance questions.

**Search Parts in this Series**  
[44245Series](#)

## Material Info

### Reference - Drawing Numbers

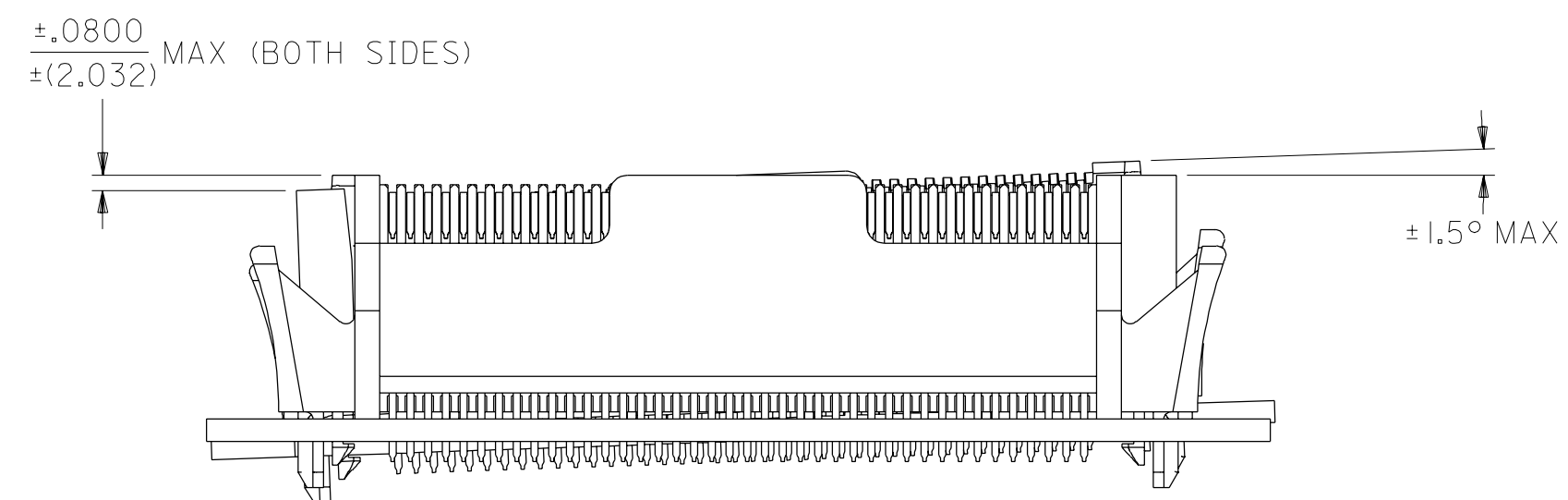
Packaging Specification	PK-44245-001, PK-44783-001
Product Specification	PS-44245-999
Sales Drawing	SD-44245-002, SD-44783-001
Test Summary	TS-44245-999

This document was generated on 06/07/2010

**PLEASE CHECK [WWW.MOLEX.COM](http://WWW.MOLEX.COM) FOR LATEST PART INFORMATION**

**NOTES:**

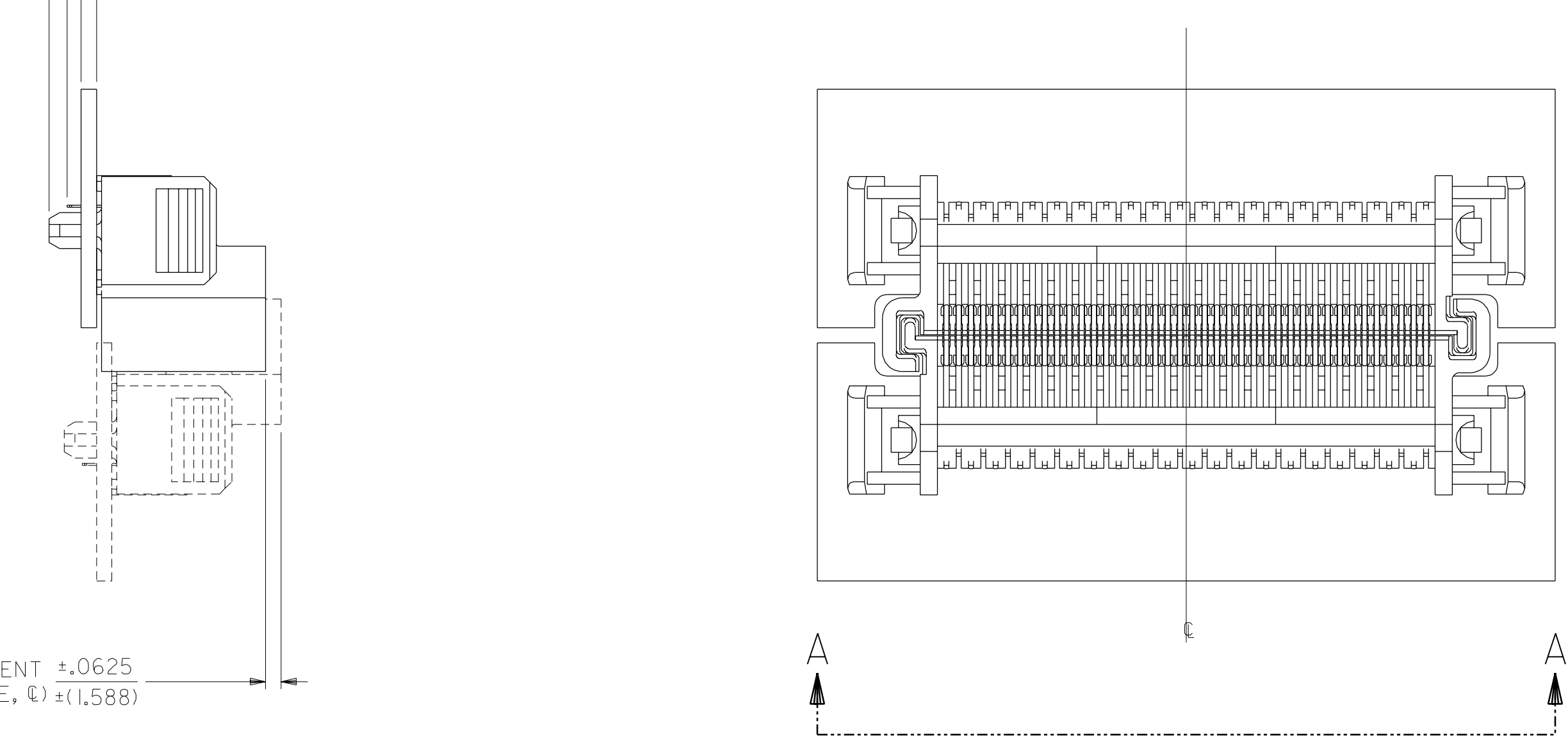
- MATERIAL:  
HOUSING: GLASS FILLED POLYESTER, UL94V-0; COLOR = BLACK  
CONTACTS: COPPER ALLOY
- FINISH: .000030/(0.00076) MIN. GOLD ON CONTACTS, .000080/(0.00203) MIN. TIN ON SOLDER TAILS, OVER .000050/(0.00127) MIN. NICKEL OVERALL.  
\* THE PRIMARY SHIPPING CARTON WILL BE LABELED "COMPLIANT TO ROHS DIRECTIVE 2002/95/EC AND ELV ANNEX I OF DIRECTIVE 2000/53/EC" CARTONS WITHOUT THIS LABEL MAY CONTAIN PRODUCT WITH TIN-LEAD IN THE PC TAIL AREA
- PRODUCT SPECIFICATION: PS-44245-999.
- THE HOLES FOR THE BOARD LOCKS SHALL NOT BE PLATED THRU.
- COPPER TRACES NOT RECOMMENDED BENEATH THE STAND-OFF'S.



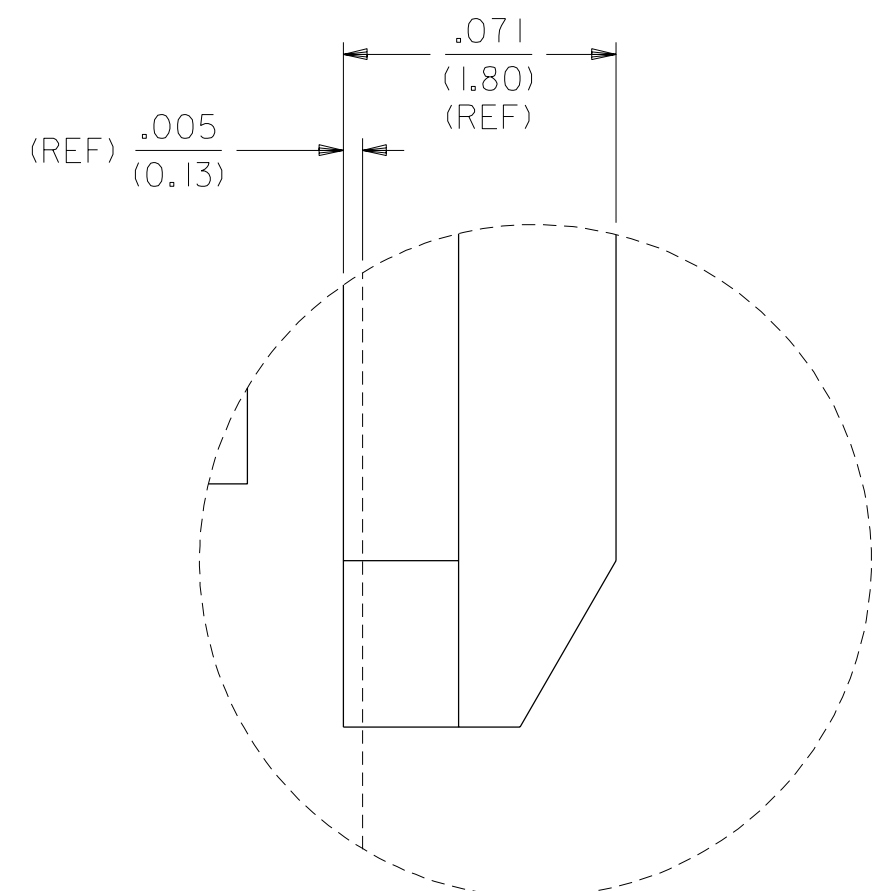
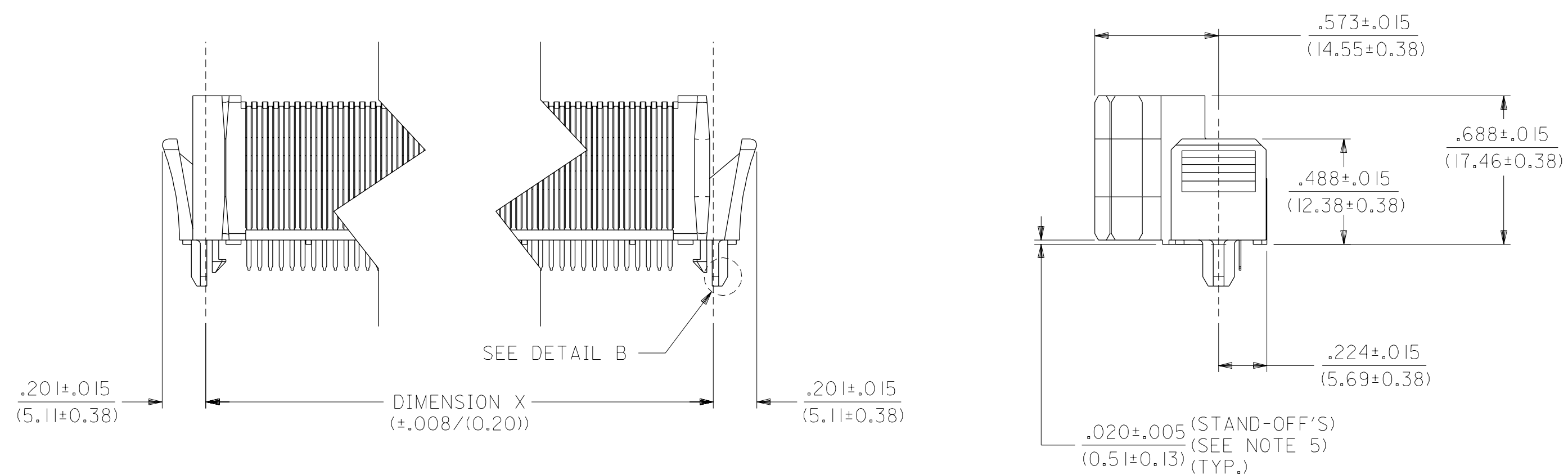
**VIEW A-A**

(ALLOWANCE FOR ANGULAR MISALIGNMENT)  
(BOTH LIMIT CONDITIONS MUST BE MET)

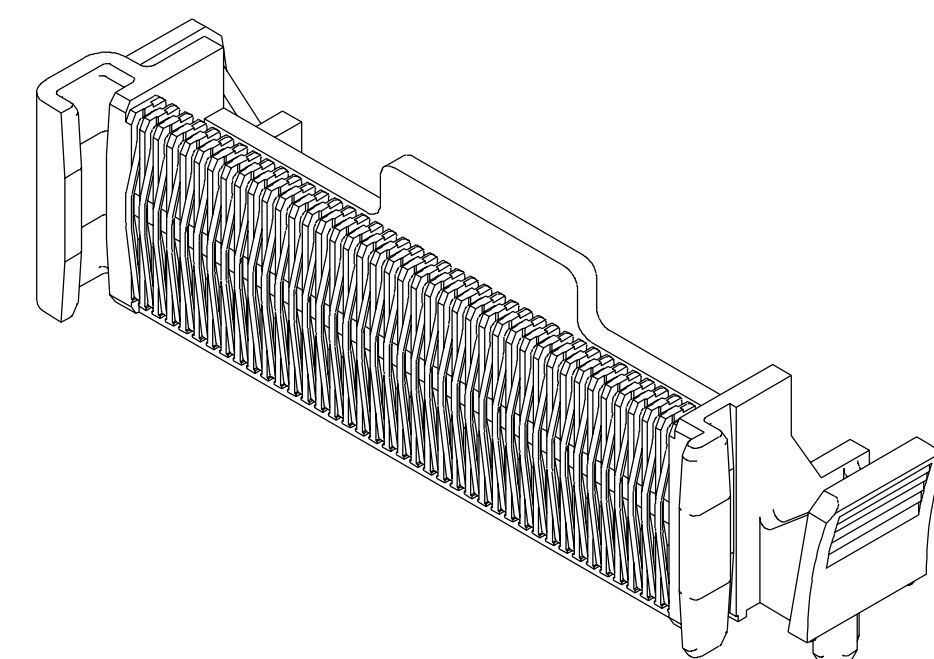
- .056-.065 (P.C.B. THICKNESS)  
(1.422-1.651)
- .193±.015 (P.C.B. LOCATION/LOCKING PEG)  
(4.91±0.38) (2-PL)
- .120±.020 (SOLDER TAIL LENGTH)  
(3.05±0.51) (TYP)



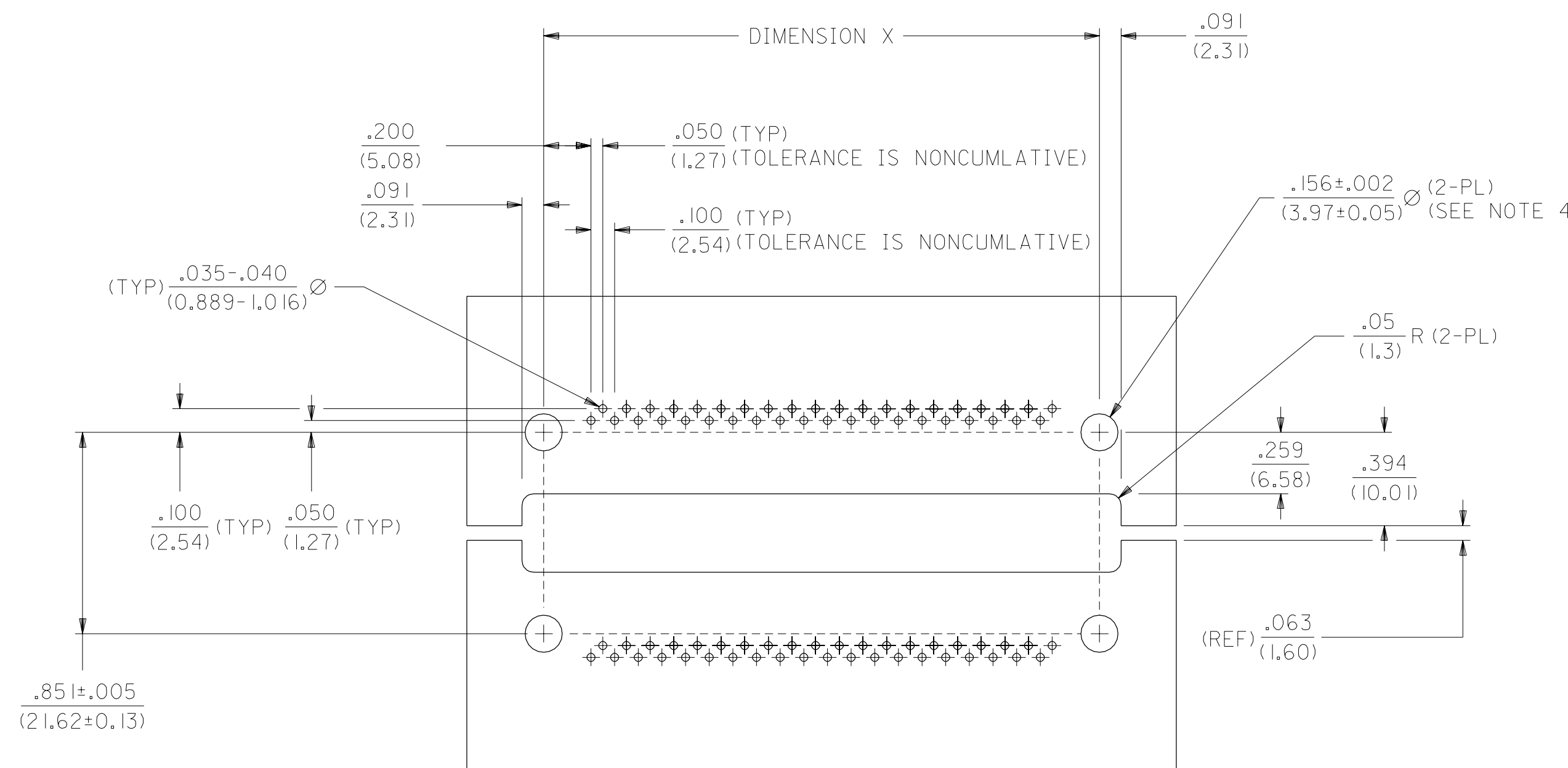
MAXIMUM LINEAR MISALIGNMENT ±.0625  
(TAKE THIS MEASUREMENT AT THE CENTERLINE, C) ±(1.588)



**DETAIL B**  
(SCALE 20:1)



ISOMETRIC PROJECTION OF 442450040  
(FORTY CIRCUITS)



**RECOMMENDED LAYOUT FOR P.C.B.'S**  
(FORTY CIRCUIT CONFIGURATION IS PROTRAYED)

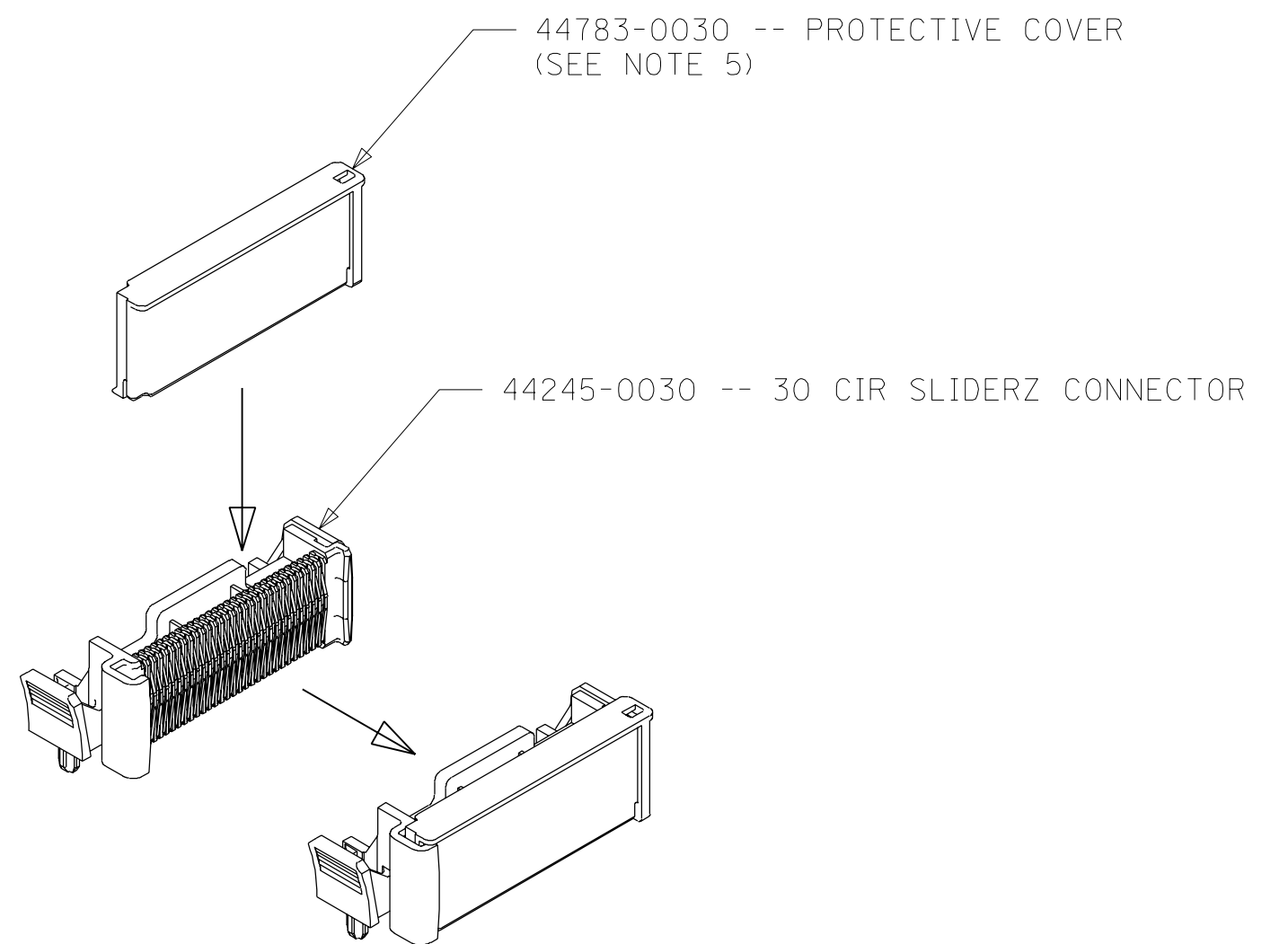
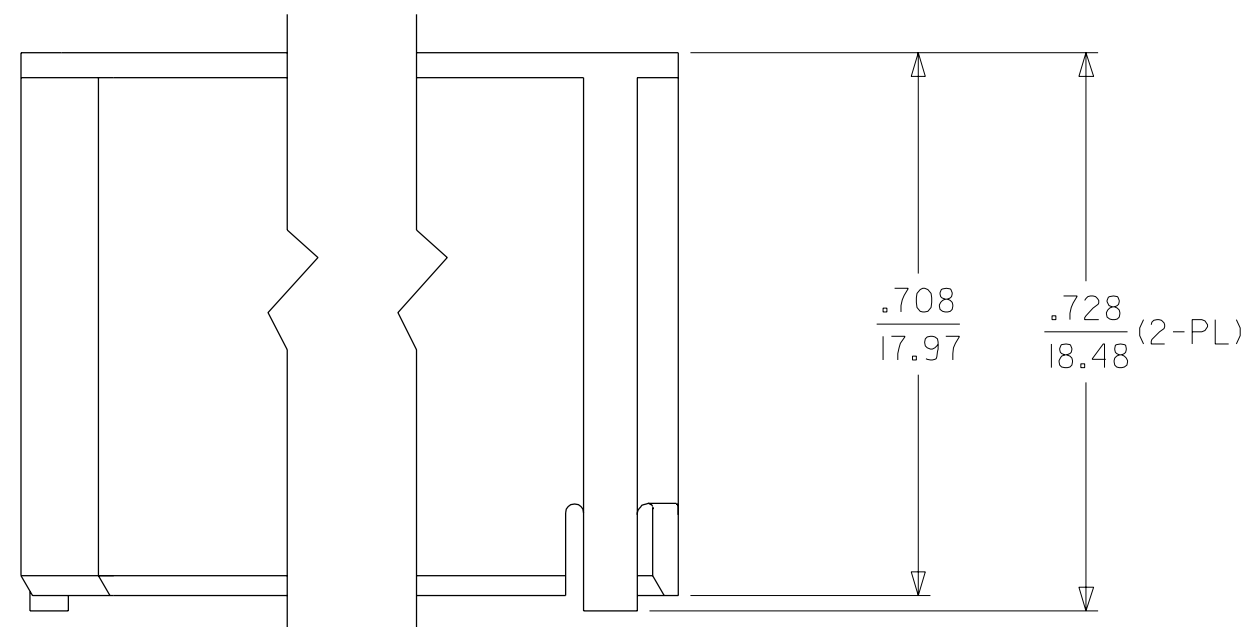
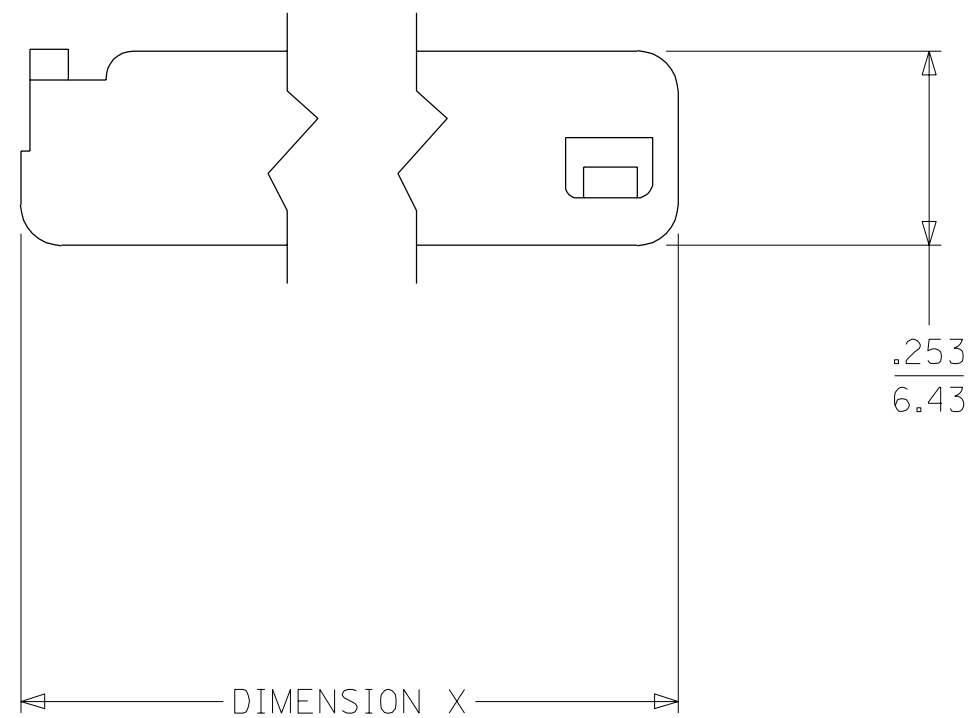
MATERIAL NUMBER	CIRCUIT SIZE	DIMENSION X
442450010	10	.850/(21.59)
442450020	20	1.350/(34.29)
442450030	30	1.850/(46.99)
442450040	40	2.350/(59.69)
442450050	50	2.850/(72.39)
442450060	60	3.350/(85.09)

REVISED C	EC NO. UCP2004-2332 DRWN:PELOZA 04/05/21 CHK:PELOZA 04/05/21 APPR:COMERCI 04/05/21	QUALITY SYMBOLS MAJOR = 0 CRITICAL = 0	GENERAL TOLERANCES: (UNLESS SPECIFIED)		SCALE 2 : 1	DESIGN UNITS <input type="checkbox"/> mm <input checked="" type="checkbox"/> INCH	THIRD ANGLE PROJECTION <input type="checkbox"/> mm <input checked="" type="checkbox"/> INCH ONLY	SHT REV				
			4 PLACES ±0.--- ±.---	3 PLACES ±0.--- ±.003	2 PLACES ±0.08 ±.010	1 PLACE ±0.25 ±.---			DRAWN BY & DATE PELOZA 99/01/25	CHECKED BY & DATE PELOZA 99/01/25	APPROVED BY & DATE COMERCI 99/01/25	TITLE: PASS THRU CONNECTOR ASSEMBLY HERMAPHRODITIC MATE MOLEX INCORPORATED
			ANGULAR: ±1/2 °						CAD FILENAME			
			DRAFT WHERE APPLICABLE MUST REMAIN WITHIN DIMENSIONS						THIS DRAWING CONTAINS INFORMATION THAT IS PROPRIETARY TO MOLEX INCORPORATED AND SHOULD NOT BE USED WITHOUT WRITTEN PERMISSION.			
DIMENSIONS: <input type="checkbox"/> mm <input checked="" type="checkbox"/> INCH		DRAWING NO. SEE CHART SD -44245-002		SHEET NO. 1 OF 1		SIZE D						

NOTES:

1. MATERIAL: 66 NYLON, COLOR = BLACK.
2. FINISH: NOT APPLICABLE.
3. PRODUCT SPECIFICATION: NOT APPLICABLE.
4. DIMENSIONS AND FEATURES PLACED ACROSS A CENTERLINE TO BE SYMMETRIC ABOUT THAT CENTERLINE TO WITHIN .004"/0.10mm TOTAL.
5. THE PROTECTIVE COVER IS CAREFULLY PUSHED ONTO THE SLIDERZ CONNECTOR UNTIL THE LATCHING MEMBERS ENGAGE, WHICH IS SIGNALLED BY A "SNAP."

MATERIAL NUMBER	DIMENSION X	DESCRIPTION
447830010	.856"/21.74mm	PROTECTIVE COVER FOR THE 10 CIRCUIT SLIDERZ
447830020	1.356"/34.44mm	CONTACT FACTORY FOR AVAILABILITY -- PROTECTIVE COVER FOR THE 20 CIRCUIT SLIDERZ
447830030	1.856"/47.14mm	CONTACT FACTORY FOR AVAILABILITY -- PROTECTIVE COVER FOR THE 30 CIRCUIT SLIDERZ
447830040	2.356"/59.84mm	CONTACT FACTORY FOR AVAILABILITY -- PROTECTIVE COVER FOR THE 40 CIRCUIT SLIDERZ
447830050	2.856"/72.54mm	CONTACT FACTORY FOR AVAILABILITY -- PROTECTIVE COVER FOR THE 50 CIRCUIT SLIDERZ
447830060	3.356"/85.24mm	CONTACT FACTORY FOR AVAILABILITY -- PROTECTIVE COVER FOR THE 60 CIRCUIT SLIDERZ



ISOMETRIC PROJECTION OF 44783 AND ITS APPLICATION (NO SCALE)

REVISED B	EC NO. UCP2003-0626 DRWN:PELOZA 02/10/11 CHK:PELOZA 02/10/11 APPR:COMERCI 02/10/11	DESCRIPTION	QUALITY SYMBOLS	GENERAL TOLERANCES: (UNLESS SPECIFIED)	SCALE 4 : 1	DESIGN UNITS <input type="checkbox"/> mm <input checked="" type="checkbox"/> INCH	THIRD ANGLE PROJECTION <input checked="" type="checkbox"/>	DIMENSIONS: <input type="checkbox"/> mm <input checked="" type="checkbox"/> INCH <input type="checkbox"/> mm ONLY	SHT	REV
			MAJOR $\nabla=0$	mm	INCH	DRAWN BY & DATE	TITLE: PROTECTIVE COVER FOR SLIDERZ			
			CRITICAL $\nabla C=0$	4 PLACES ±0.--- ±.---	3 PLACES ±0.--- ±.010	CHECKED BY & DATE	MOLEX INCORPORATED			
				2 PLACES ±0.25 ±.015	1 PLACE ±0.38 ±.---	APPROVED BY & DATE	MATERIAL NO.	DRAWING NO.	SHEET NO.	
		ANGULAR: ±1 °	CAD FILENAME	SEE CHART SD -44783-001		1 OF 1	THIS DRAWING CONTAINS INFORMATION THAT IS PROPRIETARY TO MOLEX INCORPORATED AND SHOULD NOT BE USED WITHOUT WRITTEN PERMISSION.		SIZE C	
		DRAFT WHERE APPLICABLE MUST REMAIN WITHIN DIMENSIONS								