

New Jersey Semi-Conductor Products, Inc.

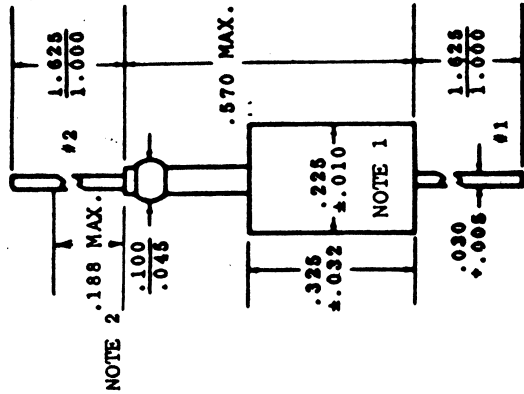
20 STERN AVE.
 SPRINGFIELD, NEW JERSEY 07081
 U.S.A.

TELEPHONE: (201) 376-2922
 (212) 227-6005
 FAX: (201) 376-8960

SWITCHING DIODES/RECTIFIERS

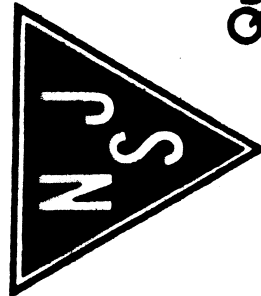
TYPE No.	PIV	RECOVERY TIME			MAX. TEMP (°C)	DESCRIPTION	
		trr	Vr	Ir		MAT.	DRAWING No.
1N4824	(M) 200 †	(S) 100nZ	(A) 1	(A) 1	170A	Si	DO13

DO13



NOTES: (for DO13)

1. The major diameter is essentially constant along its length.
2. Within this zone diameter may vary to allow for lead finishes and irregularities.
3. Dimension to allow for pinch or seal deformation anywhere along tabulation.



Quality Semi-Conductors