

MAFRIN0495



Single Junction Circulator 860 MHz—872 MHz

Rev. B

Applications

- ◆ Wireless Infrastructure
- ◆

Features

- ◆ RoHS Compliant
- ◆ BeO free

Electrical Specifications

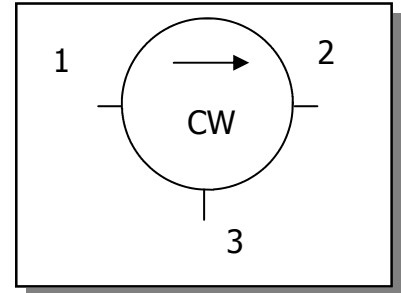
Parameter	Conditions	Units	Min	Typ	Max
Frequency Range		MHz	860		872
Impedance		Ω		50	
Insertion Loss		dB			0.25
Isolation		dB	23		
VSWR					1.15:1

1. All specifications guaranteed over the operating temperature range unless otherwise stated.
2. See Application Note ANI-001 for further details.

Absolute Maximum Ratings

Parameter	Conditions	Units	Min	Max
Input Power		W		1000
Reverse Power		W		500
Operating Temperature Range		$^{\circ}\text{C}$	-10	+85
Storage Temperature Range		$^{\circ}\text{C}$	-55	+125

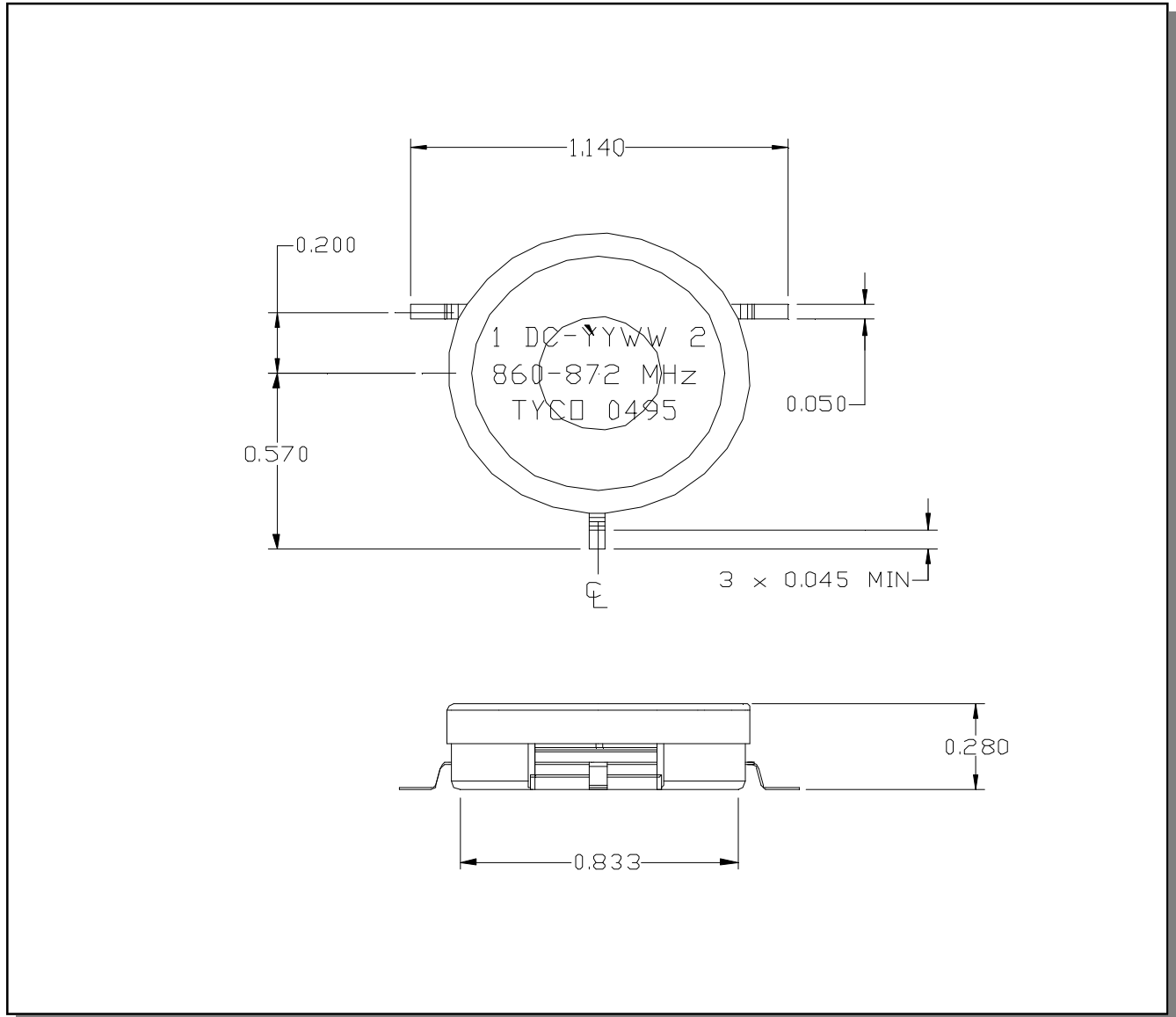
Block Diagram



Application Notes Available

Application Note	Description
ANI-001	IMD Measurement of Ferrite Isolators and Circulators
ANI-003	Maximum Peak Power of Ferrite Junctions
ANI-004	Base Plate Temperature of Ferrite Isolators and Circulators
ANI-007	Reflow Soldering Guidelines
ANI-008	Curie Temperature of Isolators and Circulators
ANI-009	Tape and Reel Information for Isolators and Circulators

Outline Drawing



1. Dimensions in inches.
2. Tolerance: ± 0.020 " unless otherwise noted.
3. Lead thickness is 0.005".
4. Model number, lot code and port designation printed on top side of unit.

Plating

Section	Material	Plating
Leads	Copper	Silver
Housing	Steel	Tin

ECO History

Rev	Date	Description	By
B	6/01/2010	Create datasheet	BH