

6

5

4

3

2

1

MATERIAL AND FINISH:

Insulator: Polycarbonate, UL-94V-0 rated

Contacts: IEC C14, 70°C: Brass, Nickel plated

IEC C16, 120°C: Bronze, Nickel plated

ELECTRICAL SPECIFICATIONS:

Current rating: 10 A

Voltage rating: 250 VAC

ORDERING CODE:

42R04- $\frac{2}{1}$ $\frac{2}{2}$ $\frac{1}{2}$

1) ELECTRICAL CIRCUIT CONFIGURATION

1 = IEC C14, 10A 250V 70°C
2+GROUND



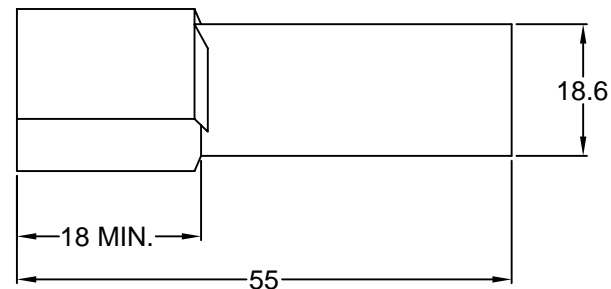
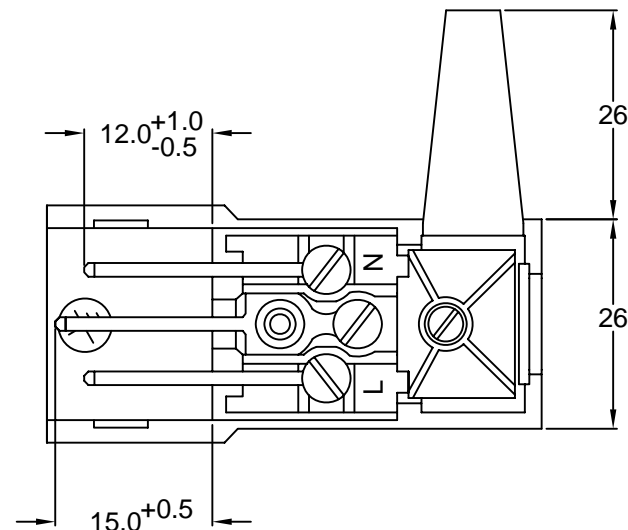
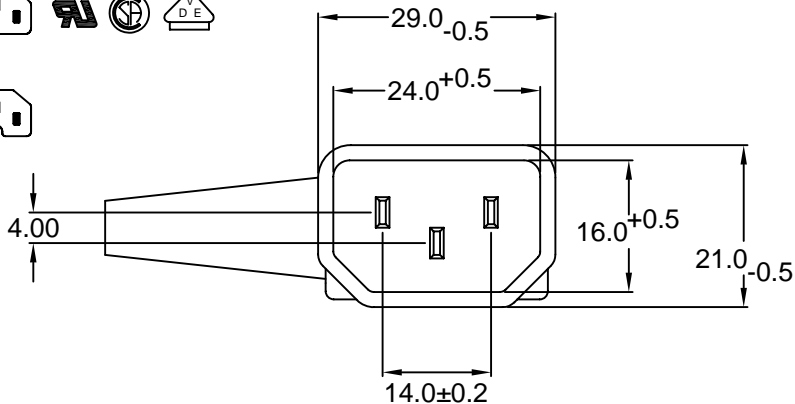
2 = IEC C16, 10A 250V 120°C
2+GROUND



2) COLOR

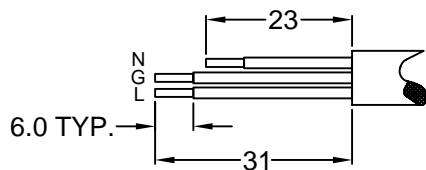
1 = BLACK

2 = GRAY



NOTES:

- 1. Contains integral cable clamp strain relief & internal screw type connections. Maximum wire gauge is 16AWG stranded.
- 2. Recommended screw torque: 1.2Nm
- 3. Recommended strip length for jacket and conductors:



RoHS COMPLIANT

REV	DATE	CHANGE	CHNG CHECK APPR		
			PB	DF	PB
A	1/25/07	ADD NOTES 2 & 3; RoHS	PB	DF	
B	11/10/08	29.0 ± 0.5 WAS 28.2 ± 0.3	PB	PB	
C	6/9/10	ADD C16 CONTACT MATERIAL	PB	PB	

TOLERANCE UNLESS OTHERWISE SPECIFIED	
X	± 1
X.X	± 0.4
X.XX	± 0.20
DRAWN BY	GQ
DATE:	08/17/01
CHECK BY	TD
DATE:	08/20/01
APPR BY	PB
DATE:	08/21/01

Power Dynamics, Inc.

Phone: 973 560-0019 Whippany, New Jersey Fax: 973 560-0076

PART: IEC 60320 C14 & C16 MALE POWER CORD PLUG; R/A RIGHT HANDED CONNECTION

42R04-X2X1 SHEET 1 of 1

SCALE: NTS ALL DIMENSIONS FOR REFERENCE ONLY DIMENSIONS ARE IN MILLIMETERS REV: C