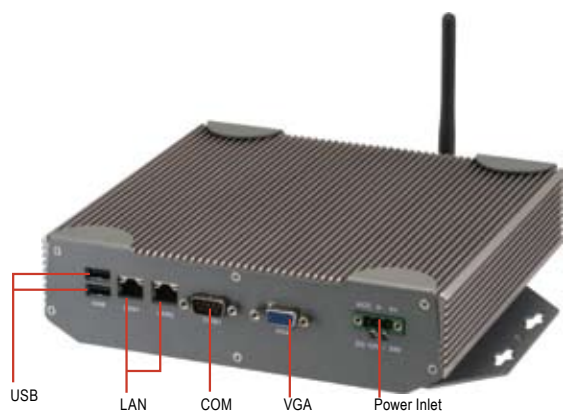
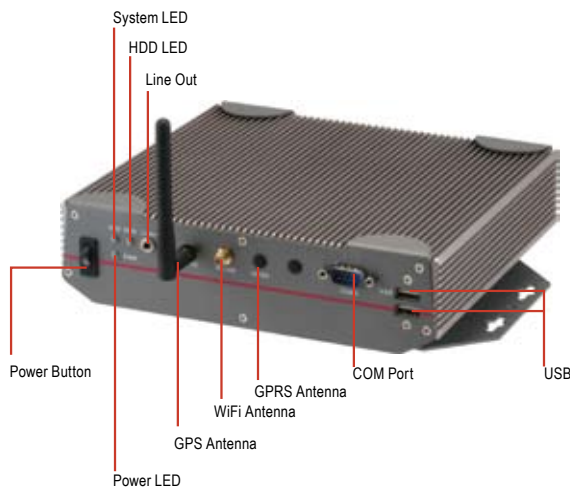


AEV-6312

In-Vehicle Embedded Controller With Intel® Atom™ D510 Processor



Features

- Fanless Design
- Intel® Atom™ D510 Processor
- Supports GPS Inside
- Programmable Power On Ignition/ Off Replay Control
- Over-voltage Protection
- Under-voltage Protection
- Reverse Protection
- Load Dump Protection



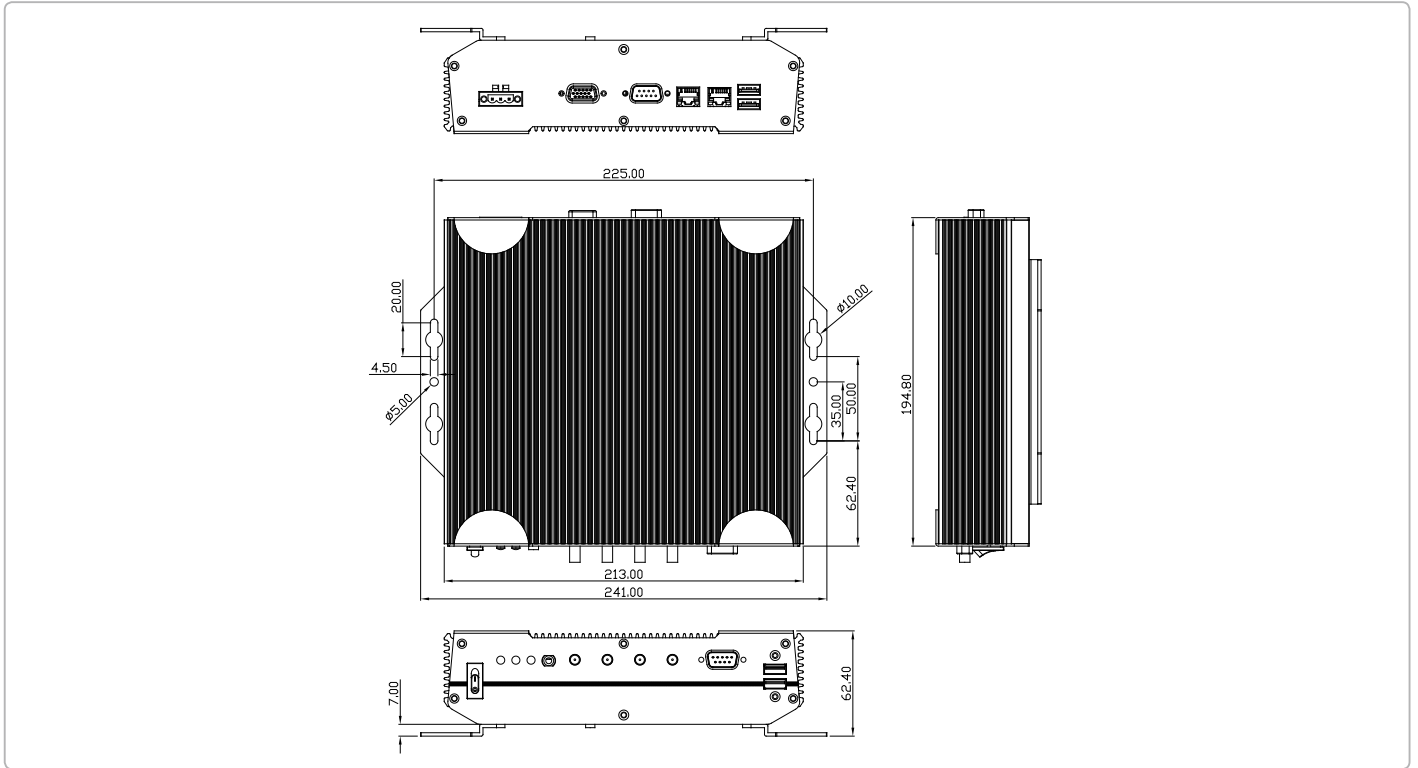
Specifications

CPU	Intel® Atom™ D510 1.6 GHz	
Chipset	Intel® ICH8M	
System Memory	200-pin DDR2 SODIMM x 1, Max. 2GB	
Display Interface	VGA	DB-15 x 1, shared system memory up to 384MB/ DVM T 4.0
	DVI	—
	Others	—
Storage Device	SSD	Type 2 CompactFlash™ Slot x 1
	HDD	SATA 1.5Gb/s HDD bay x 1
Network	LAN	Gigabit Ethernet
	Wireless	Optional by Mini card
Front I/O	USB Host	USB2.0 x 2
	LAN	—
	Serial Port	RS-232/422/485 x 1 (COM2)
	DIO	—
	Audio	Line-out x 1
	KB/MS	—
	Others	Power button x 1, SYS LED x 1, HDD LED x 1, SMA connector x 3
Rear I/O	USB Host	USB2.0 x 2
	LAN	RJ-45 x 2
	Serial Port	RS-232 x 1 (COM1)
	DIO	—
	Audio	—
	KB/MS	—
Expansion	Others	Power inlet x 1, VGA x 1
	PCIe (x1)	—
	PCI	—
	Mini Card	2
	Mini PCI	—
Indicator	Front	System LED x 1, HDD LED x 1
	Rear	—
	Power Requirement	DC 12/24V
Power Consumption	Intel® Atom™ D510 1.6GHz, 1.236A@+12V	
System Cooling	Passive cooling	
Mounting	Wallmount	
Operating Temperature	-4°F ~ 122°F (-20°C ~ 50°C) (No Airflow, SSD)	
	-4°F ~ 131°F (-20°C ~ 55°C) (Airflow, SSD)	
Storage Temperature	-4°F ~ 158°F (-20°C ~ 70°C)	
Anti-Vibration	Meets MIL-STD-810D-514.5C-1	
Anti-Shock	50 G peak acceleration (11 msec. duration) – SSD	
MTBF	—	
Certification	EMC	CE/FCC ClassB
	Safety	—
Dimension (W x H x D)	8.39" x 7.68" x 2.2" (213mm x 195mm x 56mm)	
Gross Weight	6.16 lb (2.8 Kg)	
Note	—	

AEV-6312

Dimension

Unit: mm



Ordering Information

- **TF-AEV-6312-A1-1010**
In-Vehicle Embedded Controller, Intel® Atom™ D510, 4 USB, 2 COM, GPS, Car Power Kit

Optional Accessories

- **97896660G**
GPS Antenna, SMA(M) Black 3M
- **3G Module**
- **WiFi 802.11 b/g/n Module**