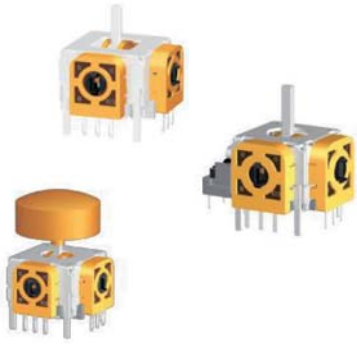


# Potentiometer

## Joystick Potentiometer

JPN10K Series



### FEATURES:

- » Potentiometer with 4 directions and centre push function.
- » Superior operational feeling free from gaps in operating directions, ideal for finger-tip operation.
- » Integrated tact switch for selection contributes to the improvement of user-friendliness of the set.

### ELECTRICAL CHARACTERISTICS

- » Total Resistance : 10KΩ~100KΩ
- » Total Resistance Tolerance : ±20%
- » Resistance Taper : B Taper
- » Rated Power : Taper B: 0.0125W
- » Withstand Voltage : 1 minute at AC 250V
- » Insulation Resistance :  
More than 100MΩ at DC 250V for 1 minute
- » Max. operating Voltage :  
Taper B: AC 50V or DC 5.0V
- » Sliding Noise : Less than 300mV

### MECHANICAL CHARACTERISTICS

- » Figure of lever operation : Circular Operating
- » Stopper Strength : 3.1 Kgf.cm Min 3 Sec.
- » Operating angle of lever : 60°±6°
- » Push-Pull Strength : Push/Pull:5.0 Kgf min 3 sec.
- » Operation Force : 300gf.cm Max
- » Accuracy of rest position : ±5°
- » Rotational Life : 1 Million Cycles Min

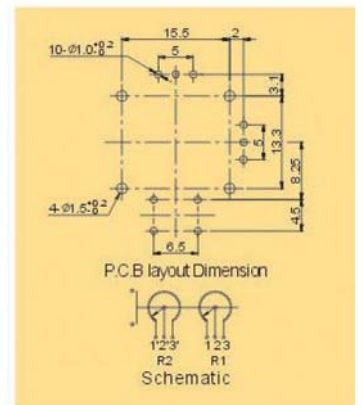
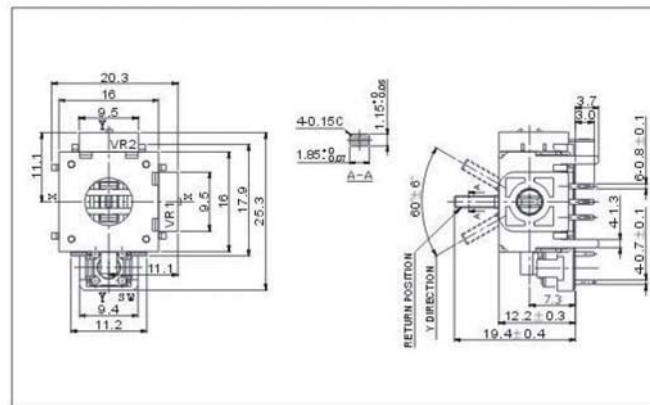
### TACT SWITCH SPECIFICATION

- » Ratings : 12V DC, 50mA
- » Operating Force : 820±260gf
- » Travel : 0.5+0.5/-0.4mm
- » Operating Life : 100,000 Min

Metal Shaft with Switch,  
Dual Unit, P. C. B. Terminal



JPN10K0...



### How to order:

JPN10K 1 2

**1** TYPE (see page 2 & page 3):  
... See page 2 & page 3

**2** TOTAL RESISTANCE:  
free text 10K ohm to 100K ohm  
(e.g. **10K** for 10K ohm)

# Potentiometer

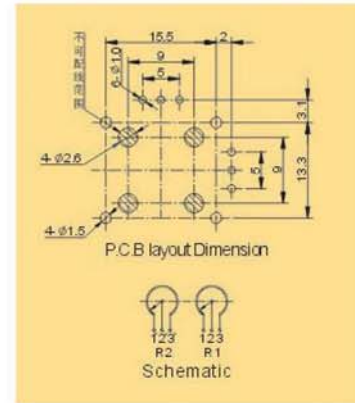
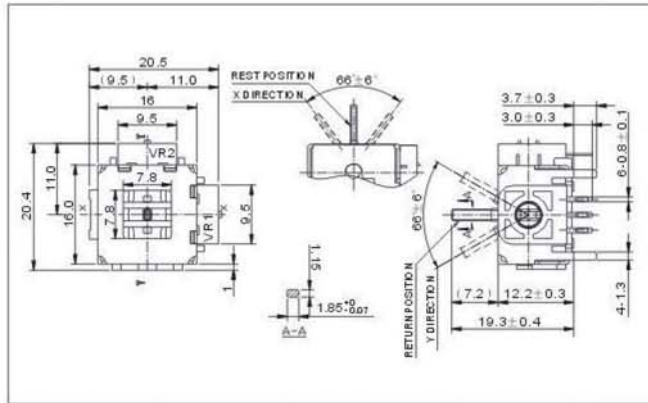
## Joystick Potentiometer

## JPN10K Series

Metal Shaft, Dual Unit,  
P. C. B Terminal



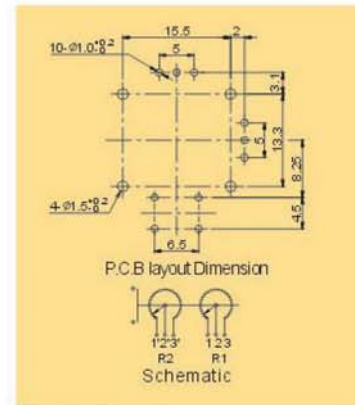
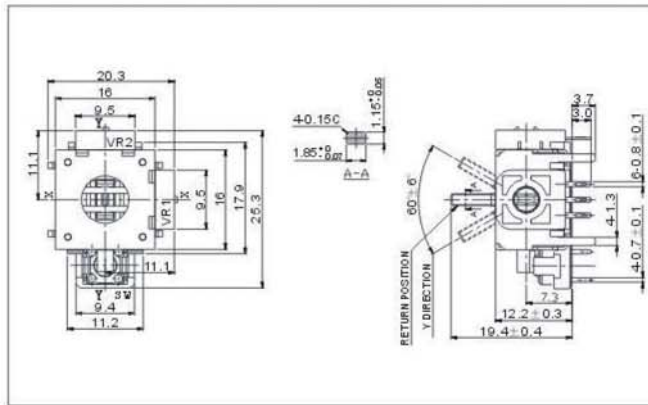
JPN10K38P...



Metal Shaft with Switch,  
Dual Unit, P. C. B. Terminal



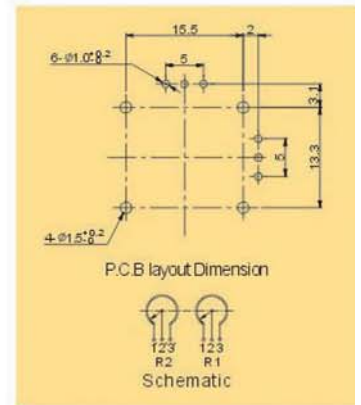
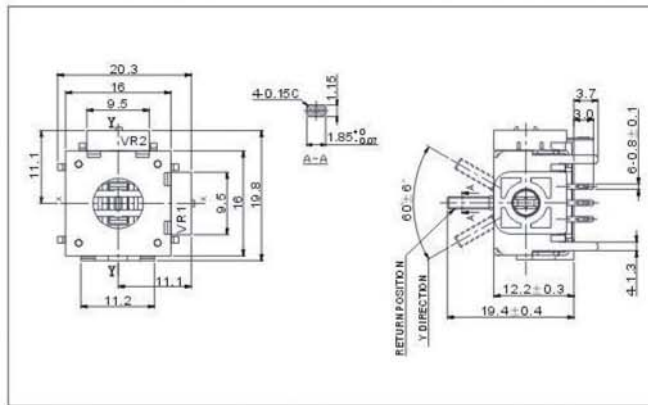
JPN10K0...



Metal Shaft, Dual Unit,  
P. C. B. Terminal



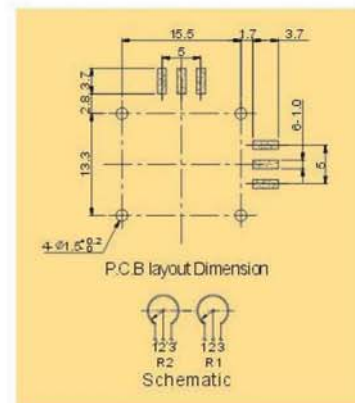
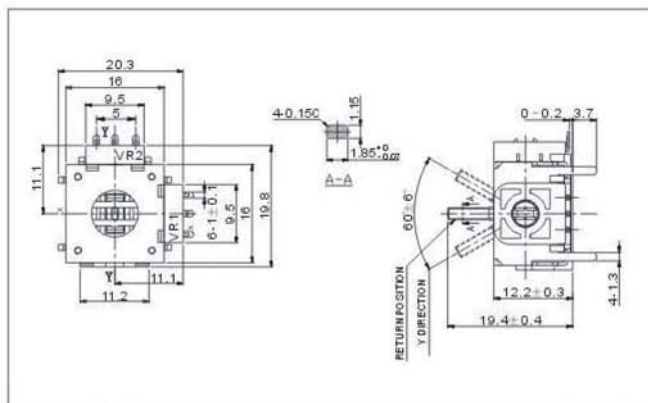
JPN10K1...



Metal Shaft, Dual Unit,  
SMD Soldering Terminal



JPN10K4...



# Potentiometer

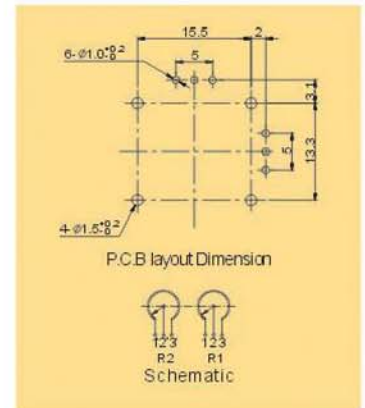
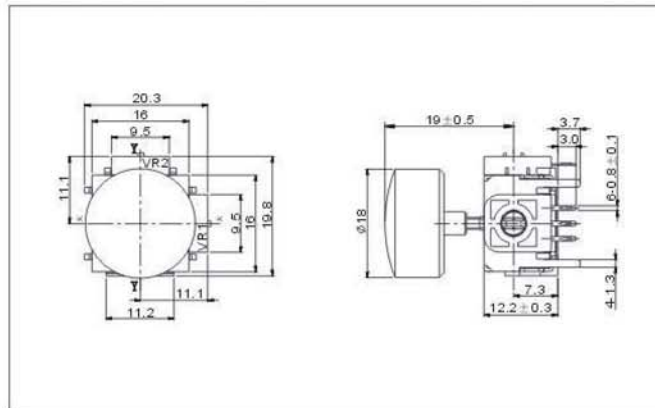
## Joystick Potentiometer

## JPN10K Series

Metal Shaft with Copper Ball,  
Dual Unit, P. C. B. Terminal



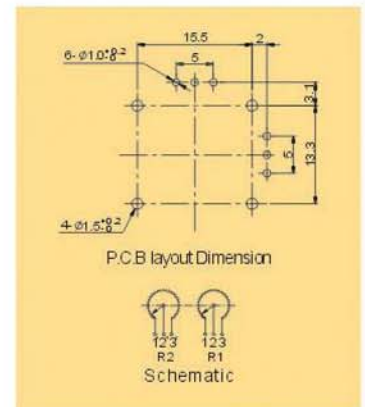
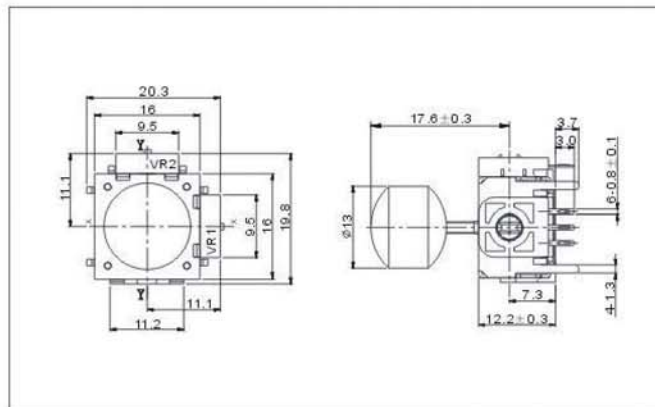
JPN10K13...



Metal Shaft with Copper Ball,  
Dual Unit, P. C. B. Terminal



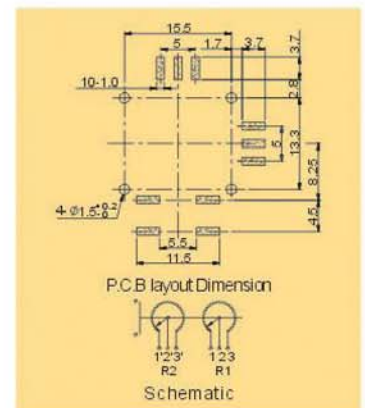
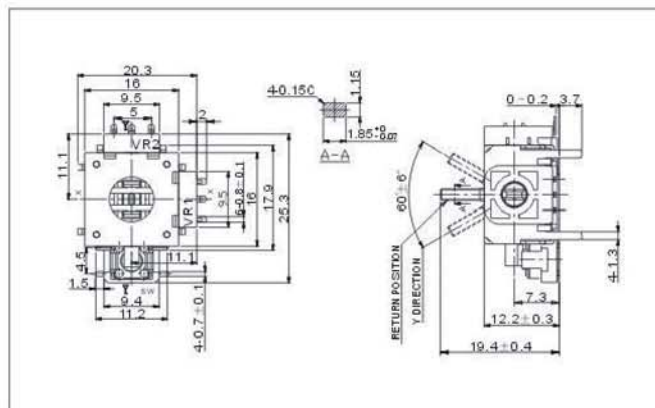
JPN10K15...



Metal Shaft with Switch,  
Dual Unit, Solder Terminal



JPN10K16...



Metal Shaft with Switch,  
Dual Unit, P. C. B. Terminal



JPN10K18...

