

Product Specification

SPECIFICATION FOR APPROVAL

() Preliminary Specification (SIT EVENT)

() Final Specification

Title	14.1" XGA TFT LCD
-------	-------------------

BUYER	IBM
MODEL	Toronto 2

SUPPLIER	LG.Philips LCD Co., Ltd.
*MODEL	LP141X7
SUFFIX	B1IB

* When you obtain standard approval ,
please use the above model name without suffix.

SIGNATURE	DATE
/	_____
/	_____
/	_____

APPROVED BY	DATE
S.H.Kang / G.Manager	_____
REVIEWED BY S.C.Yoon / Manager B.H.Koo / Manager	_____
PREPARED BY M.J.Lee / Engineer H.J.Kim / Engineer	_____

Please return 1 copy for your confirmation
with your signature and comments.

Product Engineering Dept.
LG.Philips LCD Co., Ltd.

Product Specification

CONTENTS

NO.	ITEM	Page
-	COVER	1
-	CONTENTS	2
-	RECORD OF REVISIONS	3
1	GENERAL DESCRIPTION	4
2	ABSOLUTE MAXIMUM RATINGS	5
3	ELECTRICAL SPECIFICATIONS	6
3-1	ELECTRICAL CHARACTERISTICS	6
3-2	INTERFACE CONNECTIONS	7
3-3	SIGNAL TIMING SPECIFICATIONS	9
3-4	SIGNAL TIMING WAVEFORMS	10
3-5	COLOR INPUT DATA REFERENCE	11
3-6	POWER SEQUENCE	12
4	OPTICAL SPECIFICATIONS	13
5	MECHANICAL CHARACTERISTICS	14
6	RELIABILITY	18
7	INTERNATIONAL STANDARDS	19
7-1	SAFETY	19
7-2	EMC	19
8	PACKING	20
8-1	DESIGNATION OF LOT MARK	20
8-2	PACKING FORM	20
9	PRECAUTIONS	21
	APPENDIX	
A-1	OPTICAL CHARACTERISTIC MEASUREMENT EQUIPMENT AND METHOD	23
A-2	LUMINANCE	23
A-3	RESPONSE TIME	23
A-4	VIEWING ANGLE	24

Product Specification

RECORDS OF REVISIONS

Version No	Date	Page	DESCRIPTION
0.0	MAY 27, 2000	-	First Draft
0.1	JUN 13, 2000	4	Change Power Consumption 5.0W to 4.67W
		6	Filling the lamp typical specification
		7	Change the interface chip SN75LVDS88B to Thine KZ4E038C12CFP and User connector.
		9	Change the signal timing for Thine chip
		13	Change the Contrast Ratio 170(typ) to 250(typ).
		15	Change the maximum depth of user connector area 5.6mm to 5.8mm.
0.2	JUN 27, 2000	13	Change Color Coordinates
0.3	AUG 25, 2000	4,14	Change the LCD weight from 425g(Typ) to 427.5g(Typ)
		15 ~ 17	Change the lamp wire length, back cover and screw position.
		12	Change Power sequence specification

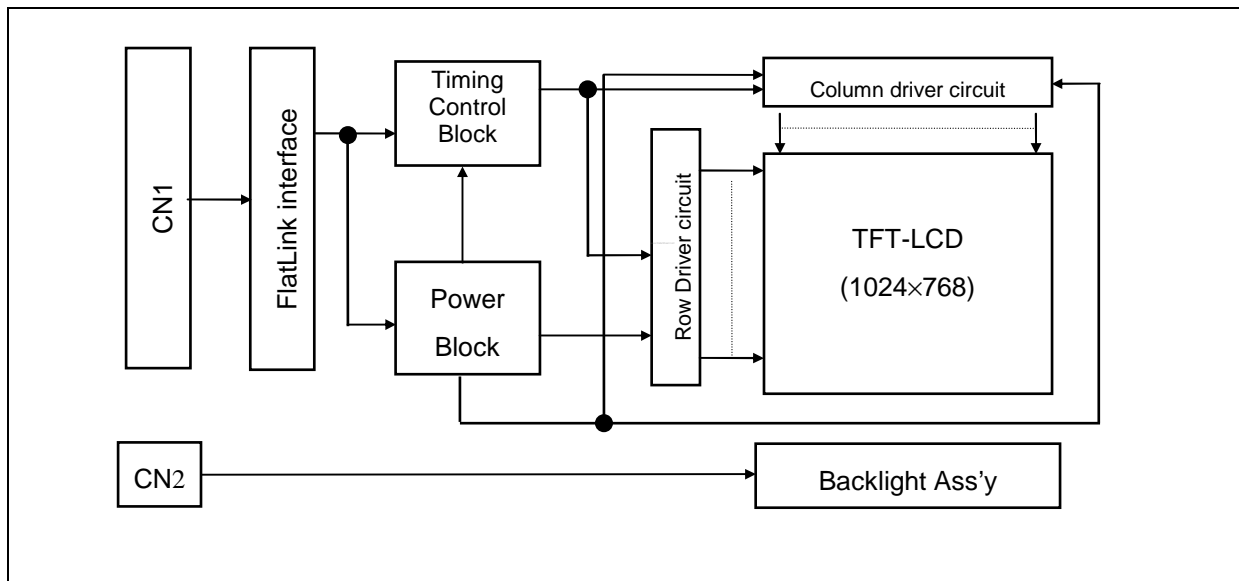
Product Specification

1. General Description

The LP141X7-B1IB is a Color Active Matrix Liquid Crystal Display with an integral Cold Cathode Fluorescent Lamp(CCFL) backlight system. The matrix employs a-Si Thin Film Transistor as the active element. It is a transmissive type display operating in the normally white mode. This TFT-LCD has a 14.1 inches diagonally measured active display area with XGA resolution(768 vertical by 1024 horizontal pixel array). Each pixel is divided into Red, Green and Blue sub-pixels or dots which are arranged in vertical stripes. Gray scale or the brightness of the sub-pixel color is determined with a 6-bit gray scale signal for each dot, thus, presenting a palette of more than 262,144 colors.

The LP141X7-B1IB has been designed to apply the interface method that enables low power, high speed, low EMI. Flat Link must be used as a LVDS(Low Voltage Differential Signaling) chip.

The LP141X7-B1IB is intended to support applications where thin thickness, low power are critical factors and graphic displays are important. In combination with the vertical arrangement of the sub-pixels, the LP141X7-B1IB characteristics provide an excellent flat panel display for office automation products such as Notebook PC.



General Features

Active screen size	14.1 inches(35.814cm) diagonal
Outline dimensions	298.5(H) × 227(V) × 5.3(D) mm (Typ.)
Pixel pitch	0.279 mm × 0.279 mm
Pixel format	1024 horiz. by 768 vert. pixels
	RGB stripe arrangement
Color depth	6-bit, 262,144 colors
Luminance,White	150 cd/m ² (Typ.)
Power Consumption	Total 4.67Watt(Typ.)
Weight	427.5g (Typ.)
Display operating mode	Transmissive mode, normally white
Surface treatments	Hard coating (3H), Anti-glare treatment of the front polarizer

Product Specification

3. Electrical Specifications

3-1. Electrical Characteristics

The LP141X7-B11B requires two power inputs. One is employed to power the LCD electronics and to drive the TFT array and liquid crystal. The second input which powers the CCFL, is typically generated by an inverter. The inverter is an external unit to the LCD.

Table 2 ELECTRICAL CHARACTERISTICS:

Parameter	Symbol	Values			Units	Notes
		Min.	Typ.	Max.		
MODULE:						
Power Supply Input Voltage	V _{CC}	3.0	3.3	3.6	Vdc	
Power Supply Input Current	I _{CC}	-	0.315	0.370	A	1
Differential Impedance	Z _m	90	100	110	Ohm	2
Power Consumption	P _c	-	1.04	1.22	W	1
Rush Current	I _{RUSH}	-	1.0	1.5	A	
Duration of rush current	T _{RUSH}	-	-	30	ms	
LAMP						
Operating Voltage	V _L	680(6mA)	725(5mA)	875(3mA)	V _{rms}	3
Operating Current	I _L	3.0	5.0	6.0	mArms	
Established Starting Voltage	V _s	-	-	1170	V _{rms}	4
		-	-	1450	V _{rms}	
Operating Frequency	F _L	45	58	80	kHz	5
Discharge Stabilization Time	T _s	-	-	3	Minutes	6
Power Consumption	P _L	-	3.63	4.08	W	7
Life Time		10,000		-	Hours	8 6mA

Note)The design of the inverter must have specifications for the lamp in LCD Assembly.

The performance of the Lamp in LCM,for example life time or brightness,is extremely influenced by the characteristics of the DC-AC Inverter.So all the parameters of an inverter should be carefully designed so as not to produce too much leakage current from high-voltage output of the inverter.

When you design or order the inverter,please make sure unwanted lighting caused by the mismatch of the lamp and the inverter(no lighting,flicker,etc) never occurs.When you confirm it,the LCD Assembly should be operated in the same condition as installed in your instrument.

Notes: 1. The specified current and power consumption are under the V_{cc} = 3.3V , 25°C , f_v = 60Hz condition whereas full black pattern is displayed and f_v is the frame frequency.

2. This impedance value is needed to proper display and measured from LVDS Tx to the mating connector.

3. The variance of the voltage is ± 10%.

4. The voltage above V_s should be applied to the lamps for more than 1second for start-up. Otherwise,the lamps may not be turned on.

5. The output of the inverter must have symmetrical(negative and positive) voltage waveform and symmetrical current waveform.(Unsymmetrical ratio is less than 10%) Please do not use the inverter which has unsymmetrical voltage and unsymmetrical current and spike wave.

Lamp frequency may produce interference with horizontal synchronous frequency and as a result this may cause beat on the display.Therefore lamp frequency shall be as away as possible from the horizontal synchronous frequency and from its harmonics in order to prevent interference.

6.Let's define the brightness of the lamp after being lighted for 5 minutes as 100%.

T_s is the time required for the brightness of the center of the lamp to be not less than 95%.

7. The lamp power consumption shown above does not include loss of external inverter.

8. The life time is determined as the time at which brightness of lamp is 50% compared to that of initial value at the typical lamp current on condition of continuous operating at 25 ± 2°C.

Product Specification

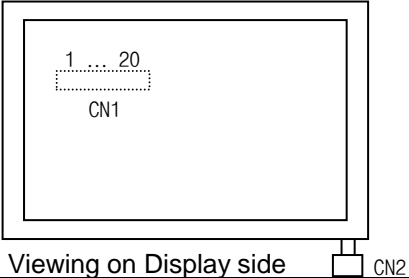
3-2. Interface Connections


This LCD employs two interface connections, a 20 pin connector is used for the module electronics and the other connector is used for the integral backlight system.

The electronics interface connector is a model GT122-20P-H13R manufactured by LG Cable. The pin configuration for the connector is shown in the table below.

Table 3 MODULE CONNECTOR PIN CONFIGURATION (LVDS) [CN1]

Pin	Symbol	Description	Notes
1	Vcc	Power (3.3V)	1. Interface chips 1.1 LCD : KZ4E038C12CFP (Thine) (THC63LVDF64A core + Timing Controller) 1.2 System : THC63LVDM63A(Thine) * Pin to Pin compatible with TI LVDS 2. Connector 2.1 LCD : GT122-20P-H13 R (LG Cable) 2.2 Mating : FI-WEB21P-HF(JAE) or compatible 2.3 Connector pin arrangement
2	Vcc	Power (3.3V)	
3	GND	Ground	
4	GND	Ground	
5	A0M	Differential Signal	
6	A0P	Differential Signal	
7	GND	Ground	
8	A1M	Differential Signal	
9	A1P	Differential Signal	
10	GND	Ground	
11	A2M	Differential Signal	
12	A2P	Differential Signal	
13	GND	Ground	
14	CLKM	Differential Signal	
15	CLKP	Differential Signal	
16	GND	Ground	
17	NC	No Connection	
18	NC	No Connection	
19	GND	Ground	
20	GND	Ground	



Viewing on Display side  CN2

The backlight interface connector is a model BHSR-02VS-1, manufactured by JST. The mating connector part number is SM02B-BHSS-1 or equivalent. The pin configuration for the connector is shown in the table below.

Table 4 BACKLIGHT CONNECTOR PIN CONFIGURATION

Pin	Symbol	Description	Notes
1	HV	Power supply for lamp (High voltage side)	1
2	LV	Power supply for lamp (Low voltage side)	1

Notes: 1. The high voltage side terminal is colored pink. The low voltage side terminal is white.

Product Specification

Table 5 REQUIRED SIGNAL ASSIGNMENT FOR FlatLink Transmitter

Pin #	Pin Name	Require Signals	Pin #	Pin Name	Require Signals
1	D4	R4	48	D3	R3
2	Vcc	Vcc	47	D2	R2
3	D5	R5	46	GND	GND
4	D6	G0	45	D1	R1
5	GND	GND	44	D0	R0
6	D7	G1	43	NC	NC
7	D8	G2	42	LVDS GND	LVDS GND
8	Vcc	Vcc	41	Y0M	A0M
9	D9	G3	40	Y0P	A0P
10	D10	G4	39	Y1M	A1M
11	GND	GND	38	Y1P	A1P
12	D11	G5	37	LVDS Vcc	LVDS Vcc
13	D12	B0	36	LVDS GND	LVDS GND
14	NC	NC	35	Y2M	A2M
15	D13	B1	34	Y2P	A2P
16	D14	B2	33	CLKOUTM	CLKM
17	GND	GND	32	CLKOUTP	CLKP
18	D15	B3	31	LVDS GND	LVDS GND
19	D16	B4	30	PLL GND	PLL GND
20	D17	B5	29	PLL Vcc	PLL Vcc
21	Vcc	Vcc	28	PLL GND	PLL GND
22	D18	HSYNC	27	$\overline{\text{SHDN}}$	$\overline{\text{SHDN}}$
23	D19	VSYNC	26	CLKIN	Dclk
24	GND	GND	25	D20	DE(Data Enable)

Notes : Refer to LVDS Transmitter Data Sheet for detail descriptions.

Product Specification

3-3. Signal Timing Specifications

This is the signal timing required at the input of the LVDS Transmitter. All of the interface signal timing should be satisfied with the following specifications for its proper operation.

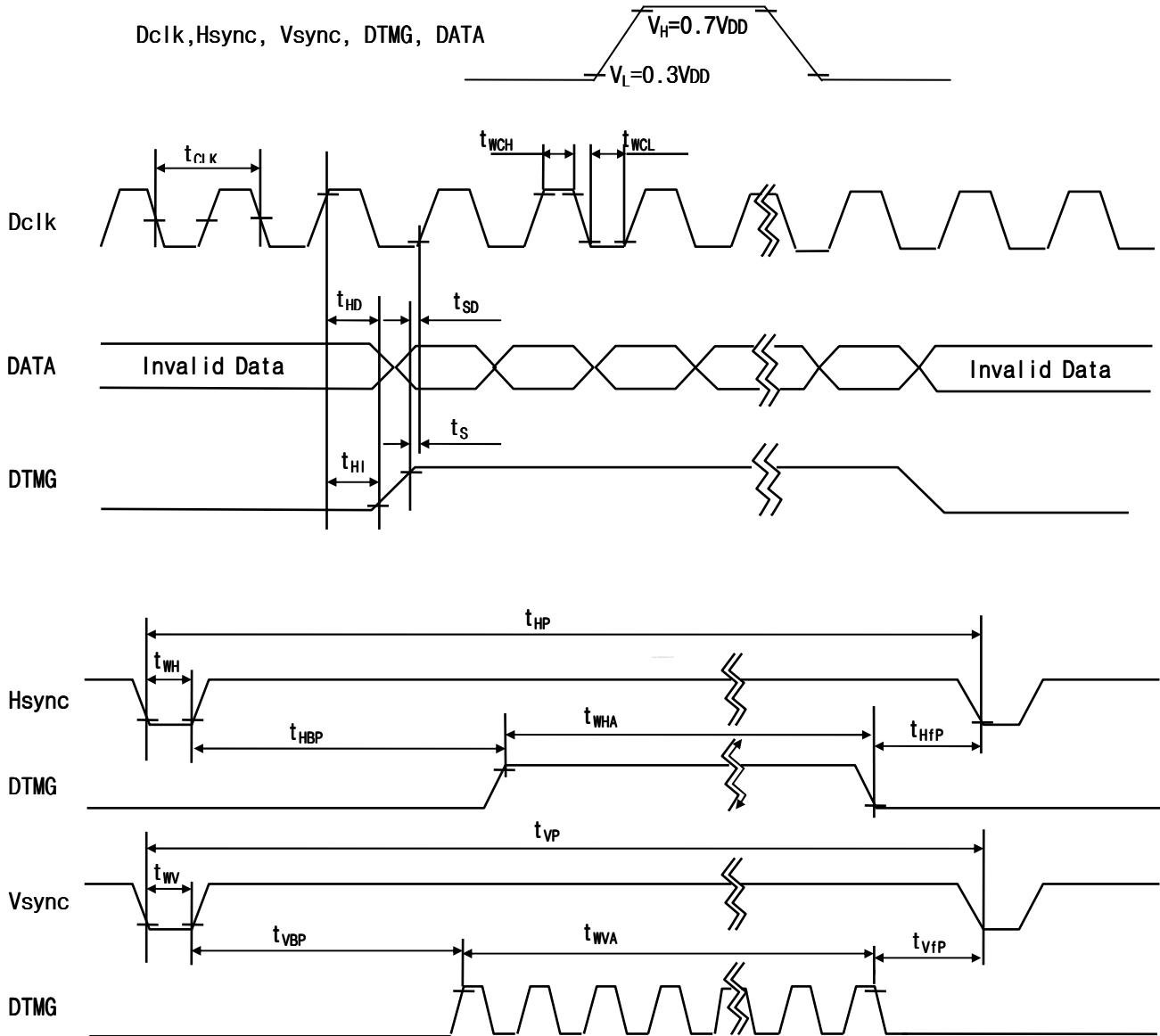
Table 6 Timing Table

ITEM	SYMBOL		MIN.	Typ.	MAX.	UNIT	NOTE
Dclk	Frequency	f _{CLK}	62	65	68	MHz	
	Width-Low	t _{WCL}	3	-	-		
	Width -High	t _{WCH}	3	-	-		
Hsync	Period	t _{HP}	1206	1344	1364		
	Width	t _{WH}	8	136	240		
	Active Period	t _{WHA}	1024	1024	1024		
Vsync	Period	t _{VP}	780	806	830		
	Width	t _{WV}	1	-	24		
	Active Period	t _{WVA}	768	768	768		
DTMG (DE)	Set up Time	t _{SI}	3	-	-	ns	for Dclk
	Hold Time	t _{HI}	3	-	-		
	Horizontal Back Porch	t _{HBP}	10	-	-	t _{CLK}	
	Horizontal Front Porch	t _{HFP}	10	-	-		
	Vertical Back Porch	t _{VBP}	2	-	-	t _{HP}	
	Vertical Front Porch	t _{VFP}	1	-	-		
DATA	Set up Time	t _{SD}	3	-	-	ns	for Dclk
	Hold Time	t _{HD}	3	-	-		

* The Maximum Dclk jitter is 2.0nsec.

Product Specification

3-4. Signal Timing Waveforms



Product Specification

3-5. Color Input Data Reference

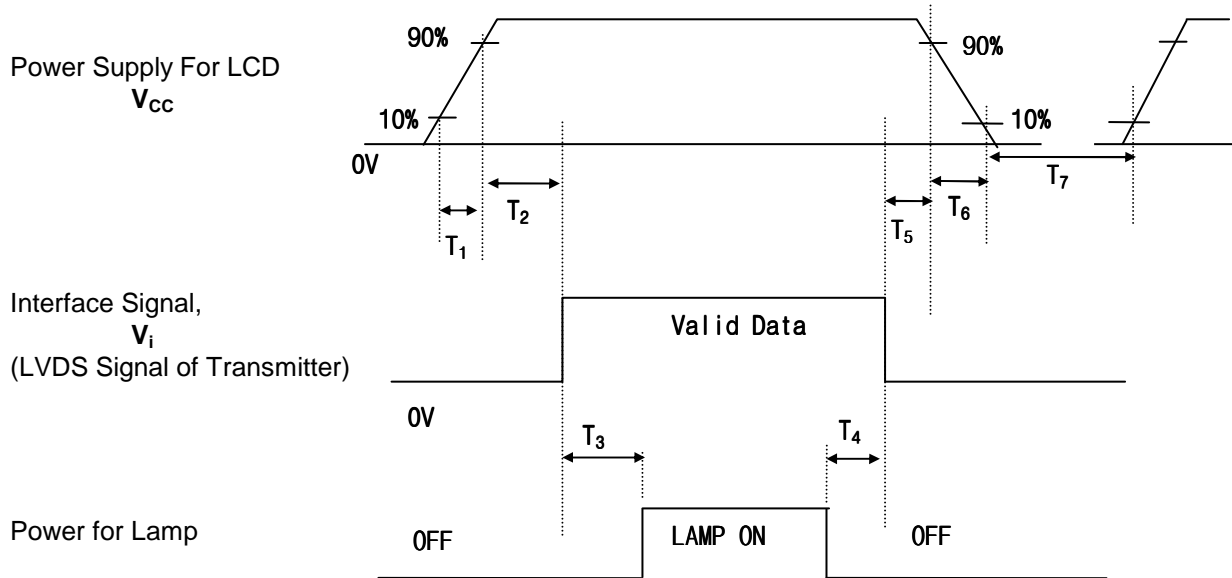
The brightness of each primary color(red, green and blue) is based on the 6-bit gray scale data input for the color; the higher the binary input, the brighter the color. The table below provides a reference for color versus data input.

Table 7 COLOR DATA REFERENCE

Color		Input Color Data																	
		Red						Green						Blue					
		MSB		LSB				MSB		LSB				MSB		LSB			
		R5	R4	R3	R2	R1	R0	G5	G4	G3	G2	G1	G0	B5	B4	B3	B2	B1	B0
Basic Colors	Black	0	0	0	0	0	0	0	0	0	0	0	0	0	0	0	0	0	0
	Red(63)	1	1	1	1	1	1	0	0	0	0	0	0	0	0	0	0	0	0
	Green(63)	0	0	0	0	0	0	1	1	1	1	1	1	0	0	0	0	0	0
	Blue(63)	0	0	0	0	0	0	0	0	0	0	0	0	1	1	1	1	1	1
	Cyan	0	0	0	0	0	0	1	1	1	1	1	1	1	1	1	1	1	1
	Magenta	1	1	1	1	1	1	0	0	0	0	0	0	1	1	1	1	1	1
	Yellow	1	1	1	1	1	1	1	1	1	1	1	1	0	0	0	0	0	0
	White	1	1	1	1	1	1	1	1	1	1	1	1	1	1	1	1	1	1
Red	Red(00) Dark	0	0	0	0	0	0	0	0	0	0	0	0	0	0	0	0	0	0
	Red(01)	0	0	0	0	0	1	0	0	0	0	0	0	0	0	0	0	0	0
	Red(02)	0	0	0	0	1	0	0	0	0	0	0	0	0	0	0	0	0	0
	:	:	:	:	:	:	:	:	:	:	:	:	:	:	:	:	:	:	
	Red(61)	1	1	1	1	0	1	0	0	0	0	0	0	0	0	0	0	0	0
	Red(62)	1	1	1	1	1	0	0	0	0	0	0	0	0	0	0	0	0	0
Red(63) Bright	1	1	1	1	1	1	0	0	0	0	0	0	0	0	0	0	0	0	
Green	Green(00)Dark	0	0	0	0	0	0	0	0	0	0	0	0	0	0	0	0	0	0
	Green(01)	0	0	0	0	0	0	0	0	0	0	0	1	0	0	0	0	0	0
	Green(02)	0	0	0	0	0	0	0	0	0	0	1	0	0	0	0	0	0	0
	:	:	:	:	:	:	:	:	:	:	:	:	:	:	:	:	:	:	
	Green(61)	0	0	0	0	0	0	1	1	1	1	0	1	0	0	0	0	0	0
	Green(62)	0	0	0	0	0	0	1	1	1	1	1	0	0	0	0	0	0	0
Green(63)Bright	0	0	0	0	0	0	1	1	1	1	1	1	0	0	0	0	0	0	
Blue	Blue(00) Dark	0	0	0	0	0	0	0	0	0	0	0	0	0	0	0	0	0	0
	Blue(01)	0	0	0	0	0	0	0	0	0	0	0	0	0	0	0	0	0	1
	Blue(02)	0	0	0	0	0	0	0	0	0	0	0	0	0	0	0	0	1	0
	:	:	:	:	:	:	:	:	:	:	:	:	:	:	:	:	:	:	
	Blue(61)	0	0	0	0	0	0	0	0	0	0	0	0	1	1	1	1	0	1
	Blue(62)	0	0	0	0	0	0	0	0	0	0	0	0	1	1	1	1	1	0
Blue(63) Bright	0	0	0	0	0	0	0	0	0	0	0	0	1	1	1	1	1	1	

3-6. Power Sequence

Product Specification



Parameter	Values			Units
	Min.	Typ.	Max.	
T ₁	-	-	10	ms
T ₂	0	-	50	ms
T ₃	130	-	-	ms
T ₄	0	-	-	ms
T ₅	0	-	50	ms
T ₆	-	-	10	ms
T ₇	150	-	-	ms

- Notes:
1. Please avoid floating state of interface signal at invalid period.
 2. When the interface signal is invalid, be sure to pull down the power supply for LCD V_{CC} to 0V.
 3. Lamp power must be turn on after power supply for LCD and interface signal are valid.

4. Optical Specifications

Product Specification

Optical characteristics are determined after the unit has been 'ON' and stable for approximately 30 minutes in a dark environment at 25°C. The values specified are at an approximate distance 50cm from the LCD surface at a viewing angle of Φ and θ equal to 0°.

Appendix A -1 presents additional information concerning the measurement equipment and method.

Table 8 OPTICAL CHARACTERISTICS (Ta=25°C, Vcc=3.3V, f_v =60Hz, Dclk=65MHz, I_{BL}=6mA)

Parameter	Symbol	Values			Units	Notes
		Min.	Typ.	Max.		
Contrast Ratio	CR	150	250	-		1
Surface Luminance, white	L _{WH}	130	150	-	cd/m ²	2
Luminance Variation	δ WHITE	-	-	1.45		3
Response Time	Tr				ms	4
Rise Time	Tr _R	-	20	40		
Decay Time	Tr _D	-	30	50		
CIE Color Coordinates						IBM Spec.
Red	X _R	0.559	0.589	0.619		(0.577)
	Y _R	0.301	0.331	0.361		(0.338)
Green	X _G	0.285	0.315	0.345		(0.310)
	Y _G	0.518	0.548	0.578		(0.563)
Blue	X _B	0.121	0.151	0.181		(0.158)
	Y _B	0.110	0.140	0.170		(0.157)
White	X _W	0.301	0.329	0.357		(0.313)
	Y _W	0.312	0.332	0.352		(0.329)
Viewing Angle						
x axis, right (Φ=0°)	θ r	40	-	-	degree	5
x axis, left(Φ=180°)	θ l	40	-	-		
y axis, up(Φ=90°)	θ u	10	-	-		
y axis, down (Φ=270°)	θ d	30	-	-		
Gray Scale		-	-	-		6

- Notes
- Contrast Ratio (CR) is defined mathematically as :

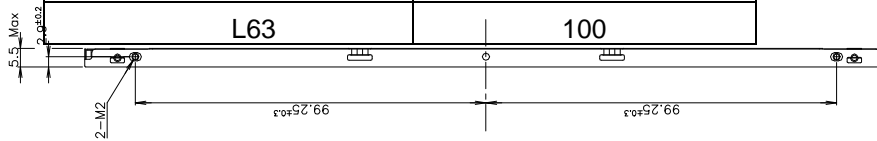
$$\text{Contrast Ratio} = \frac{\text{Surface Luminance with all white pixels}}{\text{Surface Luminance with all black pixels}}$$
 - Surface luminance is the center point across the LCD surface 50cm from the surface with all pixels displaying white. For more information see Appendix A - 2.
 When I_{BL}=6mA, L_{WH}= 130cd/m² (Min.) 150cd/m² (Typ.)
 - The variation in surface luminance, δ WHITE is determined by measuring L_{ON} at each test position 1 through 9, and then dividing the maximum L_{ON} of 9 points luminance by minimum L_{ON} of 9 points luminance. For more information see Appendix A - 2.

$$\delta \text{ WHITE} = \text{Maximum} (L_{ON1}, L_{ON2}, \dots, L_{ON9}) \div \text{Minimum} (L_{ON1}, L_{ON2}, \dots, L_{ON9})$$
 - Response time is the time required for the display to transition from white to black (Rise Time, Tr_R) and from black to white (Decay Time, Tr_D). For additional information see Appendix A - 3.
 - Viewing angle is the angle at which the contrast ratio is greater than 10. The angles are determined for the horizontal or x axis and the vertical or y axis with respect to the z axis which is normal to the LCD surface. For more information see Appendix A - 4

6.Gray scale specification.

Product Specification

Gray Level	Luminance(%) (Typ.)
L0	0.35
L7	1.0
L15	4.0
L23	10
L31	21
L39	35
L47	54
L55	75
L63	100



5. Mechanical Characteristics

The contents provide general mechanical characteristics for the model LP141X7-B11B LCD. In addition, the figures in the next page are detailed mechanical drawings of the LCD.

Outside dimensions :

Horizontal (BEZEL OPENING)	298.5 ± 0.5 mm
Vertical (ACTIVE AREA)	227.0 ± 0.5 mm
Depth	5.3 ± 0.3 mm

Bezel area :

Horizontal	288.8 ± 0.5 mm
Vertical	217.4 ± 0.5 mm

Active Display area :

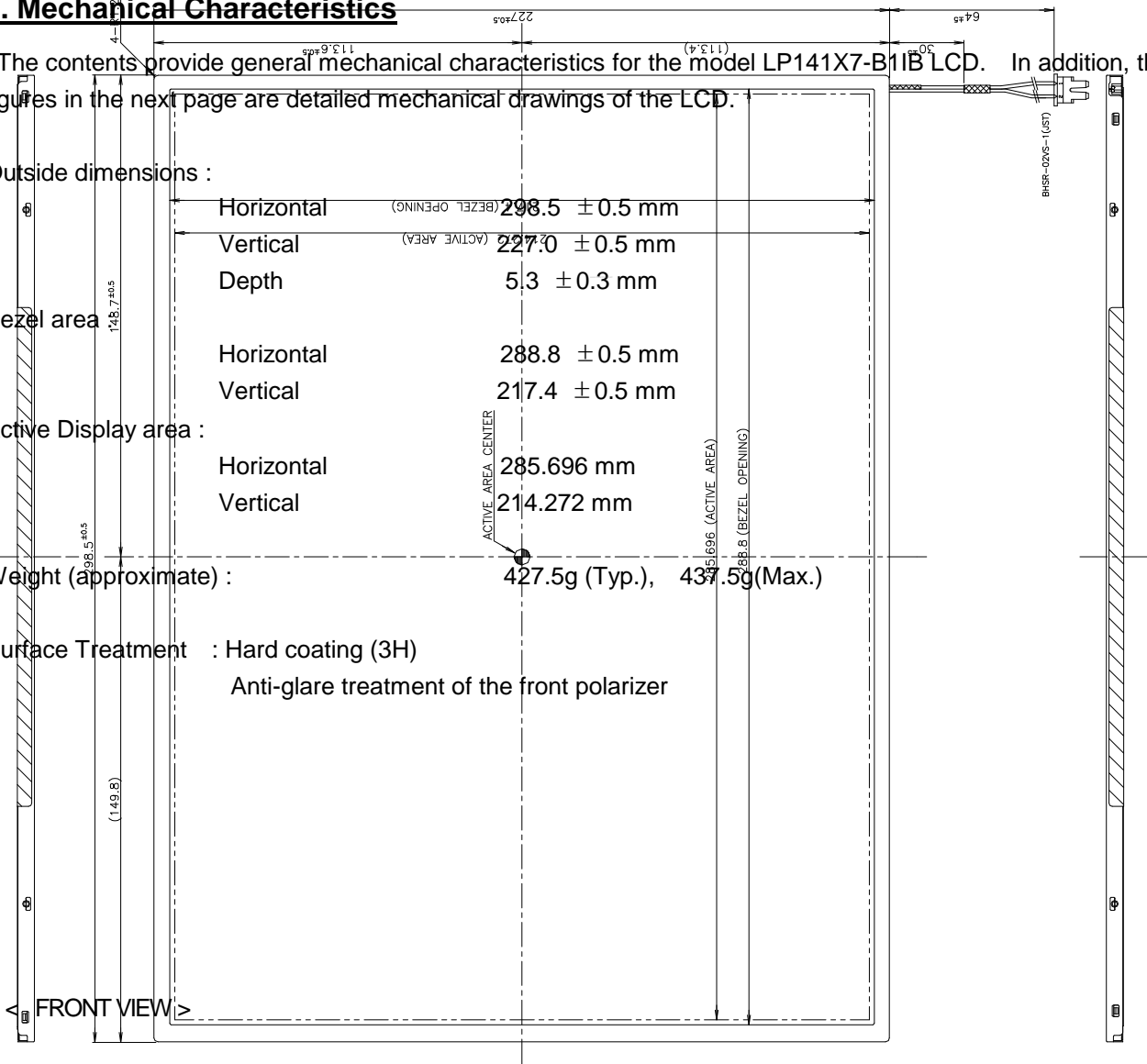
Horizontal	285.696 mm
Vertical	214.272 mm

Weight (approximate) :

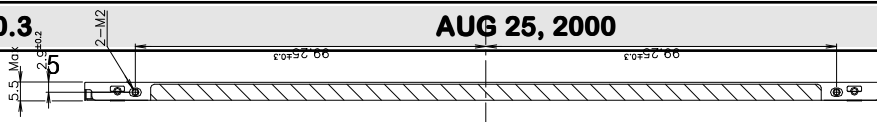
427.5g (Typ.), 437.5g (Max.)

Surface Treatment : Hard coating (3H)

Anti-glare treatment of the front polarizer



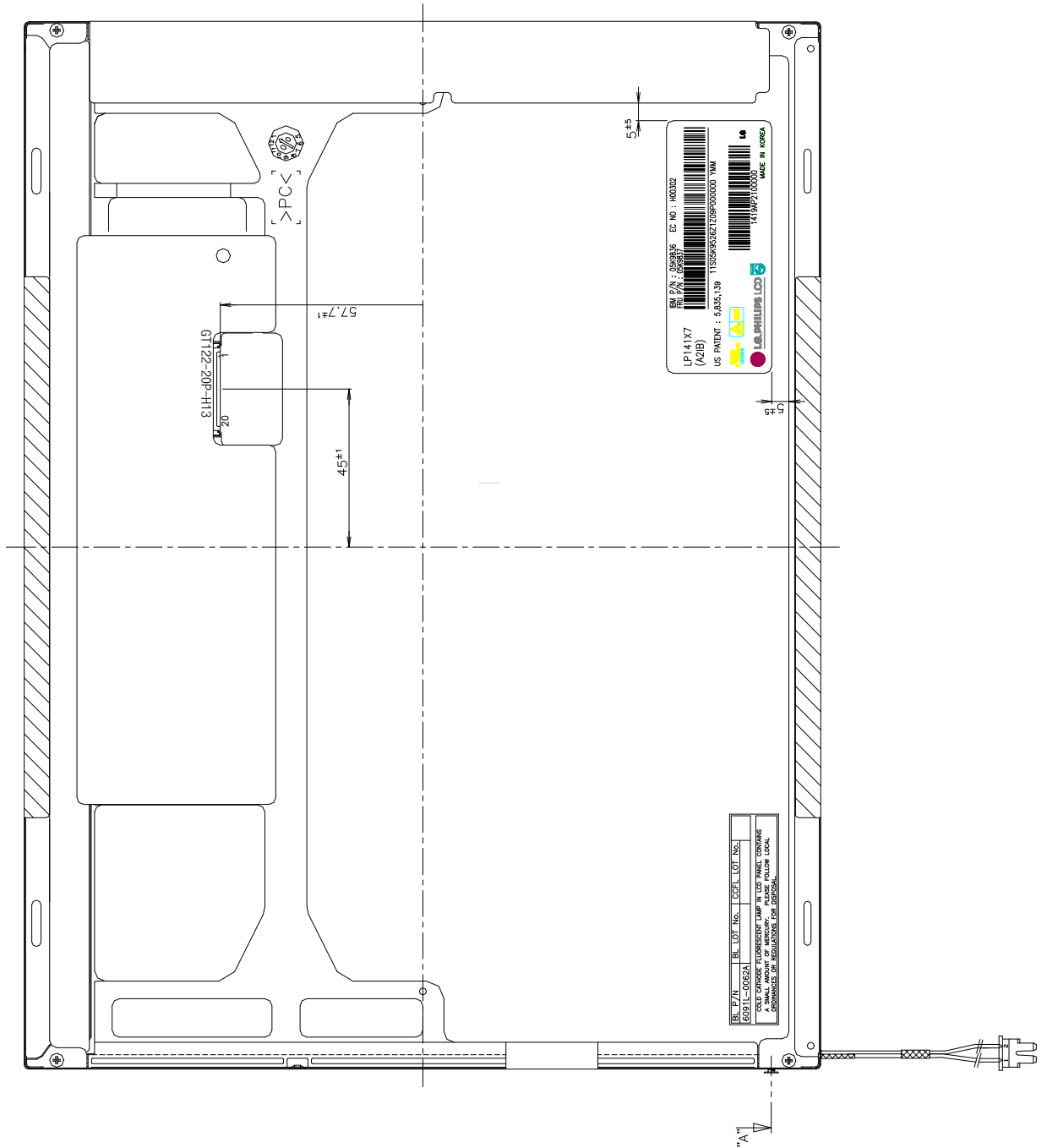
FRONT VIEW



Product Specification

- Note) 1.General Tolerance is $\pm 0.5\text{mm}$.
 2.The LCD depth of user connector area is Max 5.8mm.

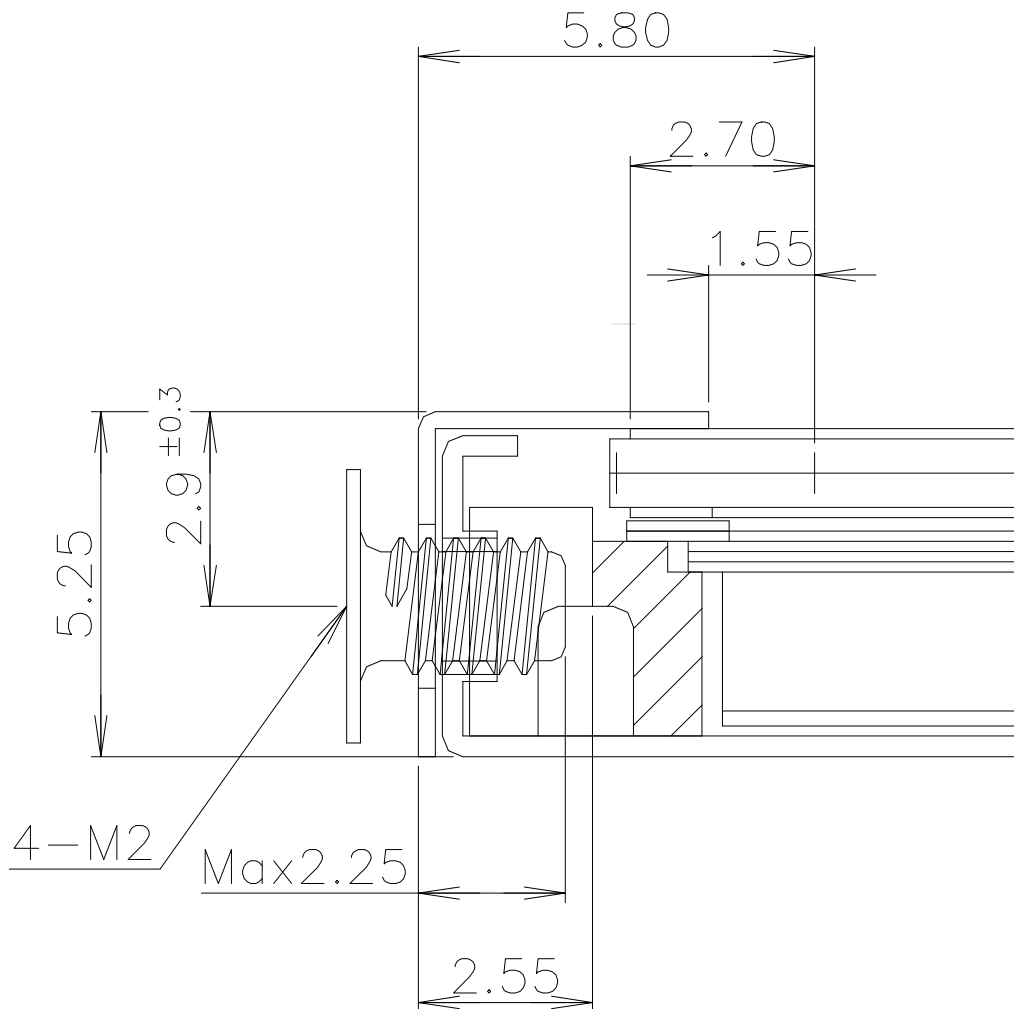
< REAR VIEW >



Product Specification

<Detail description of side mounting screw>

SEC. A(S:5/1)
 (4POINT)



*SCREW TORQUE : Max 2Kgf/Cm

Product Specification

6. Reliability

- Environment test condition

No.	Test Item	Conditions
1	High temperature storage test	Ta = 60°C 240h
2	Low temperature storage test	Ta = -20°C 240h
3	High temperature operation test	Ta = 50°C 50%RH 240h
4	Low temperature operation test	Ta = 0°C 240h
5	Vibration test (non-operating)	Sine wave, 10~500~10Hz, 1.5G, 0.37oct/min, 3 axis, 1 hour/axis
6	Shock test (non-operating)	Half sine wave, 100G, 6ms, one shock of each six faces (i.e. run 100G 6ms for all six faces.)
7	Altitude operating	5000m 24Hr

{Result Evaluation Criteria}

There should be no change which might affect the practical display function when the display quality test is conducted under normal operating condition.

- ON/OFF Cycle

: The display module will be capable of being operated over 24,000 ON/OFF cycles (Lamp power & Vcc ON/OFF)

- Mean Time Between Failure

: The LCD Panel and interface board assembly (excluding the CCFL) have a mean time between failures of 30,000 hours with a confidence level 90%.

Product Specification**7. International Standards****7-1. Safety**

- a) UL 1950 Third Edition, Underwriters Laboratories, Inc. Jan. 28, 1995.
Standard for Safety of Information Technology Equipment Including Electrical Business Equipment.
- b) CAN/CSA C22.2 No. 950-95 Third Edition, Canadian Standards Association, Jan. 28, 1995.
Standard for Safety of Information Technology Equipment Including Electrical Business Equipment.
- c) EN 60950 : 1992 + A1 : 1993 + A2 : 1993 + A3 : 1995 + A4 : 1997 + A11 : 1997
IEC 950 : 1991 + A1 : 1992 + A2 : 1993 + A3 : 1995 + A4 : 1996
European Committee for Electrotechnical Standardization (CENELEC)
EUROPEAN STANDARD for Safety of Information Technology Equipment Including Electrical Business Equipment.

7-2. EMC

- a) ANSI C63.4 "Methods of Measurement of Radio-Noise Emissions from Low-Voltage Electrical and Electronic Equipment in the Range of 9kHz to 40GHz." American National Standards Institute(ANSI),1992.
- b) C.I.S.P.R "Limits and Methods of Measurement of Radio Interference Characteristics of Information Technology Equipment." International Special Committee on Radio Interference
- c) EN 55022 "Limits and Methods of Measurement of Radio Interference Characteristics of Information Technology Equipment." European Committee for Electrotechnical Standardization (CENELEC),1988

Product Specification

8. Packing

8-1. Designation of Lot Mark

a) Lot Mark

A	B	C	D	E	F	G	H	I	J	K	L	M
---	---	---	---	---	---	---	---	---	---	---	---	---

A, B, C : SIZE
 D : YEAR
 E : MONTH
 F, G : PANEL CODE
 H : ASSEMBLY CODE
 I, J, K, L, M : SERIAL NO.

Note : 1. YEAR

YEAR	97	98	99	2000	2001	2002	2003	2004	2005	2006	2007
Mark	7	8	9	0	1	2	3	4	5	6	7

2. MONTH

MONTH	Jan.	Feb.	Mar.	Apr.	May.	Jun.	Jul.	Aug.	Sep.	Oct.	Nov.	Dec.
Mark	1	2	3	4	5	6	7	8	9	A	B	C

b) Location of Lot Mark

Serial NO. Is printed on the label. The label is attached to the backside of the LCD module.
 This is subject to change without prior notice.

8-2. Packing Form

a) Package quantity in one box : 10 pcs

9. PRECAUTIONS

Product Specification

Please pay attention to the followings when you use this TFT LCD module.

9.1 MOUNTING PRECAUTIONS

- (1) You must mount a module using holes arranged in four corners or four sides.
- (2) You should consider the mounting structure so that uneven force (ex. twisted stress) is not applied to the module.
And the case on which a module is mounted should have sufficient strength so that external force is not transmitted directly to the module.
- (3) Please attach a transparent protective plate to the surface in order to protect the polarizer.
Transparent protective plate should have sufficient strength in order to resist external force.
- (4) You should adopt radiation structure to satisfy the temperature specification.
- (5) Acetic acid type and chlorine type materials for the cover case are not desirable because the former generates corrosive gas of attacking the polarizer at high temperature and the latter causes circuit break by electro-chemical reaction.
- (6) Do not touch, push or rub the exposed polarizers with glass, tweezers or anything harder than HB pencil lead. And please do not rub with dust clothes with chemical treatment.
Do not touch the surface of polarizer for bare hand or greasy cloth. (Some cosmetics are detrimental to the polarizer.)
- (7) When the surface becomes dusty, please wipe gently with absorbent cotton or other soft materials like chamois soaked with petroleum benzene. Normal-hexane is recommended for cleaning the adhesives used to attach front / rear polarizers. Do not use acetone, toluene and alcohol because they cause chemical damage to the polarizer.
- (8) Wipe off saliva or water drops as soon as possible. Their long time contact with polarizer causes deformations and color fading.
- (9) Do not open the case because inside circuits do not have sufficient strength.

9.2 OPERATING PRECAUTIONS

- (1) The spike noise causes the mis-operation of circuits. It should be lower than following voltage :
 $V = \pm 200\text{mV}$ (Over and under shoot voltage).
- (2) Response time depends on the temperature. (In lower temperature, it becomes longer.)
- (3) Brightness depends on the temperature. (In lower temperature, it becomes lower.)
And in lower temperature, response time (required time that brightness is stable after turned on) becomes longer.
- (4) Be careful for condensation at sudden temperature change. Condensation makes damage to polarizer or electrical contacted parts. And after fading condensation, smear or spot will occur.
- (5) When fixed patterns are displayed for a long time, remnant image is likely to occur.
- (6) Module has high frequency circuits. Sufficient suppression to the electromagnetic interference shall be done by system manufacturers. Grounding and shielding methods may be important to minimize the interference.

Product Specification**9.3 ELECTROSTATIC DISCHARGE CONTROL**

Since a module is composed of electronic circuits, it is not strong to electrostatic discharge. Make certain that treatment persons are connected to ground through wrist band etc . And don't touch interface pin directly.

9.4 PRECAUTIONS FOR STRONG LIGHT EXPOSURE

Strong light exposure causes degradation of polarizer and color filter.

9.5 STORAGE

When storing modules as spares for a long time, the following precautions are necessary.

- (1) Store them in a dark place. Do not expose the module to sunlight or fluorescent light. Keep the temperature between 5°C and 35°C at normal humidity.
- (2) The polarizer surface should not come in contact with any other object.
It is recommended that they be stored in the container in which they were shipped.

9.6 HANDLING PRECAUTIONS FOR PROTECTION FILM

- (1) When the protection film is peeled off, static electricity is generated between the film and polarizer.
This should be peeled off slowly and carefully by people who are electrically grounded and with well ion- blown equipment or in such a condition, etc.
- (2) The protection film is attached to the polarizer with a small amount of glue. If some stress is applied to rub the protection film against the polarizer during the time you peel off the film, the glue is apt to remain on the polarizer.
Please carefully peel off the protection film without rubbing it against the polarizer.
- (3) When the module with protection film attached is stored for a long time, sometimes there remains a very small amount of glue still on the polarizer after the protection film is peeled off.
- (4) You can remove the glue easily. When the glue remains on the polarizer surface or its vestige is recognized, please wipe them off with absorbent cotton waste or other soft material like chamois soaked with normal-hexane.

Product Specification

A-4 Viewing angle

<Definition of viewing angle range>

