

Preset counters electronic

1 or 2 presets, PNP, NPN or AC logic

Display LCD, 6-digits, programmable

NE134



NE134 - LCD Preset counter

Technical data - electrical ratings

Voltage supply	22...50 VAC (50/60 Hz) 85...265 VAC (50/60 Hz) 12...30 VDC
Power consumption	5 VA, 5 W
Sensor supply	AC: 24 VDC \pm 20 % / 100 mA DC: 9...28 VDC / 100 mA
Display	LCD, 7-segment display, 2-lines, backlit
Number of digits	6-digits 8-digits - totalizer in 2 steps
Digit height	7 mm (count) 4 mm (preset)
Function	Preset counter Main counter with 2 presets Batch counter with 1 preset Totalizer
Scaling factor	0.0001...9999.99
Count modes	Adding or subtracting A-B (difference counting) A+B total (parallel counting) Up/Down A 90° B phase evaluation
Counting frequency	Main counter: 3 Hz, 25 Hz or 10 kHz Batch counter: approx. 20 Hz
Operating modes	Step preset, Trailing preset
Data memory	>10 years in EEPROM
Reset	Button, electric or automatic
Keylock	Yes, electric (keylock)
Outputs electronic	Optocoupler
Outputs relay	Normally open or closed, programmable
Output holding time	0.01...99.99 s
Interface	RS485

Features

- Preset counter with two presets
- Display 6-digits
- Batch counter, totalizer
- Operating mode, start count, scaling factor programmable
- Connection: Incremental encoder or digital sensors
- Step and trailing preset programmable
- Interface RS485

Technical data - electrical ratings

Standard	Protection class II
DIN EN 61010-1	Overvoltage category II
	Pollution degree 2
Emitted interference	DIN EN 61000-6-4
Interference immunity	DIN EN 61000-6-2
Programmable parameters	Measuring units, sensor logic Operating modes Scaling factor Count mode
Approvals	UL/cUL, CE conform

Technical data - mechanical design

Operating temperature	0...+50 °C
Storing temperature	-20...+70 °C
Relative humidity	80 % non-condensing
E-connection	Plug-in screw terminals
Core cross-section	1.5 mm ²
Protection DIN EN 60529	IP 65 face with seal
Operation / keypad	Membrane with softkeys
Housing type	Built-in housing
Dimensions W x H x L	48 x 48 x 100 mm
Installation depth	100 mm
Mounting	Clip frame
Cutout dimensions	45 x 45 mm (+0.6)
Materials	Housing: Makrolon 6485 (PC) Keypad: Polyester
Weight approx.	150 g

Preset counters electronic

1 or 2 presets, PNP, NPN or AC logic

Display LCD, 6-digits, programmable

NE134

Part number

NE134. **AX01**

Voltage supply

- 1 22...50 VAC
- 2 85...265 VAC
- 3 12...30 VDC

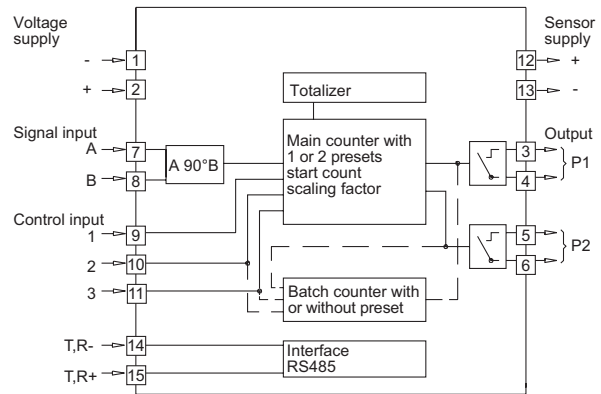
Outputs

- 1 Relay outputs
- 2 Electronic outputs

Interface

- 0 Without interface
- 1 RS485

Block circuit diagram



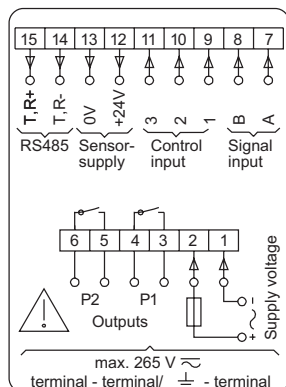
Accessories

Adaptor plates (page %S)

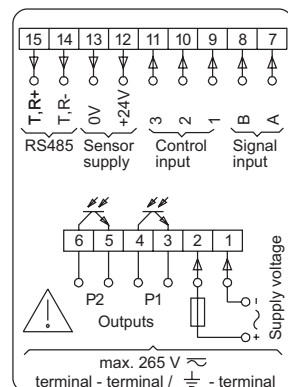
Z 118.033	Adaptor plate for screw mount, face 60 x 75 mm
Z 118.034	Adaptor plate for clip mount, face 53.2 x 53.2 mm
Z 118.035	Adaptor plate for clip mount, face 60 x 75 mm

Connection diagram

Relay outputs



Electronic outputs



Trigger level

Comparator inputs	Input circuit
Inputs	PNP- / NPN- / AC-logic
Input level	Programmable
Input level Low	0...2 VDC
Input level High	3...40 VDC
Input resistance	3 kΩ

Relay outputs	Output circuit
Switching voltage max.	250 VAC / 110 VDC
Switching current max.	1 A
Switching capacity max.	150 VA / 30 W
Relay responding time	5 ms

Electronical outputs	Output circuit
	Optocoupler short-circuit proof
Switching voltage max.	40 V
Switching current max.	25 mA

Dimensions

