



## 12N90

Preliminary

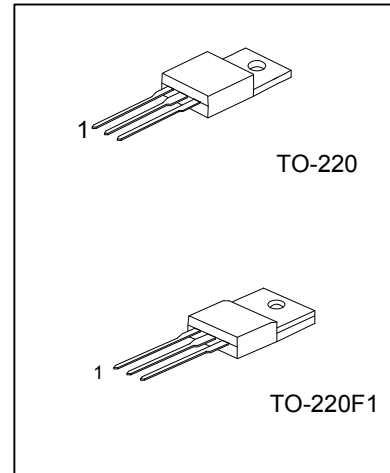
Power MOSFET

### 12A, 900V N-CHANNEL POWER MOSFET

#### DESCRIPTION

The UTC **12N90** is an N-channel enhancement mode power MOSFET using UTC's advanced technology to provide customers with planar stripe and DMOS technology. This technology is specialized in allowing a minimum on-state resistance and superior switching performance. It also can withstand high energy pulse in the avalanche and commutation mode.

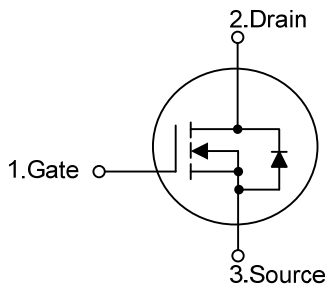
The UTC **12N90** is universally applied in high efficiency switch mode power supply.



#### FEATURES

- \*  $R_{DS(on)} = 0.95\Omega @ V_{GS} = 10V$
- \* High switching speed
- \* 100% avalanche tested

#### SYMBOL



#### ORDERING INFORMATION

Ordering Number		Package	Pin Assignment			Packing
Lead Free	Halogen Free		1	2	3	
12N90L-TA3-T	12N90G-TA3-T	TO-220	G	D	S	Tube
12N90L-TF1-T	12N90G-TF1-T	TO-220F1	G	D	S	Tube

Note: Pin Assignment: G: Gate D: Drain S: Source

<p>12N90L - TA3 - T</p> <p>(1) Packing Type (2) Package Type (3) Lead Free</p>	<p>(1) T: Tube (2) TA3: TO-220, TF1: TO-220F1 (3) G: Halogen Free, L: Lead Free</p>
--	---

■ ABSOLUTE MAXIMUM RATINGS ( $T_C = 25^\circ\text{C}$  unless otherwise specified)

PARAMETER		SYMBOL	RATINGS	UNIT
Drain-Source Voltage		$V_{DSS}$	900	V
Gate-Source Voltage		$V_{GSS}$	$\pm 30$	V
Drain Current	Continuous ( $T_C=25^\circ\text{C}$ )	$I_D$	12	A
	Pulsed (Note 2)	$I_{DM}$	48	A
Avalanche Current (Note 2)		$I_{AR}$	12	A
Power Dissipation	TO-220	$P_D$	225	W
	TO-220F1		51	W
Junction Temperature		$T_J$	+150	$^\circ\text{C}$
Storage Temperature		$T_{STG}$	-55~+150	$^\circ\text{C}$

Note: 1. Absolute maximum ratings are those values beyond which the device could be permanently damaged.

Absolute maximum ratings are stress ratings only and functional device operation is not implied.

2. Repetitive Rating: Pulse width limited by maximum junction temperature

■ THERMAL DATA

PARAMETER		SYMBOL	RATINGS	UNIT
Junction to Ambient		$\theta_{JA}$	62.5	$^\circ\text{C/W}$
Junction to Case	TO-220	$\theta_{JC}$	0.56	$^\circ\text{C/W}$
	TO-220F1		2.43	$^\circ\text{C/W}$

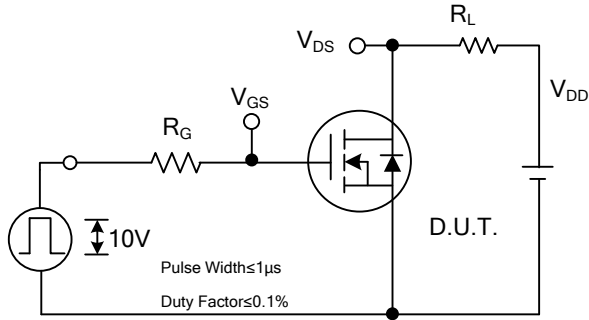
■ ELECTRICAL CHARACTERISTICS ( $T_C = 25^\circ\text{C}$  unless otherwise specified)

PARAMETER		SYMBOL	TEST CONDITIONS	MIN	TYP	MAX	UNIT	
<b>OFF CHARACTERISTICS</b>								
Drain-Source Breakdown Voltage		$BV_{DSS}$	$I_D=250\mu\text{A}, V_{GS}=0\text{V}$	900			V	
Breakdown Voltage Temperature Coefficient		$\Delta BV_{DSS}/\Delta T_J$	$I_D=250\mu\text{A}$ , Referenced to $25^\circ\text{C}$		1.0		$\text{V}/^\circ\text{C}$	
Drain-Source Leakage Current		$I_{DSS}$	$V_{DS}=900\text{V}, V_{GS}=0\text{V}$			10	$\mu\text{A}$	
			$V_{DS}=720\text{V}, T_C=125^\circ\text{C}$			100		
Gate- Source Leakage Current	Forward	$I_{GSS}$	$V_{GS}=+30\text{V}, V_{DS}=0\text{V}$			100	nA	
	Reverse		$V_{GS}=-30\text{V}, V_{DS}=0\text{V}$			-100	nA	
<b>ON CHARACTERISTICS</b>								
Gate Threshold Voltage		$V_{GS(TH)}$	$V_{DS}=V_{GS}, I_D=250\mu\text{A}$	3.0		5.0	V	
Static Drain-Source On-State Resistance		$R_{DS(ON)}$	$V_{GS}=10\text{V}, I_D=6\text{A}$		0.8	0.95	$\Omega$	
<b>DYNAMIC PARAMETERS</b>								
Input Capacitance		$C_{ISS}$	$V_{GS}=0\text{V}, V_{DS}=25\text{V}, f=1.0\text{MHz}$		4200		pF	
Output Capacitance		$C_{OSS}$				315		pF
Reverse Transfer Capacitance		$C_{RSS}$				90		pF
<b>SWITCHING PARAMETERS</b>								
Total Gate Charge		$Q_G$	$V_{GS}=10\text{V}, V_{DS}=720\text{V}, I_D=12\text{A}$ (Note 1, 2)		123	155	nC	
Gate to Source Charge		$Q_{GS}$			27	45	nC	
Gate to Drain Charge		$Q_{GD}$			49	80	nC	
Turn-ON Delay Time		$t_{D(ON)}$	$V_{DD}=450\text{V}, I_D=12\text{A}, R_G=25\Omega$ (Note 1, 2)		18	50	ns	
Rise Time		$t_R$			12	50	ns	
Turn-OFF Delay Time		$t_{D(OFF)}$			51	100	ns	
Fall-Time		$t_F$			18	50	ns	
<b>SOURCE- DRAIN DIODE RATINGS AND CHARACTERISTICS</b>								
Maximum Body-Diode Continuous Current		$I_S$				12	A	
Maximum Body-Diode Pulsed Current		$I_{SM}$				48	A	
Drain-Source Diode Forward Voltage		$V_{SD}$	$I_S=12\text{A}, V_{GS}=0\text{V}$			1.4	V	
Body Diode Reverse Recovery Time		$t_{rr}$	$V_{GS}=0\text{V}, I_S=12\text{A}$ ,		1000		ns	
Body Diode Reverse Recovery Charge		$Q_{RR}$	$di_F/dt=100\text{A}/\mu\text{s}$ (Note 1)		17.0		$\mu\text{C}$	

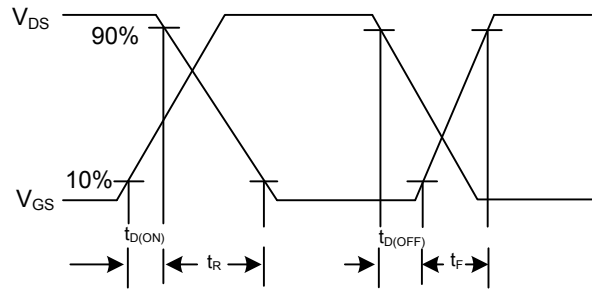
Note: 1. Pulse Test: Pulse width  $\leq 300\mu\text{s}$ , Duty cycle  $\leq 2\%$

2. Essentially independent of operating temperature

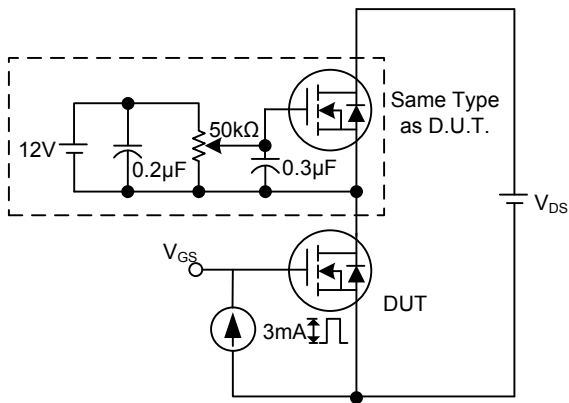
■ TEST CIRCUITS AND WAVEFORMS



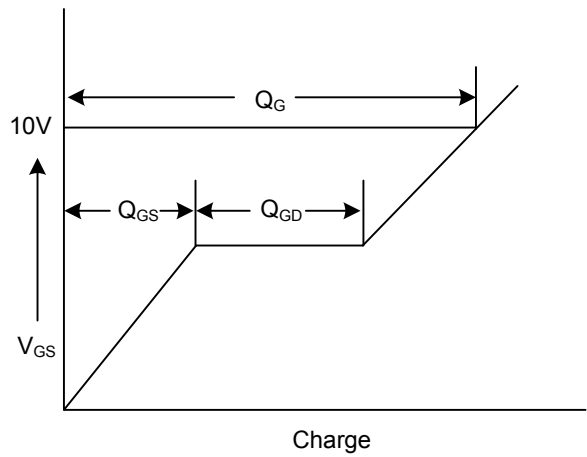
Switching Test Circuit



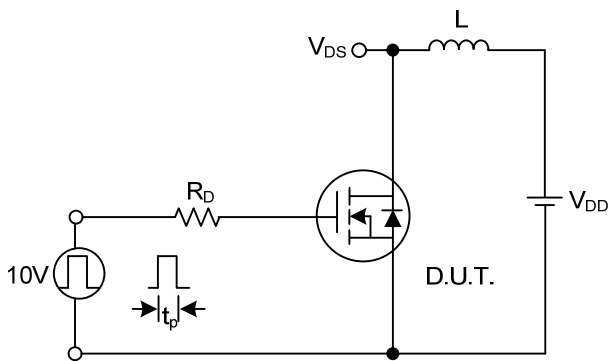
Switching Waveforms



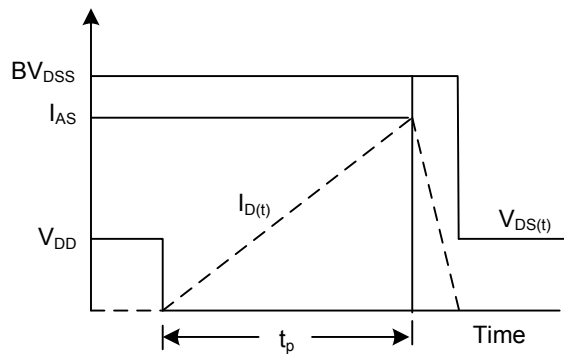
Gate Charge Test Circuit



Gate Charge Waveform

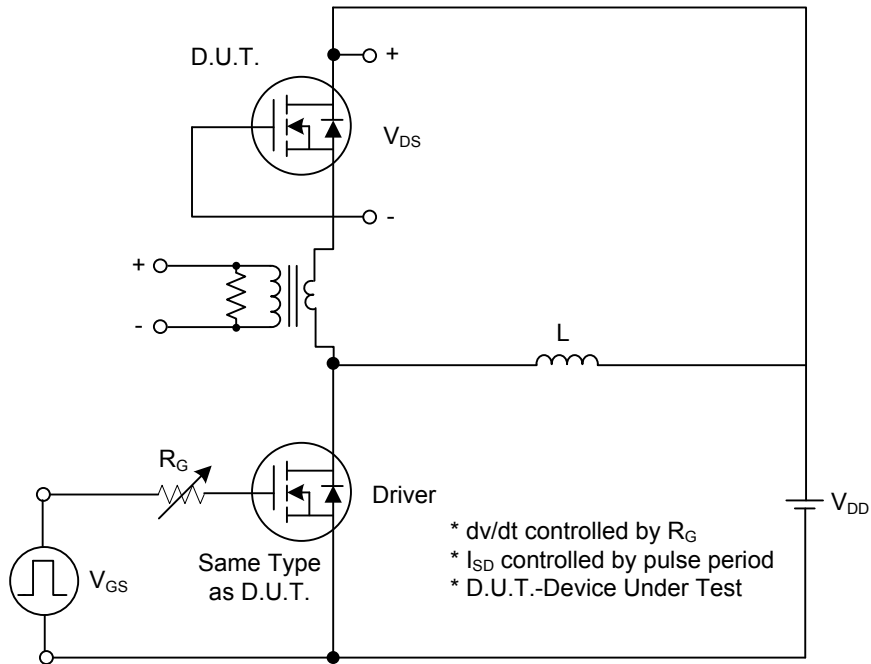


Unclamped Inductive Switching Test Circuit

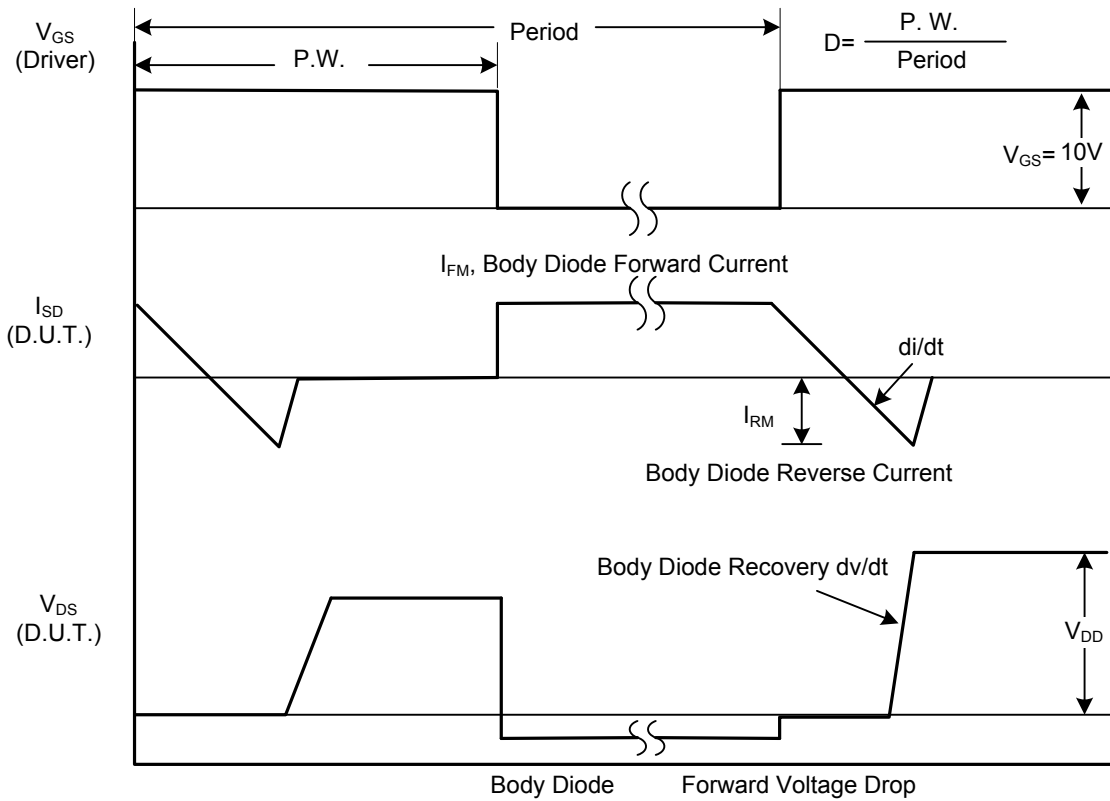


Unclamped Inductive Switching Waveforms

■ TEST CIRCUITS AND WAVEFORMS(Cont.)



Peak Diode Recovery  $dv/dt$  Test Circuit



Peak Diode Recovery  $dv/dt$  Waveforms

UTC assumes no responsibility for equipment failures that result from using products at values that exceed, even momentarily, rated values (such as maximum ratings, operating condition ranges, or other parameters) listed in products specifications of any and all UTC products described or contained herein. UTC products are not designed for use in life support appliances, devices or systems where malfunction of these products can be reasonably expected to result in personal injury. Reproduction in whole or in part is prohibited without the prior written consent of the copyright owner. The information presented in this document does not form part of any quotation or contract, is believed to be accurate and reliable and may be changed without notice.