

PLEASE CHECK WWW.MOLEX.COM FOR LATEST PART INFORMATION

Part Number: [0781651001](#)
Status: **Active**
Overview: [projector lamp connector](#)
Description: 13.00mm (.512") Pitch Projector Lamp Receptacle Housing, 2 Circuits, Lead free

Documents:

[3D Model](#) [RoHS Certificate of Compliance \(PDF\)](#)
[Drawing \(PDF\)](#)

Agency Certification

TUV R72081037

General

Product Family Crimp Housings
 Series [78165](#)
 Overview [projector lamp connector](#)
 Product Name N/A

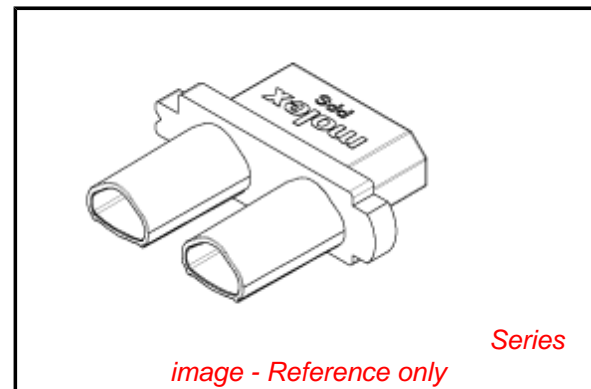
Physical

Breakaway No
 Circuits (maximum) 2
 Flammability 94V-0
 Gender Receptacle
 Glow-Wire Compliant No
 Number of Rows 1
 Packaging Type Bag
 Panel Mount No
 Pitch - Mating Interface (in) 0.512 In
 Pitch - Mating Interface (mm) 13.00 mm
 Polarized to Mating Part Yes
 Stackable No
 Temperature Range - Operating -20°C TO +150°C

Material Info

Reference - Drawing Numbers

Sales Drawing SD-78165-002



EU RoHS

ELV and RoHS Compliant
REACH SVHC
 Not Reviewed
Halogen-Free Status

China RoHS



Not Reviewed

Need more information on product environmental compliance?

Email productcompliance@molex.com
 For a multiple part number RoHS Certificate of Compliance, [click here](#)

Please visit the [Contact Us](#) section for any non-product compliance questions.

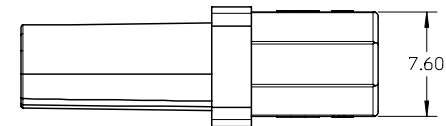
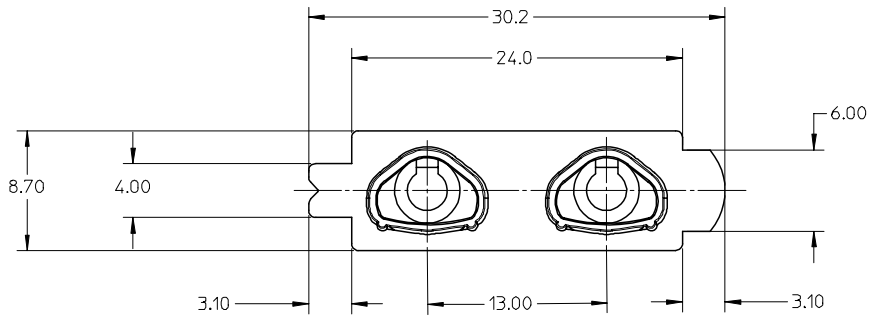
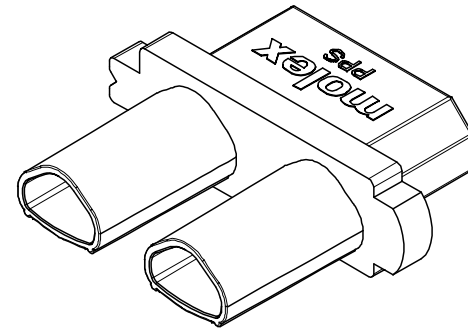
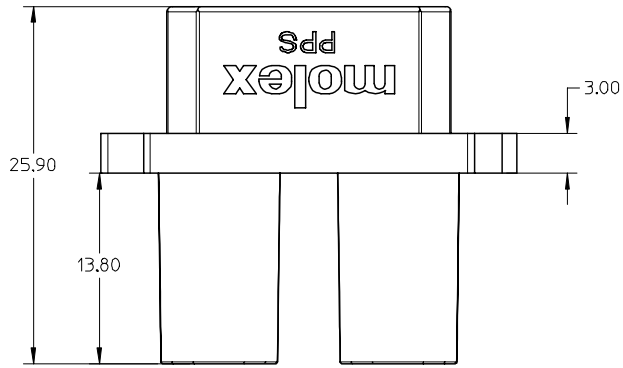
Search Parts in this Series

[78165Series](#)

Use With

[78036-2001 Terminal](#)

10 9 8 7 6 5 4 3 2 1



NOTES:

1. MATERIAL: PPS GLASS FILLED, UL94V-0, COLOR: BLACK
2. MATE WITH 78166 SERIES.
3. TERMINAL TO BE USED : P/N 78036-2001.
4. PACKAGING INFORMATION : BULK PACKAGING IN POLYBAG.
5. PRODUCT SPECIFICATION : PS-78036-001

NEW RELEASE	2007/03/01
EC NO: S2007-0748	2007/03/01
DRWN: BOKOK	2007/03/01
CHKD: CGOH	2007/03/01
APPR: KCLING	2007/03/02
REV	DESCRIPTION
A	

QUALITY SYMBOLS	▽=0
	▽=0

GENERAL TOLERANCES (UNLESS SPECIFIED)	
	mm INCH
4 PLACES	± --- ± ---
3 PLACES	± --- ± ---
2 PLACES	± 0.3 ± ---
1 PLACE	± 0.5 ± ---
ANGULAR ± 3 °	
DRAFT WHERE APPLICABLE MUST REMAIN WITHIN DIMENSIONS	

DIMENSION STYLE	
MM ONLY	
DRAWN BY	DATE
BOKOK	2007/02/26
CHECKED BY	DATE
CGOH	2007/03/01
APPROVED BY	DATE
KCLING	2007/03/01
MATERIAL NO.	
78165-1001	
SIZE	
A3	

SCALE	DESIGN UNITS	THIRD ANGLE PROJECTION	
NTS	METRIC		
TITLE		PROJECTOR LAMP CONNECTOR 13MM PITCH, RECEPTACLE HOUSING	
MOLEX INCORPORATED			
DOCUMENT NO.		SHEET NO.	
SD-78165-002		1 OF 1	
THIS DRAWING CONTAINS INFORMATION THAT IS PROPRIETARY TO MOLEX INCORPORATED AND SHOULD NOT BE USED WITHOUT WRITTEN PERMISSION			

9 8 7 6 5 4 3 2 1