

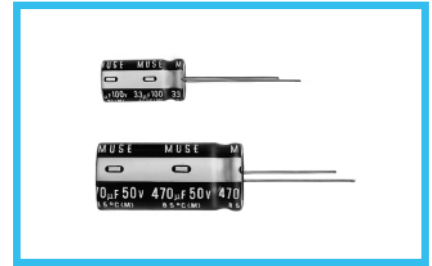
ALUMINUM ELECTROLYTIC CAPACITORS



Premium Grade Type, For Audio Equipment



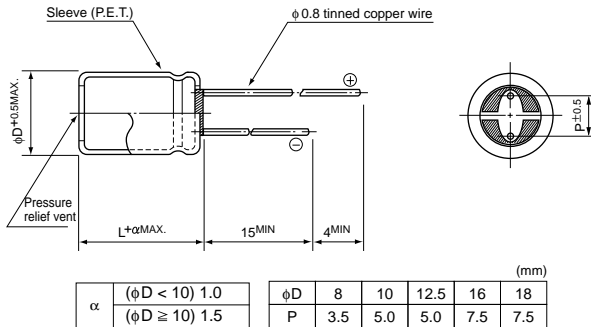
- Premium grade “nichicon MUSE” acoustic series.
- Ideally suited for first class audio equipment where qualitative and quantitative comfortableness is required.
- Compliant to the RoHS directive (2002/95/EC).



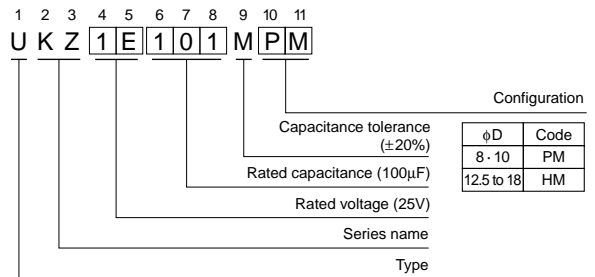
Specifications

Item	Performance Characteristics				
Category Temperature Range	-40 to +85°C				
Rated Voltage Range	25 to 100V				
Rated Capacitance Range	10 to 1000μF				
Capacitance Tolerance	±20% at 120Hz, 20°C				
Leakage Current	After 1 minute's application of rated voltage, leakage current is 0.01CV or less.				
Tangent of loss angle (tan δ)	Measurement frequency : 120Hz at 20°C				
	Rated voltage (V)	25	50	100	
	tan δ (MAX.)	0.12	0.08	0.07	
Stability at Low Temperature	Measurement frequency : 120Hz				
	Rated voltage (V)	25	50	100	
	Impedance ratio	Z-25°C / Z+20°C	2	2	2
	ZT / Z20 (MAX.)	Z-40°C / Z+20°C	4	3	3
Endurance	The specifications listed at right shall be met when the capacitors are restored to 20°C after the rated voltage is applied for 1000 hours at 85°C.				
	Capacitance change	Within ±20% of the initial capacitance value			
	tan δ	150% or less than the initial specified value			
	Leakage Current	Less than or equal to the initial specified value			
Shelf Life	After storing the capacitors under no load at 85°C for 1000 hours and then performing voltage treatment based on JIS C 5101-4 clause 4.1 at 20°C, they shall meet the specified values for the endurance characteristics listed above.				
Marking	Printed with gold color letter on black sleeve.				

Radial Lead Type



Type numbering system (Example : 25V 100μF)



• Please refer to page 20 about the end seal configuration.

Dimensions

		φD × L (mm)		
Cap.(μF)	V	25	50	100
	Code	1E	1H	2A
10	100			8 × 11.5
22	220		8 × 11.5	10 × 16
33	330	8 × 11.5	10 × 12.5	10 × 20
47	470	10 × 12.5	10 × 16	12.5 × 20
100	101	10 × 16	12.5 × 20	16 × 25
220	221	12.5 × 20	16 × 25	16 × 35.5
330	331	12.5 × 25	16 × 31.5	18 × 35.5
470	471	16 × 25	16 × 35.5	
1000	102	16 × 35.5	18 × 40	

Please refer to page 20, 21, 22 about the formed or taped product spec.
Please refer to page 4 for the minimum order quantity.

Mouser Electronics

Authorized Distributor

Click to View Pricing, Inventory, Delivery & Lifecycle Information:

Nichicon:

[UKZ1E101MPB](#) [UKZ1E102MHB](#) [UKZ1E221MHB](#) [UKZ1E330MPB](#) [UKZ1E471MHB](#) [UKZ1H471MHB](#)
[LGZ2E151MHSB](#) [UKZ1E101MPM](#) [UKZ1E102MHM](#) [UKZ1E221MHM](#) [UKZ1E330MPM](#) [UKZ1E331MHM](#)
[UKZ1E470MPM](#) [UKZ1E471MHM](#) [UKZ1H101MHM](#) [UKZ1H102MHM](#) [UKZ1H221MHM](#) [UKZ1H330MPM](#)
[UKZ1H331MHM](#) [UKZ1H470MPM](#) [UKZ1H471MHM](#) [UKZ2A100MPM](#) [UKZ2A101MHM](#) [UKZ2A220MPM](#)
[UKZ2A221MHM](#) [UKZ2A330MPM](#) [UKZ2A331MHM](#) [UKZ2A470MHM](#)