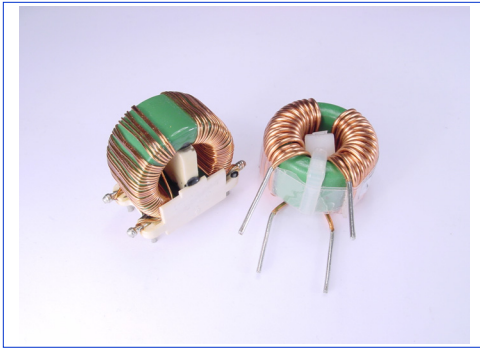


COMMON MODE CHOKE



P52TM12 SERIES



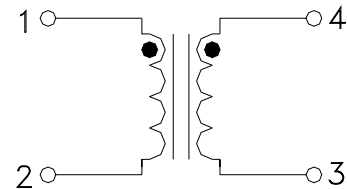
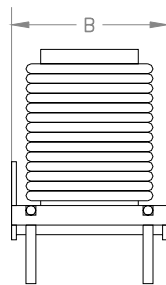
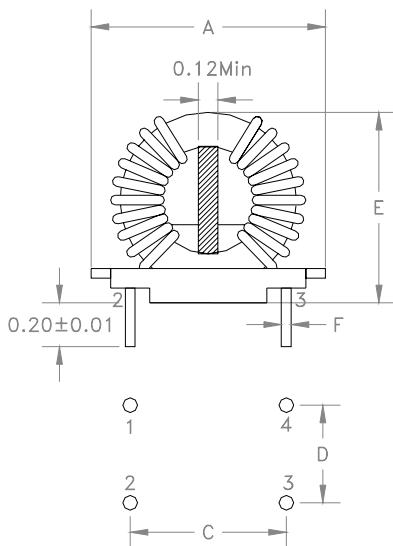
- RoHS Compliant Product
- Operating Temperature: -40°C to +85°C
- Custom design available
- Hipot: 2000V_{RMS} (1-2 to 4-3)
- Turns Ratio: 1:1 (1-2 to 4-3)
- Inductance tested @ 1KHz, 0.1V_{RMS} (1-2, 4-3)
- Polarity: 1 and 4 are in phase
- Polarity: ΔT of 35°C temperature rise at rated I_{RMS}

ELECTRICAL SPECIFICATION @ 25°C

PART NO	L Min (mH)	RATED I _{RMS} (A)	DCR Max (mΩ)	DIM A Max	DIM B Max	DIM C ±0.010"	DIM D ±0.010"	DIM E Max	DIM F ±0.005"
P52TM12-									
103-8	10.0	8	40	1.35	0.70	0.800	0.400	1.30	0.050
702-9	7.00	9	35	1.35	0.70	0.800	0.400	1.30	0.050
502-10	5.00	10	25	1.35	0.70	0.800	0.400	1.30	0.050
202-12	2.00	12	20	1.35	0.70	0.800	0.400	1.30	0.050
102-13	1.00	13	12	1.35	0.70	0.800	0.400	1.30	0.050
501-16	0.50	16	7	1.35	0.70	0.800	0.400	1.30	0.050
251-18	0.25	18	5	1.35	0.70	0.800	0.400	1.30	0.050

Mechanical

Schematic



Dimensions

Unless otherwise specified, all tolerances are:

inch: .XX : ± 0.015 .XX : ±0.004

mm: X,X : ± 0,38 X,XX : ±0,10

Product performance is limited to specified parameter. Data is subject to change without prior notice.

P52TM12-XXX
05473W

2463 208th, Ste. 205
Torrance, CA 90501

Phone: (310)533-1455
Fax: (310)533-1853

<http://www.mpsind.com>
Email: sales@mpsind.com