

PLEASE CHECK WWW.MOLEX.COM FOR LATEST PART INFORMATION

Part Number: [0441330408](#)
Status: **Active**
Overview: [microfit_30](#)
Description: 3.00mm (.118") Micro-Fit 3.0 BMI™ Receptacle Housing, Dual Row, Panel Mount, 4 Circuits, PBT Polyester, UL 94V-0, Halogen Free

Documents:

[3D Model](#) [Product Specification PS-44300-001 \(PDF\)](#)
[Drawing \(PDF\)](#) [RoHS Certificate of Compliance \(PDF\)](#)

Agency Certification

CSA	LR19980
TUV	R72081037
UL	E29179

General

Product Family	Crimp Housings
Series	44133
Comments	Halogen Free
Overview	microfit_30
Product Name	Micro-Fit 3.0 BMI™

Physical

Circuits (maximum)	4
Color - Resin	Black
Flammability	94V-0
Gender	Female
Glow-Wire Compliant	No
Lock to Mating Part	None
Material - Resin	Polyester
Number of Rows	2
Packaging Type	Bag
Panel Mount	Yes
Pitch - Mating Interface (in)	0.118 In
Pitch - Mating Interface (mm)	3.00 mm
Polarized to Mating Part	Yes
Stackable	No
Temperature Range - Operating	-40°C to +105°C

Electrical

Current - Maximum per Contact	5A
-------------------------------	----

Material Info

Reference - Drawing Numbers

Packaging Specification	PK-44133-002
Product Specification	PS-44300-001
Sales Drawing	SD-44133-003

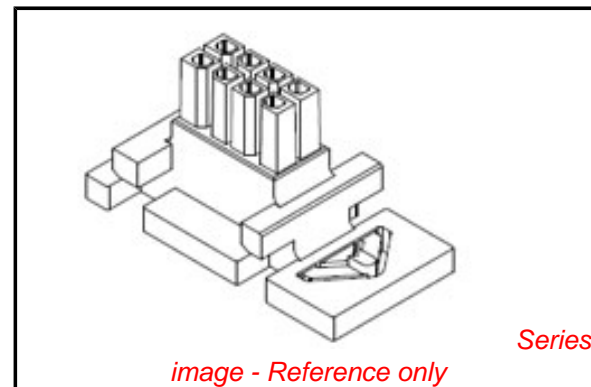


image - Reference only

EU RoHS

ELV and RoHS Compliant
REACH SVHC Contains SVHC: No
Halogen-Free Status

China RoHS



Halogen-Free

Need more information on product environmental compliance?

Email productcompliance@molex.com
 For a multiple part number RoHS Certificate of Compliance, [click here](#)

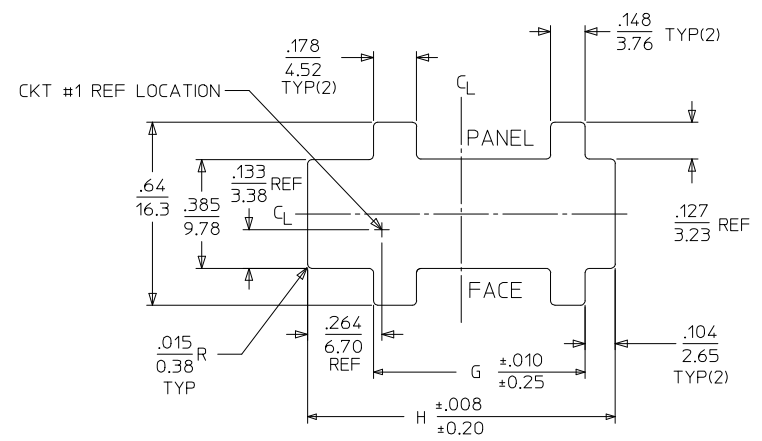
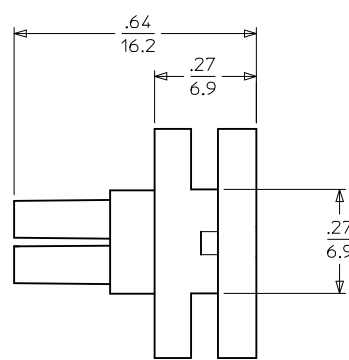
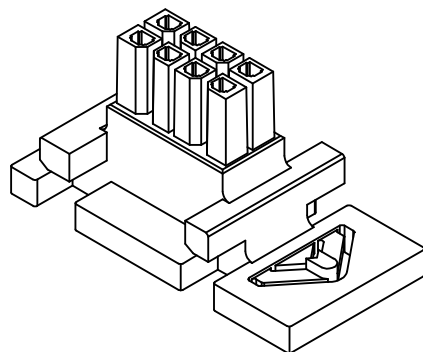
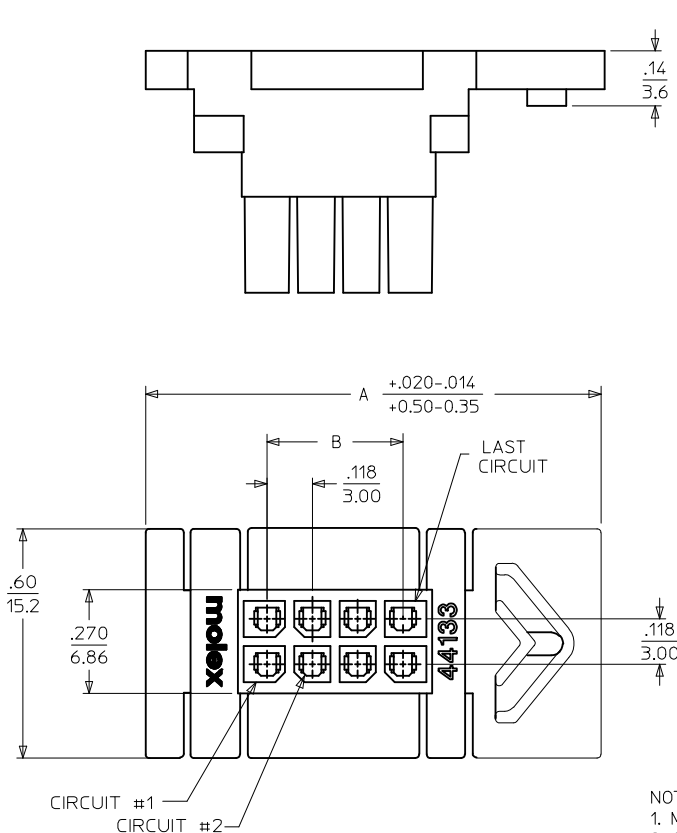
Please visit the [Contact Us](#) section for any non-product compliance questions.

Search Parts in this Series

[44133Series](#)

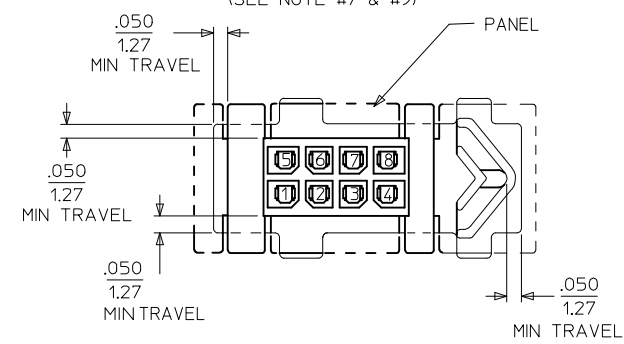
Use With

[43030 Crimp Terminal](#)



RECOMMENDED PANEL CUT-OUT

(SEE NOTE #7 & #9)



RECEPTACLE SHOWN MOUNTED IN PANEL

NOTES:

1. MATERIAL: UNFILLED NYLON 6, UL94V-0, COLOR: BLACK
2. FINISH: N/A
3. PRODUCT SPECIFICATION: PS-44300-001
4. PACKAGING SPECIFICATION: TRAY PACKED PER PK-44133-002
5. THIS RECEPTACLE MATES WITH MOLEX BMI PLUG 44300, MOLEX BMI VERTICAL PCB HEADER 44432, MOLEX BMI RIGHT ANGLE PCB HEADER 44428, & MOLEX BMI CPI VERTICAL PCB HEADER 45280.
6. THIS RECEPTACLE TO BE USED WITH MOLEX FEMALE CRIMP TERMINALS ONLY. (MOLEX DRAWING SD-43030-****) SEE SECTION "A"- "A" FOR TERMINAL ORIENTATION IN HOUSING.
7. THIS RECEPTACLE IS DESIGNED FOR USE WITH .060/1.52 MAX. TO .050/1.27 MINIMUM THICK PANELS.
8. DIMENSIONS GIVEN ACROSS CENTERLINES ARE SYMMETRICAL ABOUT THOSE CENTERLINES WITHIN THE TOTAL TOLERANCE.
9. WHEN MATING WITH 44300 SERIES, THE PANEL CUT-OUT CENTERLINES OF DIM "H" AND .385/9.78 MUST ALIGN WITH POINT "M" DEFINED BY MOLEX DRAWING SD-44300-001.
10. MOLEX RECOMMENDS THE USE OF MICRO-FIT TEST PLUG (SERIES 44242) WHENEVER CONTINUITY TESTING IS PERFORMED. TEST PLUGS MUST NOT BE USED TO MAKE OR BREAK UNDER LOAD. MOLEX DOES NOT RECOMMEND USING STANDARD MATING COMPONENTS (SERIES 44428, 44432, 44300 OR 45280) FOR HARNESS TESTING PURPOSES.
11. HOUSINGS MAY EXHIBIT A SURFACE IMPERFECTION KNOWN AS "SINK MARKS" UP TO .024/(0.60) MAX. THIS IS A COSMETIC DEFECT AND DOES NOT EFFECT FUNCTION OF THE CONNECTOR.
12. THIS PART CONFORMS TO CLASS 'B' REQUIREMENTS OF COSMETIC SPECIFICATION PS-45499-002.

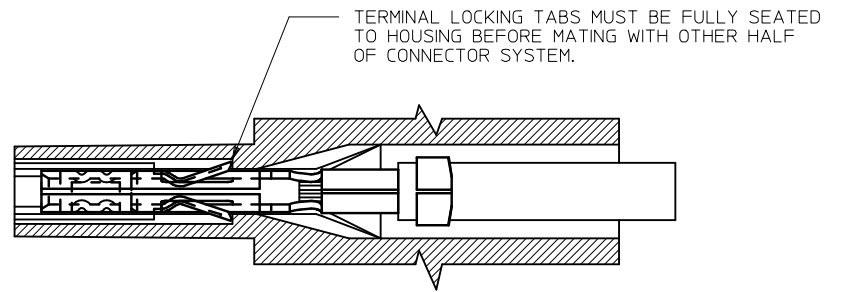
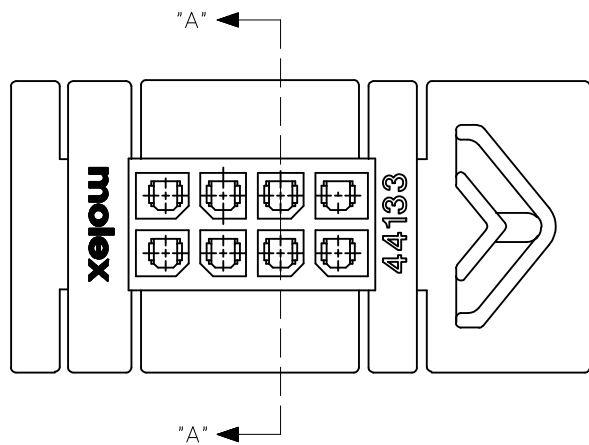
CKT. SIZE	MATERIAL NUMBER	DIM "A"	DIM "B"	DIM "G"	DIM "H"
04	44133-0408	.97 24.6	.118 3.00	.530 13.46	.870 22.10
06	44133-0608	1.09 27.7	.236 6.00	.648 16.46	.988 25.10
08	44133-0808	1.21 30.7	.354 9.00	.766 19.46	1.106 28.10
10	44133-1008	1.33 33.8	.472 12.00	.884 22.46	1.224 31.10
12	44133-1208	1.45 36.8	.591 15.00	1.002 25.46	1.343 34.10
14		1.57 39.9	.709 18.00	1.120 28.46	1.461 37.10
16		1.69 42.9	.827 21.00	1.239 31.46	1.579 40.10
18		1.81 46.0	.945 24.00	1.357 34.46	1.697 43.10
20		1.93 49.0	1.063 27.00	1.475 37.46	1.815 46.10
22		2.04 51.8	1.181 30.00	1.593 40.46	1.933 49.10
24		2.16 54.9	1.299 33.00	1.711 43.46	2.051 52.10

ADD 6 AND 8 CKT
 EC NO: UCP2010-0829
 DRW:SSOUSEK 2009/10/08
 CHK:DKK/PPER 2009/10/27
 APPR:FSM/TH 2009/10/27

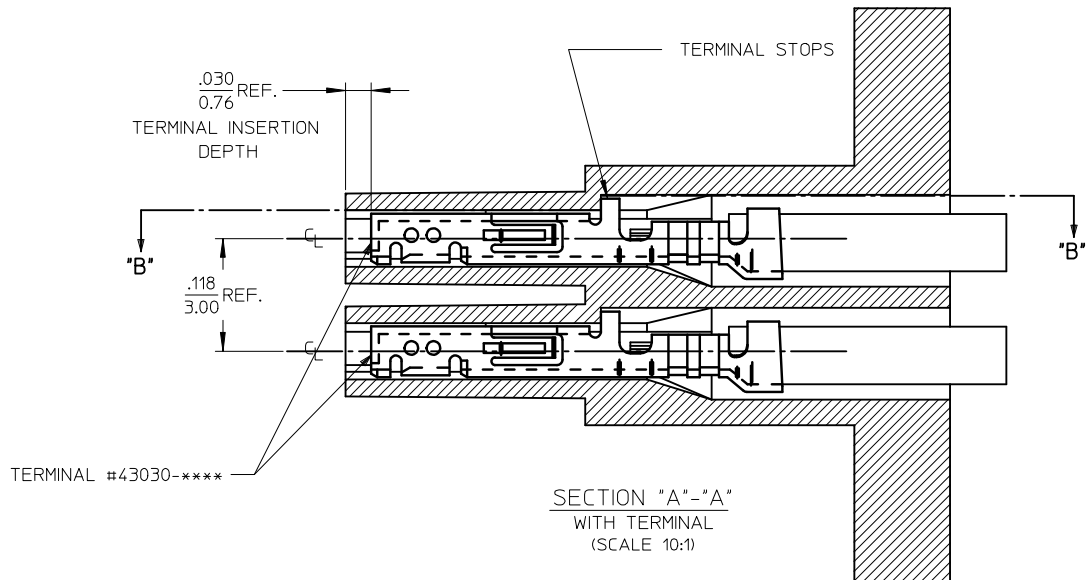
QUALITY SYMBOLS
 ▽=0
 ▽=0

REV: B1

GENERAL TOLERANCES (UNLESS SPECIFIED)	DIMENSION STYLE		SCALE	DESIGN UNITS	THIRD ANGLE PROJECTION
	mm	INCH	---	METRIC	
4 PLACES ± ---	± ---	DRAWN BY	DATE	TITLE	
3 PLACES ± ---	± .010	GAVERRILL	2008/07/02	MICRO-FIT (3.0)	
2 PLACES ± .025	± .014	CHECKED BY	DATE	BMI FLOATING PANEL	
1 PLACE ± 0.35	± ---	SSOUSEK	2008/07/09	RECEPTACLE, HALOGEN-FREE	
ANGULAR ± 1/2°		APPROVED BY	DATE	MOLEX INCORPORATED	
		FSMITH	2008/07/16	MATERIAL NO. DOCUMENT NO. SHEET NO.	
DRAFT WHERE APPLICABLE MUST REMAIN WITHIN DIMENSIONS	SEE CHART		SD-44133-003		1 OF 2
THIS DRAWING CONTAINS INFORMATION THAT IS PROPRIETARY TO MOLEX INCORPORATED AND SHOULD NOT BE USED WITHOUT WRITTEN PERMISSION					



SECTION "B"- "B"
(SCALE 10:1)



SECTION "A"- "A"
WITH TERMINAL
(SCALE 10:1)

INITIAL RELEASE EC NO: UCP2009-1371 DRAWN:SSOUSEK 2008/11/26 CHKD:MKIPPER 2008/12/02 APPR:FSMITH 2008/12/02	QUALITY SYMBOLS ▽=0 ▽=0	GENERAL TOLERANCES (UNLESS SPECIFIED)		DIMENSION STYLE IN/MM		SCALE ---	DESIGN UNITS METRIC	THIRD ANGLE PROJECTION
		4 PLACES ± --- ± ---	DRAWN BY SSOUSEK	DATE 2008/11/24	TITLE MICRO-FIT (3.0) BMI FLOATING PANEL RECEPTACLE, HALOGEN-FREE			
		3 PLACES ± --- ± .010	CHECKED BY MKIPPER	DATE 2008/11/25	MOLEX INCORPORATED			
		2 PLACES ± 0.25 ± .014 1 PLACE ± 0.35 ± --- ANGULAR ±1/2°	APPROVED BY FSMITH	DATE 2008/11/26	MATERIAL NO. SEE CHART	DOCUMENT NO. SD-44133-003	SHEET NO. 2 OF 2	
DRAFT WHERE APPLICABLE MUST REMAIN WITHIN DIMENSIONS		THIS DRAWING CONTAINS INFORMATION THAT IS PROPRIETARY TO MOLEX INCORPORATED AND SHOULD NOT BE USED WITHOUT WRITTEN PERMISSION						