



■ Features :

- True sine wave output (THD<3%)
- High surge power up to 400W
- High efficiency up to 88%
- Fanless design, cooling by free air convection
- Built-in remote ON-OFF control
- Front panel indicator for operation status
- Power ON-OFF switch
- Protections: Bat. low alarm / Bat. low shutdown / Over voltage / Over temp. / Output short / Input reverse polarity / Overload
- Application : Home appliance, power tools, office and portable equipment, vehicle and yacht ...etc.
- 2 years warranty



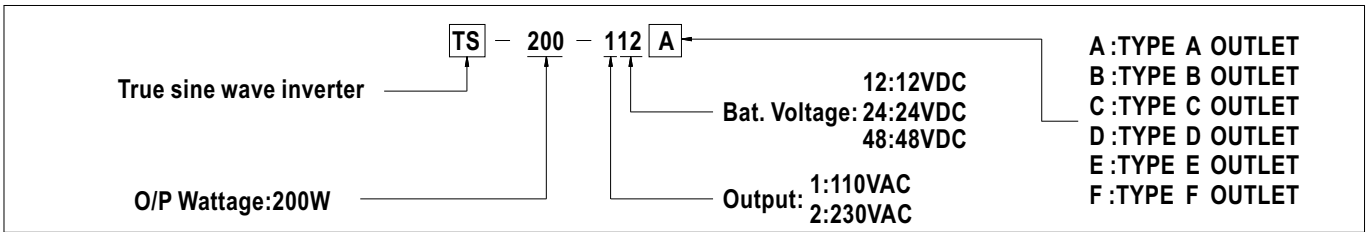
**SPECIFICATION**

| MODEL                    | TS-200-112□  | TS-200-124□   | TS-200-148□ | TS-200-212□  | TS-200-224□   | TS-200-248□ |            |
|--------------------------|--|---|-------------|--|---|-------------|------------|
| OUTPUT                   | <b>RATED POWER</b> 200W  |   |             |  |   |             |            |
|                          | <b>MAXIMUM OUTPUT POWER</b> 230W for 180 sec. / 300W for 10 sec. / surge power 400W for 30 cycles(typ.)  |   |             |  |   |             |            |
|                          | <b>AC VOLTAGE</b> Factory setting set at 110VAC<br>100 / 110 / 115 / 120VAC selectable by setting button S.W   |   |             | Factory setting set at 230VAC<br>200 / 220 / 230 / 240VAC selectable by setting button S.W |   |             |            |
|                          | <b>FREQUENCY</b> 60±0.1Hz 50/60Hz selectable by setting button   |   |             |  |   |             |            |
|                          | <b>WAVEFORM</b> True sine wave (THD<3%) at rated input voltage   |   |             |  |   |             |            |
|                          | <b>AC REGULATION</b> typ. ±3.0%, at rated input voltage  |   |             |  |   |             |            |
|                          | <b>FRONT PANEL INDICATOR</b> Operation status ; Green : normal, Orange(flashing) : remote control OFF, Red : abnormal  |   |             |  |   |             |            |
| INPUT                    | <b>BAT. VOLTAGE</b>  | 12V   | 24V         | 48V  | 12V   | 24V         | 48V        |
|                          | <b>VOLTAGE RANGE (Typ.)</b>  | 10.5 ~ 15VDC  | 21 ~ 30VDC  | 42 ~ 60VDC   | 10.5 ~ 15VDC  | 21 ~ 30VDC  | 42 ~ 60VDC |
|                          | <b>DC CURRENT (Typ.)</b>   | 20A   | 10A         | 5A   | 20A   | 10A         | 5A         |
|                          | <b>NO LOAD CURRENT DRAW typ.</b>   | 1.25A   | 0.63A       | 0.32A  | 1.25A   | 0.63A       | 0.62A      |
|                          | <b>OFF MODE CURRENT DRAW</b>   | ≤1mA  |             |  |   |             |            |
|                          | <b>EFFICIENCY (Typ.)</b> Note.1  | 86%   | 87.5%       | 88%  | 86%   | 87.5%       | 88%        |
|                          | <b>BATTERY TYPES</b>   | Open & sealed Lead Acid   |             |  |   |             |            |
| BATTERY INPUT PROTECTION | <b>FUSE</b>  | 30A*2   | 30A*1       | 15A*1  | 30A*2   | 30A*1       | 15A*1      |
|                          | <b>BAT. LOW ALARM</b>  | 11.3±4%   | 22.5±4%     | 45±4%  | 11.3±4%   | 22.5±4%     | 45±4%      |
|                          | <b>BAT. LOW SHUTDOWN</b>   | 10.5±4%   | 21±4%       | 42±4%  | 10.5±4%   | 21±4%       | 42±4%      |
|                          | <b>BAT. POLARITY</b>   | By internal fuse open   |             |  |   |             |            |
| OUTPUT PROTECTION        | <b>OVER TEMPERATURE</b>  | 85°C±5°C  | 80°C±5°C    | 80°C±5°C   | 85°C±5°C  | 80°C±5°C    | 80°C±5°C   |
|                          | <b>OUTPUT SHORT</b>  | Protection type : Shut down o/p voltage, re-power on to recover; by internal RTH1 detect power transistor                     |             |  |   |             |            |
|                          | <b>OVER LOAD (Typ.)</b>  | 105 ~ 115% load for 180 sec., 115% ~ 150% load for 10 sec.<br>Protection type : Shut down o/p voltage, re-power on to recover |             |  |   |             |            |
|                          | <b>GFCI PROTECTION</b>   | Optional (Only type F)  |             |  | None  |             |            |
| FUNCTION                 | <b>REMOTE CONTROL</b> Open : Normal work ; Short : Remote off  |   |             |  |   |             |            |
| ENVIRONMENT              | <b>WORKING TEMP.</b>   | -10 ~ +35°C @ 100% load ; +60°C @ 50% load  |             |  | -10 ~ +40°C @ 100% load, +60°C 50% load                         |             |            |
|                          | <b>WORKING HUMIDITY</b>  | 20% ~ 90% RH non-condensing   |             |  |   |             |            |
|                          | <b>STORAGE TEMP., HUMIDITY</b>   | -30 ~ +70°C / -22 ~ +158°F, 10 ~ 95% RH   |             |  |   |             |            |
|                          | <b>VIBRATION</b>   | 10 ~ 500Hz, 3G 10min./1cycle, 60min. each along X, Y, Z axes  |             |  |   |             |            |
| SAFETY & EMC             | <b>SAFETY STANDARDS</b>  | Design refer to UL458   |             | None   |   |             |            |
|                          | <b>LVD</b>   | None  |             |  | EN60950-1   |             |            |
|                          | <b>WITHSTAND VOLTAGE</b>   | Bat. I/P - AC O/P:3.0KVAC AC O/P - FG:1.5KVAC   |             |  |   |             |            |
|                          | <b>ISOLATION RESISTANCE</b>  | Bat. I/P-AC O/P, AC O/P-FG:100M Ohms / 500VDC / 25°C / 70% RH   |             |  |   |             |            |
|                          | <b>EMI CONDUCTION&amp;RADIATION</b>  | Compliance to FCC class A   |             |  | Compliance to EN55022 class A, 72/ 245/ CEE, 95/ 54/ CE, E-Mark |             |            |
|                          | <b>EMS IMMUNITY</b>  | None  |             |  | Compliance to EN61000-4-2,3,8 ENV50204                          |             |            |
| OTHERS                   | <b>DIMENSION</b>   | 205*158*59mm (L*W*H)  |             |  |   |             |            |
|                          | <b>PACKING</b>   | 1.63Kg; 6pcs/10.8Kg/1.44CUFT  |             |  |   |             |            |
| NOTE                     | 1.Efficiency is tested by 200W, linear load at 12V/24V/48V input voltage.<br>2.All parameters not specified above are measured at rated load, 25°C of ambient temperature. |   |             |  |   |             |            |



200W True Sine Wave DC-AC Power Inverter

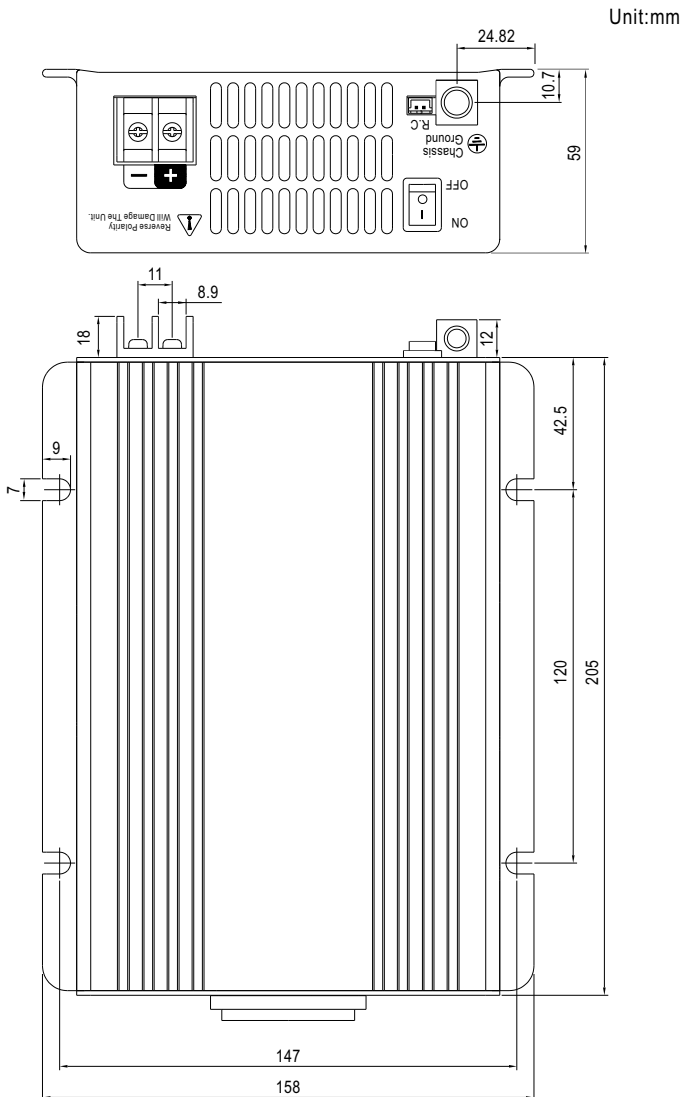
**TS-200** series



■ AC Output Receptacles (optional)

| Receptacle type |     |        |           |     |       |      |
|-----------------|-----|--------|-----------|-----|-------|------|
| Country         | USA | EUROPE | AUSTRALIA | U.K | JAPAN | GFCI |
| Certificate     |     |        |           |     |       |      |

■ Mechanical Specification



■ Derating Curve

