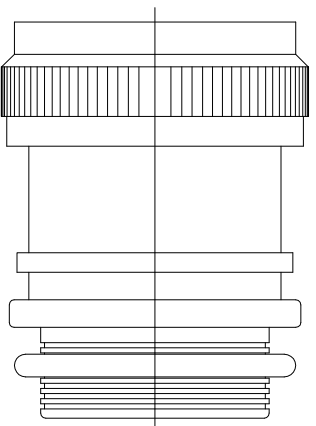


TE CONNECTIVITY RESERVES THE RIGHT TO AMEND THIS DRAWING AT ANY TIME. USERS SHOULD EVALUATE THE SUITABILITY OF THE PRODUCT FOR THEIR APPLICATION.

REVISIONS		DATE	APPROVED
LTR	DESCRIPTION		
G1	REVISED PER ECO-11-005139	29MAR11	HMR



CODE 41 TINEL-LOCK ADAPTER

NOTES:



- THIS PRODUCT IS DESIGNED TO TERMINATE A BRAIDED CABLE SHIELD AND A HEAT SHRINKABLE LIPPED BOOT TO A CONNECTOR.
- SEE CH00-0250-008 FOR ORDERING INFORMATION, MODIFICATIONS AND ADDITIONAL DIMENSIONS.
- SEE DRAWING "TR" FOR DETAILS ON TINEL-LOCK RING. RINGS ARE DESIGNED TO BE HEATED ELECTRICALLY. ALL RINGS ARE MARKED WITH THERMOCHROMIC PAINT WHICH CHANGES COLOR WHEN INSTALLATION TEMPERATURE IS REACHED.
- ADAPTER TO BE PERMANENTLY MARKED WITH CODE IDENT. NO. AND PART NO. LESS RING DESIGNATOR (E.G.: 06090-TXR41AB00-1206). RINGS SHALL BEAR NO MARKING.
- FOR LARGER ENTRY SIZES, A 2 PIECE ADAPTER (TYPE II) IS SUPPLIED.
- ADAPTER MATES TO MIL-C-38999, SERIES I & II, CLASS E AND T, MS27466, MS27467, MS27468, MS27472, MS27473, MS27474, MS27479, MS27480, MS27481, MS27484, MS27497, MS27652, MS27653, MS27656 CONNECTORS.
- THESE DIMENSIONS APPLY IF A SELF-LOCKING COUPLING NUT IS USED.

IF THIS DOCUMENT IS PRINTED IT BECOMES UNCONTROLLED.CHECK FOR THE LATEST REVISION.

TINEL-LOCK™ is a trademark of TE Connectivity

©2006,2011 Tyco Electronics Corporation,a TE connectivity Ltd.company. All rights reserved.

SPECIFICATION CONTROL DRAWING

DRAWN	R. RAMIREZ	03-18-93		TE Connectivity 300 Constitution Drive Menlo Park, CA. 94025 U.S.A.	
CHECKED	---	---			
APPROVED	W.C. GAY	05-19-93	TITLE		
REVISED	MFORONDA	5/22/06	TINEL-LOCK ADAPTER		
CAD NAME:			R060312A.dwg		

TITLE

TINEL-LOCK ADAPTER

DECIMALS

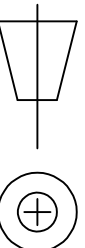
.XXX ± 0.005 [0.13 mm]

.XX ± 0.01 [0.25 mm]

.X ± 0.1 [0.50 mm]

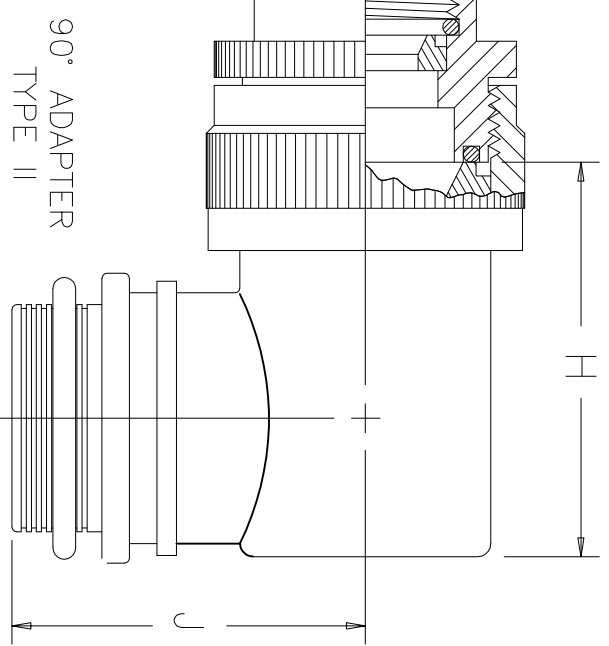
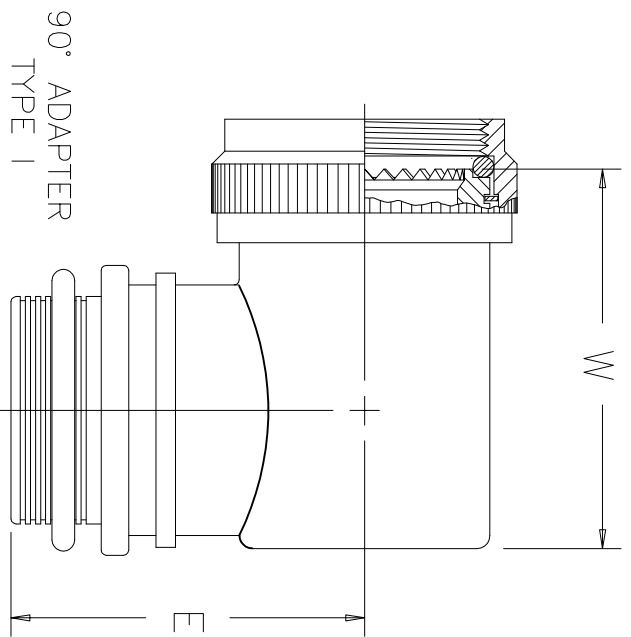
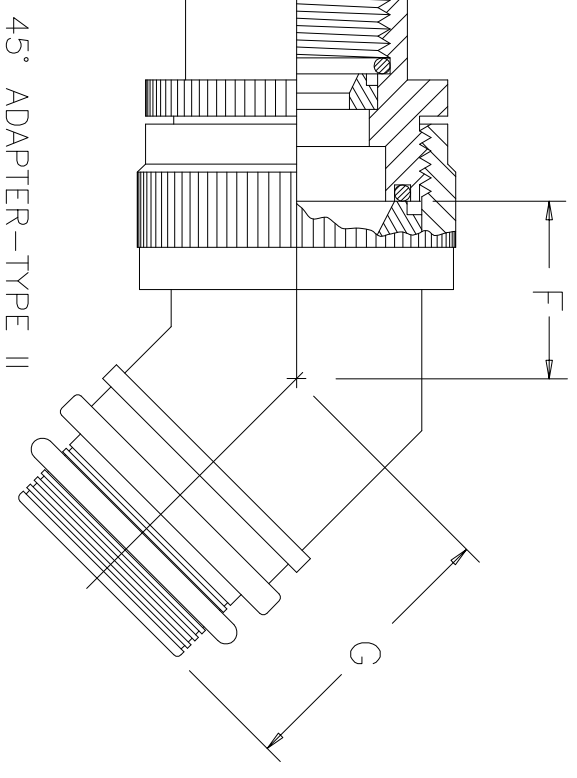
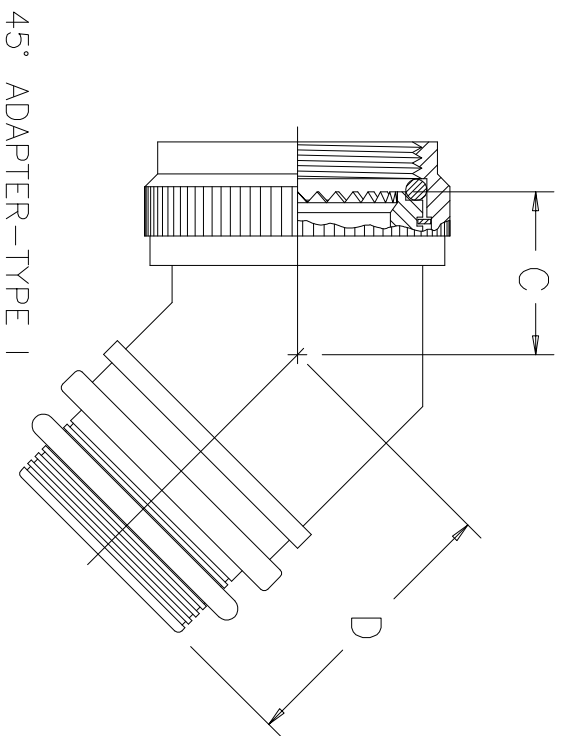
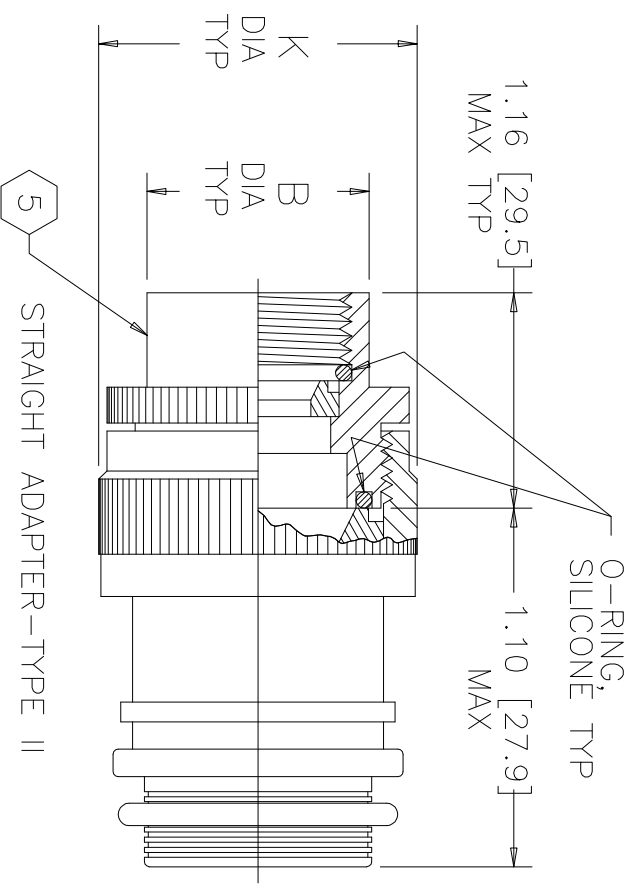
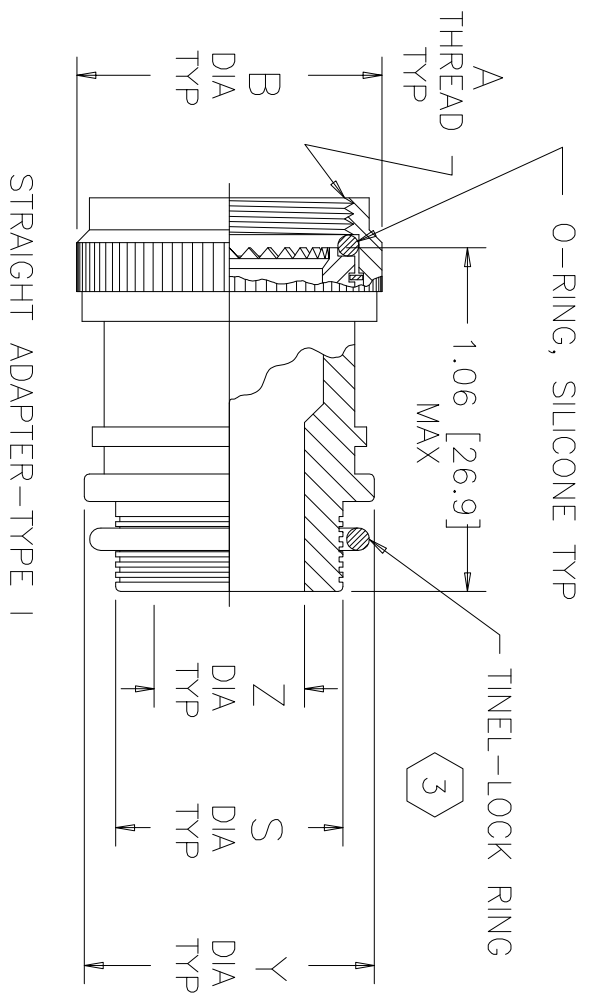
ANGLES

.X ± 0.5 DEG

THIRD ANGLE PROJECTION	
------------------------	--

SIZE	CODE IDENT. NO.	DWG. NO.	SHEET	OF
A	06090	TXR41	1	3
DO NOT SCALE THIS DRAWING				

IF THIS DOCUMENT IS PRINTED IT BECOMES UNCONTROLLED.CHECK FOR THE LATEST REVISION.



SPECIFICATION CONTROL DRAWING

SIZE	CODE IDENT. NO.	DWG. NO.	REV
A	06090	TXR41	G1
DO NOT SCALE THIS DRAWING			SHEET 2 OF 3
CAD NAME: R060312B.dwg			



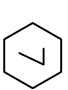
ORDER NO.	SHELL SIZE 		MAX ENTRY SIZE TYPE 1 	A UNIFIED CLASS 2B	B DIA MAX	B DIA MAX 	C MAX	D MAX	E MAX
	SER 1	SER 2							
08	9	8	04	.438-28 UNEF	.750 [19.1]	.969 [24.6]	.69 [17.5]	.91 [23.1]	1.15 [29.2]
10	11	10	06	.562-24 UNEF	.850 [21.6]	1.063 [27.0]	.72 [18.3]	.93 [23.6]	1.21 [30.7]
12	13	12	08	.688-24 UNEF	1.000 [24.4]	1.219 [31.0]	.74 [18.8]	.96 [24.4]	1.28 [32.5]
14	15	14	10	.812-20 UNEF	1.142 [29.0]	1.406 [35.7]	.76 [19.3]	.98 [24.9]	1.34 [34.0]
16	17	16	12	.938-20 UNEF	1.250 [31.8]	1.469 [37.3]	.79 [20.1]	1.00 [25.4]	1.40 [35.6]
18	19	18	12	1.062-18 UNEF	1.400 [35.6]	1.594 [40.5]	.81 [20.6]	1.03 [26.2]	1.46 [37.1]
20	21	20	14	1.188-18 UNEF	1.500 [38.1]	1.750 [44.5]	.84 [21.3]	1.06 [26.9]	1.53 [38.9]
22	23	22	16	1.312-18 UNEF	1.650 [41.9]	1.844 [46.8]	.87 [22.1]	1.08 [27.4]	1.59 [40.4]
24	25	24	18	1.438-18 UNEF	1.750 [44.45]	2.031 [51.6]	.89 [22.6]	1.11 [28.2]	1.65 [41.9]

TABLE II

ENTRY SIZE	Z +.010 -.020	S DIA	Y ±.015 [±0.38]	W MAX	F MAX	G MAX	H MAX	J MAX	K MAX
04	.250 [6.35]	.376 [9.56] [9.39]	.550 [13.97]	1.07 [27.2]	N/A	N/A	N/A	N/A	N/A
05	.312 [7.92]	.438 [11.13] [10.97]	.612 [15.54]	1.13 [28.7]	.77 [19.6]	.93 [23.6]	1.19 [30.2]	1.16 [29.5]	.80 [20.3]
06	.375 [9.52]	.501 [12.73] [12.57]	.675 [17.14]	1.19 [30.2]	.77 [19.6]	.93 [23.6]	1.19 [30.2]	1.16 [29.5]	.80 [20.3]
07	.437 [11.09]	.563 [14.31] [14.12]	.737 [18.71]	1.25 [31.8]	.80 [20.3]	.95 [24.1]	1.38 [35.1]	1.22 [31.0]	.92 [23.4]
08	.500 [12.70]	.626 [15.91] [15.72]	.800 [20.32]	1.32 [33.5]	.80 [20.3]	.95 [24.1]	1.38 [35.1]	1.22 [31.0]	.92 [23.4]
10	.625 [15.87]	.752 [19.11] [18.84]	.925 [23.49]	1.44 [36.6]	.84 [21.3]	1.00 [25.4]	1.51 [38.4]	1.35 [34.3]	1.18 [30.0]
12	.750 [19.05]	.877 [22.28] [22.02]	1.050 [26.67]	1.57 [39.9]	.86 [21.8]	1.01 [25.7]	1.63 [41.4]	1.40 [35.6]	1.35 [34.3]
14	.875 [22.23]	1.002 [25.46] [25.17]	1.175 [29.84]	1.69 [42.9]	.88 [22.4]	1.04 [26.4]	1.78 [45.2]	1.46 [37.1]	1.41 [35.8]
16	1.000 [25.40]	1.127 [28.63] [28.34]	1.300 [33.02]	1.82 [46.2]	.91 [23.1]	1.06 [26.9]	1.88 [47.8]	1.53 [38.9]	1.60 [40.6]
18	1.125 [28.57]	1.252 [31.81] [31.52]	1.425 [36.19]	1.94 [49.3]	.93 [23.6]	1.09 [27.7]	2.01 [51.1]	1.59 [40.4]	1.66 [42.2]
20	1.250 [31.75]	1.377 [34.98] [34.69]	1.550 [39.37]	N/A	.98 [24.9]	1.13 [28.7]	2.13 [54.1]	1.78 [45.2]	2.04 [51.8]
22	1.375 [34.93]	1.502 [38.15] [37.79]	1.675 [42.55]	N/A	1.03 [26.2]	1.38 [35.1]	2.29 [58.2]	1.85 [47.0]	2.23 [56.6]
24	1.500 [38.10]	1.627 [41.33] [40.97]	1.800 [45.72]	N/A	1.08 [27.4]	1.44 [36.6]	2.42 [61.5]	1.92 [48.8]	2.23 [56.6]

SPECIFICATION CONTROL DRAWING

SIZE	CODE IDENT. NO.	DWG. NO.	REV
A	06090	TXR41	G1
DO NOT SCALE THIS DRAWING			CAD NAME: R060312C.dwg
SHEET 3			OF 3

IF THIS DOCUMENT IS PRINTED IT BECOMES UNCONTROLLED.CHECK FOR THE LATEST REVISION.

©2006,2011 Tyco Electronics Corporation,a TE connectivity Ltd.company. All rights reserved.