

Service  
Service  
Service



# Service Manual

Horizontal Frequency  
30 kHz to 81 kHz

## TABLE OF CONTENTS

Description	Page	Description	Page
Table Of Contents.....	1	5.2. Software Flow Chart.....	24
Revision List.....	2	5.3. Electrical Block Diagram.....	27
ECN History.....	3	6. Schematic Diagram.....	28
Important Safety Notice.....	4	6.1 Main Board.....	28
1. Monitor Specifications.....	5	6.2 Power Board.....	33
2. LCD Monitor Description.....	6	7. PCB Layout.....	35
3. Operation Instructions.....	7	7.1. Main Board.....	35
3.1 General Instructions.....	7	7.2. Power Board.....	37
3.2. Control Buttons.....	7	7.3. Key Board.....	39
3.3 On Screen Menu/Display (OSD).....	8	8. Maintainability.....	40
3.4 Adjusting the Picture.....	10	8.1. Equipments and Tools Requirement.....	40
4. Input/Output Specification.....	10	8.2. Trouble Shooting.....	41
4.1. Input Signal Connector.....	10	9. White-Balance, Luminance adjustment.....	49
4.2. Factory Preset Display Modes.....	11	10. ISP Instruction.....	51
4.3. Power Supply Requirements.....	12	11. Check List.....	55
4.4. Panel Specification.....	12	12. BOM List.....	58
4.5. Definition of Pixel.....	12	13. Different Parts List.....	93
5. Block Diagram.....	14		
5.1. Monitor Exploded View.....	14		

### SAFETY NOTICE

ANY PERSON ATTEMPTING TO SERVICE THIS CHASSIS MUST FAMILIARIZE HIMSELF WITH THE CHASSIS AND BE AWARE OF THE NECESSARY SAFETY PRECAUTIONS TO BE USED WHEN SERVICING ELECTRONIC EQUIPMENT CONTAINING HIGH VOLTAGES.

CAUTION: USE A SEPARATE ISOLATION TRANSFORMER FOR THIS UNIT WHEN SERVICING

## Revision List

Revision	Release Date	Revise history	TPV model
A00	May-26-2006	Initial Release	T76CM5HKA2DFNP
A01	Jun-28-2006	Add new Model in Item 13	T76CM5HKA2DZNP
			T76CM9HKA2DFNCP
			T76GM5HKA2DFNP
			T76GM5HKA2DZNP
			T76GM9HKA2DFNCP
A02	Aug-21-2006	Add new Model in Item 13	T76CM9HKA2DZNCP
			T76CM9HMA2DZNCP
			T76GM9HMA2DFNCP
A03	Aug-28-2006	Add new Model in Item 13	T76GM9HBA2DFNCP
A04	Sep-11-2006	Add new Model in Item 13	T76AM9HKA2DFNP
			T76AM9HKA2DZNP
A05	Sep-15-2006	Add new Model in Item 13	T76SM9HKA2DFNP
			T76SM9HKA2DZNP
			T76CM9HJA2DRNCP
A06	Sep-21-2006	Add new Model in Item 13	T76GM9HJA2DLNCP
			T76GM9HKA2DZNCP
A07	Oct-14-2006	Add new Model in Item 13	T76CM9HMA2DFNCP
			T76CM9HMA2DLNCP
			T76GM9HBA2DZNCP
			T76GM9HMA2DRNCP
A08	Nov-14-2006	Add new Model in Item 12	T76CM9HJA2DLNCP
			T76CM9HBA2DFNCP
A09	Nov-14-2006	Add new Model in Item 13	T76GM9HJA2DRNCP
			T76GM9HMA2DZNCP
			T76SM9HBA2DFNCP
			T76SM9HJA2DRNCP
			T76SM9HMA2DFNCP
			T76SM9HMA2DLNCP
			T76SM9HMA2DRNCP
			T76SM9HMA2DZNCP
A10	Dec.-08-2006	Add new Model in Item 13	T76SM9HBA2DZNCP
A11	May-14-2007	Add new Model in Item 12	T76AM9HMFDDDN
A12	May-20-2007	Add new Model in Item 13	T76AM9HMFDDGN
			T76KM9HKA2DFN
			T76KM9HKA2DFNC
			T76SM9HMFDDDN
A13	Jun-17-2007	Add new Model in Item 13	T76SM9HMFDDGN
			T76KM9HJA2DLNC
A14	Dec.-05-2007	Add "ECN History"	
A15	Dec.-20--2007	Add the CBPC,PWPC Version	All

**ECN History**

<b>ECN No.</b>	<b>Change Description</b>	<b>Service Deposition</b>	<b>Cut-in date</b>	<b>MSR</b>
ECN-D-EE098 ECR02756	Firmware revision change from V1C02 to V1C03	Update the Vista FW on VFF return MFD before 2007-1-1	2006/12/29	A02

## Important Safety Notice

Proper service and repair is important to the safe, reliable operation of all AOC Company Equipment. The service procedures recommended by AOC and described in this service manual are effective methods of performing service operations. Some of these service operations require the use of tools specially designed for the purpose. The special tools should be used when and as recommended.

It is important to note that this manual contains various CAUTIONS and NOTICES which should be carefully read in order to minimize the risk of personal injury to service personnel. The possibility exists that improper service methods may damage the equipment. It is also important to understand that these CAUTIONS and NOTICES ARE NOT EXHAUSTIVE. AOC could not possibly know, evaluate and advise the service trade of all conceivable ways in which service might be done or of the possible hazardous consequences of each way. Consequently, AOC has not undertaken any such broad evaluation. Accordingly, a servicer who uses a service procedure or tool which is not recommended by AOC must first satisfy himself thoroughly that neither his safety nor the safe operation of the equipment will be jeopardized by the service method selected.

Hereafter throughout this manual, AOC Company will be referred to as AOC.

### WARNING

Use of substitute replacement parts, which do not have the same, specified safety characteristics may create shock, fire, or other hazards.

Under no circumstances should the original design be modified or altered without written permission from Philips. AOC assumes no liability, express or implied, arising out of any unauthorized modification of design.

Servicer assumes all liability.

### FOR PRODUCTS CONTAINING LASER:

DANGER-Invisible laser radiation when open. AVOID DIRECT EXPOSURE TO BEAM.

CAUTION-Use of controls or adjustments or performance of procedures other than those specified herein may result in hazardous radiation exposure.

CAUTION -The use of optical instruments with this product will increase eye hazard.

TO ENSURE THE CONTINUED RELIABILITY OF THIS PRODUCT, USE ONLY ORIGINAL MANUFACTURER'S REPLACEMENT PARTS, WHICH ARE LISTED WITH THEIR PART NUMBERS IN THE PARTS LIST SECTION OF THIS SERVICE MANUAL.

Take care during handling the LCD module with backlight unit

- Must mount the module using mounting holes arranged in four corners.
- Do not press on the panel, edge of the frame strongly or electric shock as this will result in damage to the screen.
- Do not scratch or press on the panel with any sharp objects, such as pencil or pen as this may result in damage to the panel.
- Protect the module from the ESD as it may damage the electronic circuit (C-MOS).
- Make certain that treatment person's body is grounded through wristband.
- Do not leave the module in high temperature and in areas of high humidity for a long time.
- Avoid contact with water as it may a short circuit within the module.
- If the surface of panel becomes dirty, please wipe it off with a soft material. (Cleaning with a dirty or rough cloth may damage the panel.)

**1. Monitor Specifications**

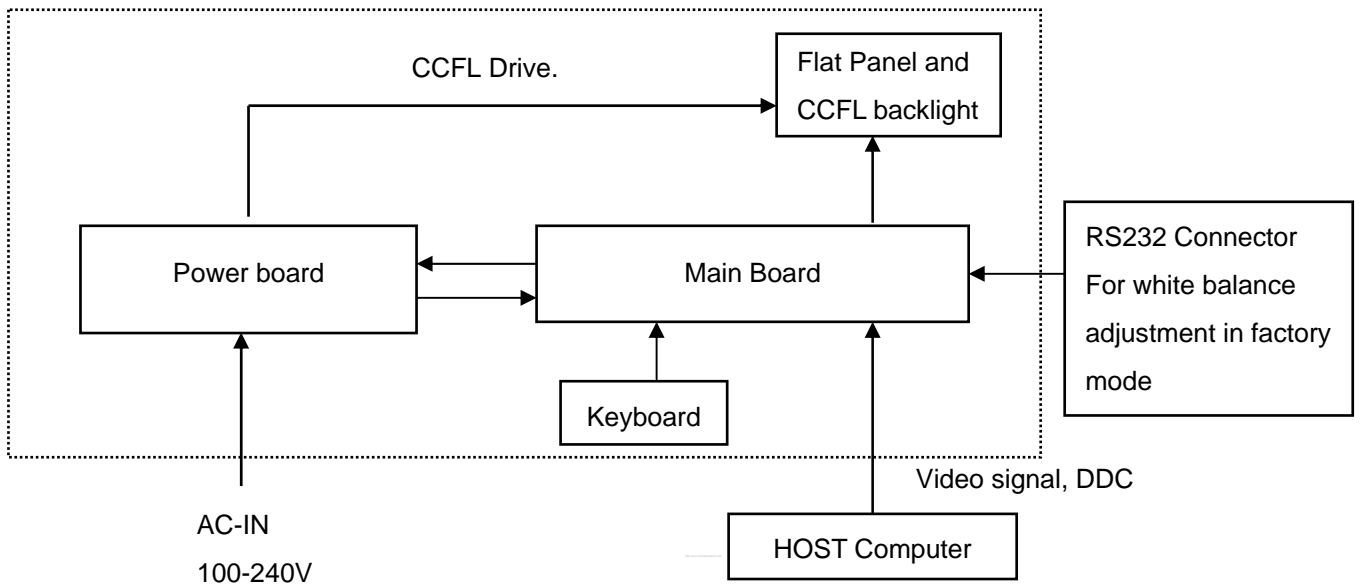
LCD Panel	Screen type	Active matrix - TFT LCD
	Size	430mm(17.0")
	Pixel pitch	0.264mm(H) x 0.264mm(V)
	Response time	8ms(type)
Input	Video	R, G, B Analog Interface
	Separate Sync	H/V TTL
	H-Frequency	30kHz – 81kHz
	V-Frequency	56 - 76Hz
Display Colors		16.2M Colors
Dot Clock		135MHz(Max)
Max. Resolution		1280 x 1024
Plug & Play		VESA DDC
EPA ENERGY STAR®	ON Mode	Maximum 40W; Typical 34W
	Power Saving	<=2W
	OFF Mode	<=1W
Input Connector		D-Sub 15pin
Input Video Signal		Analog:0. 7Vp-p(standard) 75 OHM, Positive
Active Display Area		Horizontal : 337.92mm Vertical: 270.336mm
Power Source		100 V ~ 240 V± 10 %VAC, 50 ± 3Hz, 60 ± 3Hz
Environmental Considerations		Operating Temp: 5° to 35°C Operating Humidity: 10% to 80% Storage Temp.: -20° to 60°C
Weight	Monitor (Stand and Head): 5.2kg	
	Monitor Flat panel only (VESA Mode): 4.0 kg	
	Weight with packaging: 6.4 kg	

## 2. LCD Monitor Description

The LCD monitor will contain a main board, PWPC board, keypad board, which house the flat panel control logic, brightness control logic and DDC.

The power board will provide AC to DC Inverter voltage to drive the backlight of panel and the main board chips each voltage.

**Monitor Block Diagram**



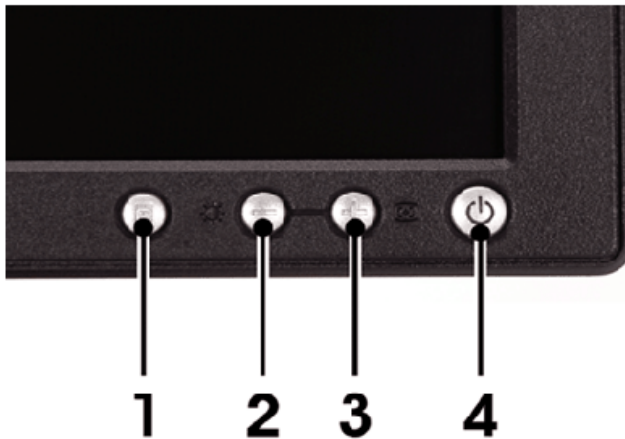
### 3. Operation instructions

#### 3.1 General Instructions







Press the power button to turn the monitor on or off. The other control buttons are located at front panel of the monitor. By changing these settings, the picture can be adjusted to your personal preferences.

- The power cord should be connected.
- Connect the video cable from the monitor to the video card.
- Press the power button to turn on the monitor, the power indicator will light up.

#### 3.2 Control Buttons





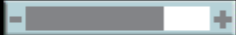

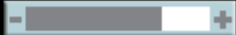



- 1 Menu selection button
- 2 Brightness Contrast / Down (-) button
- 3 Auto-Adjust / Up (+) button
- 4 Power button On/Off button with indicator

A	 <p style="text-align: center;"><b>MENU</b></p>	<p>The 'MENU' button is used to open the on-screen display (OSD), select function icons, exit from menus and sub-menus, and to exit the OSD. See <a href="#">Accessing the Menu System</a>.</p>
B	 <p style="text-align: center;"><b>Brightness/Contrast Hot Key</b></p>	<p>Use this button for direct access to the 'Brightness' and 'Contrast' control menu.</p>
B C	 <p style="text-align: center;"><b>- and + buttons</b></p>	<p>Use these buttons to adjust (decrease/increase ranges) items in the OSD.</p>
C	 <p style="text-align: center;"><b>Auto Adjust</b></p>	<p>Use this button to activate automatic setup and adjustment. The following dialog will appear on screen as the monitor self-adjusts to the current input:</p> <div style="text-align: center; background-color: black; color: white; padding: 5px; margin: 10px 0;">Auto Adjust In Progress</div> <p>Auto Adjustment  button allows the monitor to self-adjust to the incoming video signal. After using 'Auto Adjustment', you can further tune your monitor by using the 'Pixel Clock' and 'Phase' controls in the OSD.</p>
D	 <p style="text-align: center;"><b>Power Button &amp; Indicator</b></p>	<p>The green LED indicates the monitor is on and fully functional. An amber LED indicates DPMS power save mode.</p> <p>The Power button turns the monitor on and off.</p>

### 3.3 On Screen Menu/Display (OSD)

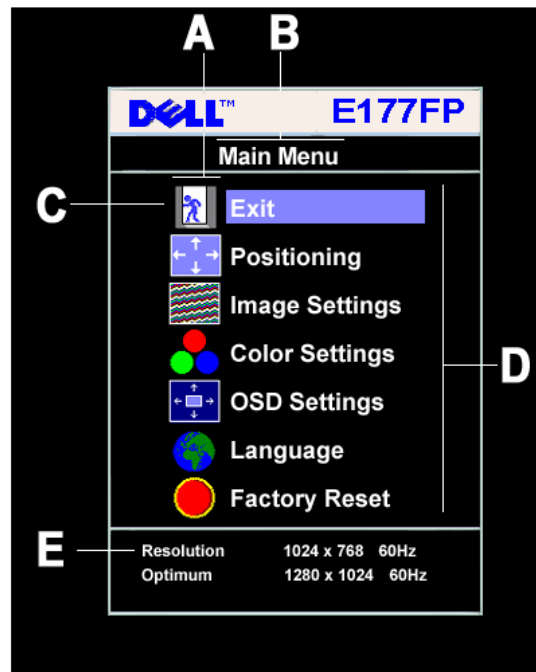
#### Direct-Access Functions

Function	Adjustment Method
<p><b>Auto adjustment</b></p>	<p>Use this button to activate automatic setup and adjustment. The following dialog will appear on screen as the monitor self-adjusts to the current input:</p> <div data-bbox="954 495 1382 557" style="background-color: black; color: white; text-align: center; padding: 5px;"> <p>Auto Adjust In Progress</p> </div> <p>Auto Adjustment  button allows the monitor to self-adjust to the incoming video signal. After using 'Auto Adjustment', you can further tune your monitor by using the 'Pixel Clock' and 'Phase' controls in the OSD.</p> <p> <b>NOTE:</b> Auto Adjust will not occur if you press the button while there are no active video input signals, or attached cables</p>
<p><b>Brightness / Contrast</b></p> <div data-bbox="113 1037 826 1447" style="border: 1px solid black; background-color: black; color: white; padding: 10px;"> <p style="text-align: center; font-weight: bold;">Brightness/Contrast</p> <div style="display: flex; justify-content: space-between; align-items: center;"> <div style="background-color: white; color: black; padding: 5px;">Exit</div>  </div> <div style="display: flex; justify-content: space-between; align-items: center; margin-top: 10px;"> <div style="text-align: left;"> <p><b>Brightness</b></p>  </div> <div style="text-align: center;">  <p>75</p> </div> </div> <div style="display: flex; justify-content: space-between; align-items: center; margin-top: 10px;"> <div style="text-align: left;"> <p><b>Contrast</b></p>  </div> <div style="text-align: center;">  <p>75</p> </div> </div> </div>	<p>With the menu off, push  button to display the 'Brightness' and 'Contrast' adjustment menu.</p> <p>The 'Brightness' function adjusts the luminance of the flat panel.</p> <p>Adjust 'Brightness' first, then adjust 'Contrast' only if further adjustment is necessary.</p> <p>"+" increase 'brightness'          " - "decrease 'brightness'</p> <p>The 'Contrast' function adjusts the degree of difference between darkness and lightness on the display screen.</p> <p>"+" increase the 'contrast'          "- " decrease the 'contrast'</p>








### 3.4 Adjusting the Picture








1. With the menu off, push the 'MENU' button to open the OSD system and display the main features menu.



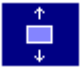










- |          |                |          |            |          |           |
|----------|----------------|----------|------------|----------|-----------|
| <b>A</b> | Function icons | <b>B</b> | Main Menu  | <b>C</b> | Menu icon |
| <b>D</b> | Sub-Menu name  | <b>E</b> | Resolution |          |           |

2. Push the - and + buttons to move between the function icons. As you move from one icon to another, the function name is highlighted to reflect the function or group of functions (sub-menus) represented by that icon. See the table below for a complete list of all the functions available for the monitor.
3. Push the 'MENU' button once to activate the highlighted function; Push -/+ to select the desired parameter, push menu to enter the slide bar. Then use the - and + buttons, according to the indicators on the menu, to make your changes.
4. Push the 'Menu' button once to return to the main menu to select another function or push the 'Menu' button two or three times to exit from the OSD.

Icon	Menu Name and Sub-menus	Description
	EXIT	This is used to exit out of the 'Main menu'.
	Positioning: Horizontal Vertical	<p>'Positioning' moves the viewing area around on the monitor screen.</p> <p>When making changes to either the 'Horizontal' or 'Vertical' settings, no changes will occur to the size of the viewing area; the image will simply be shifted in response to your selection/change.</p> <p>Minimum is '0' (-). Maximum is '100' (+).</p> <div data-bbox="464 629 1115 994" data-label="Image"> </div>
	Image settings:  Auto Adjust          Pixel Clock	<p>Even though your computer system can recognize your new flat panel monitor on startup, the 'Auto Adjustment' function will optimize the display settings for use with your particular setup.</p> <p> <i>NOTE: In most cases, 'Auto Adjust' will produce the best image for your configuration; this function can be directly access via Auto Adjustment</i></p> <p> <i>hotkey.</i></p> <p>The 'Phase' and 'Pixel Clock' adjustments allow you to more closely adjust your monitor to your preference. These settings are accessed through the main OSD menu, by selecting 'Image Settings'.</p> <p>Use the - and + buttons to adjust away interference. Minimum: 0 ~ Maximum: 100</p>

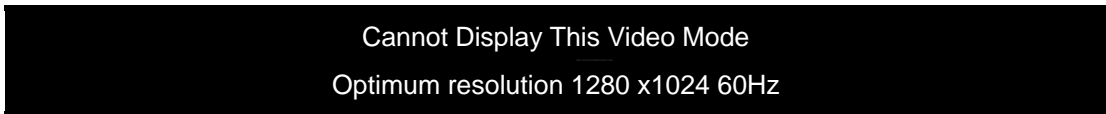
	<p>Phase</p>	<p>If satisfactory results are not obtained using the 'Phase' adjustment, use the 'Pixel Clock' adjustment and then use 'Phase' again.</p> <div data-bbox="464 221 1128 736" style="border: 1px solid black; padding: 5px; background-color: #222; color: #eee; text-align: center;"> <p><b>Image Settings</b></p> <p>Auto Adjust will produce best image</p> <p>Exit </p> <p>Auto Adjust                      Press Menu</p> <p>Pixel Clock  <input type="text" value="50"/></p> <p>Phase  <input type="text" value="50"/></p> </div> <p> <i>NOTE: This function may change the width of the display image. Use the 'Horizontal' function of the 'Position' menu to center the display image on the screen.</i></p>
	<p>Color Settings:</p> <p>Normal Preset</p> <p>Blue Preset</p> <p>Red Preset</p>	<p>'Color Settings' adjusts the color temperature and saturation.</p> <div data-bbox="464 976 1121 1491" style="border: 1px solid black; padding: 5px; background-color: #222; color: #eee; text-align: center;"> <p><b>Color Settings</b></p> <p>Normal Preset</p> <p>Blue Preset</p> <p>Red Preset</p> <p>User Preset   Exit </p> <p>Red <input type="text" value="100"/></p> <p>Green <input type="text" value="100"/></p> <p>Blue <input type="text" value="100"/></p> </div> <p>'Normal Preset' is selected to obtain the default (factory) color settings.</p> <p>'Blue Preset' is selected to obtain a bluish tint. This color setting is typically used for text based applications (Spreadsheets, Programming, Text Editors etc.).</p> <p>'Red Preset' is selected to obtain a redder tint. This color setting is typically used for color intensive applications (Photograph Image Editing, Multimedia, Movies etc.).</p>

	<p>User Preset</p>	<p>'User Preset': Use the plus and minus buttons to increase or decrease each of the three colors (R, G, B) independently, in single digit increments, from '0' to '100'.</p> <p> <i>NOTE: 'Color temperature' is a measure of the 'warmth' of the image colors (red/green/blue). The two available presets ('Blue' and 'Red') favor blue and red accordingly. Select each one to see how each range suits your eye; or utilize the 'User Preset' option to customize the color settings to your exact choice.</i></p>
<p></p> <p></p> <p></p> <p></p>	<p>OSD Settings:</p> <p>Horizontal Position</p> <p>Vertical Position</p> <p>OSD Hold Time:</p> <p>OSD Lock</p>	<p>Each time the OSD opens, it displays in the same location on the screen. 'OSD Settings' (horizontal/vertical) provides control over this location.</p> <p>- and + buttons move OSD to the left and right.</p> <p>- and + buttons move OSD down and up.</p> <p>The OSD stays active for as long as it is in use.</p> <p>'OSD Hold Time': Sets the length of time the OSD will remain active after the last time you pressed a button.</p> <p>Use the - and + buttons to adjust the slider in 5 second increments, from 5 to 60 seconds.</p> <p> <i>NOTE: Default 'OSD hold time' is 20 seconds.</i></p> <p>'OSD Lock': Controls user access to adjustments. When 'Yes' (+) is selected, no user adjustments are allowed. All buttons are locked except the menu button.</p> <p>All buttons can be locked or unlocked press the 'Menu' button for over 15 seconds. to unlock the OSD 'Menu'.</p>
		<div data-bbox="470 1288 1133 1780" data-label="Image"> </div> <p> <i>NOTE: When the OSD is locked, pressing the 'Menu' button will take the user directly to the 'OSD settings' menu, with 'OSD Lock' preselected on entry. Select 'No'(-) to unlock and allow user access to all applicable settings.</i></p>


	<p>Language:</p>	<p>Language sets the OSD to display in one of five languages (English, Español, Français, Deutsch, Japanese).</p> <div data-bbox="778 248 1166 631" style="text-align: center;">  </div> <p> <b>NOTE:</b> The language chosen affects only the language of the OSD. It has no effect on any software running on the computer.</p>
	<p>Factory Reset:</p>	<p>'Factory Reset' returns the settings to the factory preset values for the selected group of functions. 'Exit' is used to exit out of 'Factory Reset' menu.</p> <p>For 'All settings', all user adjustable settings are reset at one time except 'Language settings'.</p>

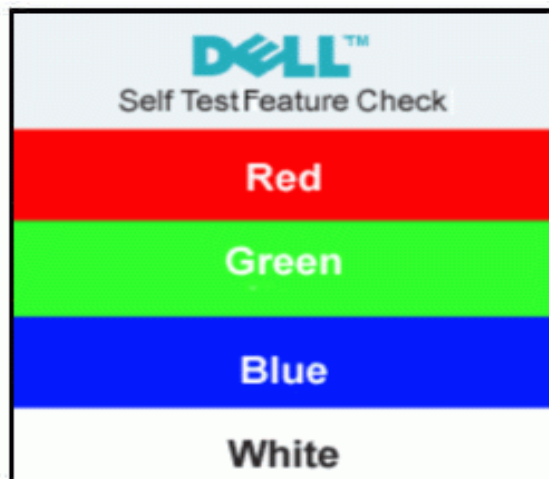
OSD Warning Messages

A warning message may appear on the screen indicating that the monitor is out of sync.



This means that the monitor cannot synchronize with the signal that it is receiving from the computer. Either the signal is too high or too low for the monitor to use. See Specifications for the Horizontal and Vertical frequency ranges addressable by this monitor. Recommended mode is 1280 X 1024 @ 60Hz.

 **NOTE:** The floating 'Dell - self-test Feature Check' dialog will appear on-screen if the monitor cannot sense a video signal.



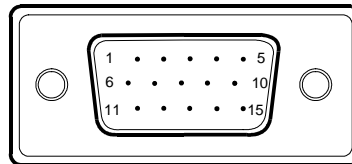
Occasionally, no warning message appears, but the screen is blank. This could also indicate that the monitor is not synchronizing with the computer. See Troubleshooting for more information.

## 4. Input/Output Specification

### 4.1 Input Signal Connector

Pin No.	Description	Pin No.	Description
1.	Red Video	9.	Computer 5V/3.3V
2.	Green Video	10.	GND-sync
3.	Blue Video	11.	GND
4.	GND	12.	DDC-Serial Data
5.	Self-test	13.	H-Sync
6.	R-Ground	14.	V-Sync
7.	G-Ground	15.	DDC-Serial Clock
8.	B-Ground		

VGA Connector layout



### 4.2 Factory Preset Display Modes

VESA MODES							
Mode	Resolution	Total	Horizontal		Vertical		Nominal Pixel Clock (MHz)
			Nominal Frequency +/- 0.5kHz	Sync Polarity	Nominal Freq. +/- 1Hz	Sync Polarity	
VGA	640x480@60Hz	800 x 525	31.469	N	59.940	N	25.175
	640x480@75Hz	840 x 500	37.500	N	75.00	N	31.500
	800x600@60Hz	1056 x 628	37.879	P	60.317	P	40.000
	800x600@75Hz	1056x625	46.875	P	75.000	P	49.500
XGA	1024x768@60Hz	1344x806	48.363	N	60.004	N	65.000
	1024x768@75Hz	1312x800	60.023	P	75.029	P	78.750
SXGA	1152x864@75Hz	1600x900	67.500	P	75.000	P	108.00
	1280x1024@60Hz	1688x1066	64.000	P	60.000	P	108.00
	1280x1024@75Hz	1688x1066	79.976	P	75.025	P	135.00
IBM MODES							
Mode	Resolution	Total	Nominal Frequency +/- 0.5kHz	Sync Polarity	Nominal Freq. +/- 1 Hz	Sync Polarity	Nominal Pixel Clock (MHz)
DOS	720x400@70Hz	900 x 449	31.469	N	70.087	P	28.322

**4.3 Power Supply Requirements**

A/C Line voltage range	100 V ~ 240 V $\pm$ 10 %
A/C Line frequency range	50 $\pm$ 3Hz, 60 $\pm$ 3Hz
Input Voltage transients	280 volts AC for 10 sec @40
Current	0.6A max. at 100V, 0.35A max. at 240 V
Peak surge current	< 60A peak at 240 VAC and cold starting < 30A peak at 120VAC and cold starting
Leakage current	< 3.5mA
Power line surge	No advance effects (no loss of information or defect) with a maximum of 1 half-wave missing per second

**4.4 Panel Specification****4.4.1 Display Characteristics****For LM170E01-TLB3 panel**

Active screen size	17.0 inch (43.27cm) diagonal
Outline Dimension	358.5(H) x 296.5(V) x 17.0(D) mm(Typ.)
Pixel Pitch	0.264 mm x 0.264 mm
Pixel Format	1280 horiz. by 1024 vert. Pixels. RGB stripe arrangement
Display Colors	16.2M colors
Luminance, white	300 cd/m <sup>2</sup> (Typ. Center 1 point)
Power Consumption	19.4 Watts(Typ.)
Weight	2150g (Typ.)
Display operating mode	Transmissive mode, normally white
Surface treatments	Hard coating (3H), Anti-glare treatment of the front polarizer

**For LM170E01-TLB4 panel**

Active screen size	17.0 inch (43.27cm) diagonal
Outline Dimension	358.5(H) x 296.5(V) x 17.0(D) mm(Typ.)
Pixel Pitch	0.264 mm x 0.264 mm
Pixel Format	1280 horiz. by 1024 vert. Pixels. RGB stripe arrangement
Display Colors	16.2M colors
Luminance, white	300 cd/m <sup>2</sup> (Typ. Center 1 point)
Power Consumption	19.6 Watts(Typ.)
Weight	2150g (Typ.)
Display operating mode	Transmissive mode, normally white
Surface treatments	Hard coating (3H), Anti-glare treatment of the front polarizer

**For CLAA170EA07Q Rev.373/3A3 panel**

ITEM	SPECIFICATION
Display Area(mm)	337.920(H)x270.336(V) (17.0-inch diagonal)
Number of Pixels	1280(H)x1024(V)
Pixel Pitch(mm)	0.264(H)x0.264(V)
Color Pixel Arrangement	RGB vertical stripe
Display Mode	normally white, TN
Number of Colors	16.2M(6 Bit+FRC)
Brightness(cd/m <sup>2</sup> )	300 cd/m <sup>2</sup> (Typ.)(Center point, Lamp current=7.0 mA)
Viewing Angle	140/130(Typ.)
Surface Treatment	Anti-glare
Electrical Interface	LVDS , 2Ch
Total Module Power(W)	20.0 (Typ.)
Optimum Viewing Angle	6 o'clock
Module Size(mm)	358.5(W)x296.5(H)x17.5(D)
Module Weight(g)	2000(typ)
Backlight Unit	CCFL, 4 tables, edge-light(top*2/bottom*2)



## Optical Characteristics

For LM170E01- TLB3/TLB4 panel

(Ta=25 °C, V<sub>CC</sub>=5.0V, f<sub>V</sub>=60Hz Dclk=54MHz, I<sub>BL</sub>=6.5mA<sub>rms</sub>)

Parameter	Symbol	Values			Units
		Min.	Typ.	Max.	
Contrast ratio	CR	500	700	-	
Surface luminance, white	L <sub>WH</sub>	250	300	-	cd/m <sup>2</sup>
Luminance uniformity	ΔL <sub>g</sub>	75	-	-	%
Response time	T <sub>r</sub>		8	18	ms
Rise time	T <sub>rR</sub>	-	2	6	
Decay time	T <sub>rD</sub>	-	6	12	
CIE color coordinates					
Red	XR	0.605	0.635	0.665	
	YR	0.312	0.342	0.372	
Green	XG	0.262	0.292	0.322	
	YG	0.581	0.611	0.641	
Blue	XB	0.117	0.147	0.177	
	YB	0.040	0.070	0.100	
White	XW	0.283	0.313	0.343	
	YW	0.299	0.329	0.359	
Viewing angle (by CR ≥ 10)					
X axis, right(φ=0°)	θ <sub>r</sub>	60	70	-	degree
X axis, left (φ=180°)	θ <sub>l</sub>	60	70	-	
Y axis, up (φ=90°)	θ <sub>u</sub>	60	75	-	
Y axis, down (φ=270°)	θ <sub>d</sub>	50	65	-	
Viewing angle (by CR ≥ 5)					
X axis, right(φ=0°)	θ <sub>r</sub>	70	80	-	degree
X axis, left (φ=180°)	θ <sub>l</sub>	70	80	-	
Y axis, up (φ=90°)	θ <sub>u</sub>	70	85	-	
Y axis, down (φ=270°)	θ <sub>d</sub>	60	75	-	
Relative brightness					
Luminance uniformity (TCO99)		-	-	1.7	

For CLAA170EA07Q Rev.373/3A3 panel

Ta=25°C · VCC=5.0V

ITEM	SYMBOL	CONDITION	MIN.	TYP.	MAX.	UNIT	
Contrast Ratio	CR	$\theta = \phi = 0^\circ$	450	500	--	--	
Luminance	Center	$\theta = \phi = 0^\circ$	250	300	--	cd/m <sup>2</sup>	
	Uniformity	$\Delta L$	75%	--	--		
Response Time	Tr	$\theta = \phi = 0^\circ$	--	2	4	ms	
	Tf	$\theta = \phi = 0^\circ$	--	6	8	ms	
Viewing Angle	Horizontal	$\phi$	$CR \geq 5$	70/70	80/80	--	°
	Vertical	$\theta$		70/70	80/80	--	°
	Horizontal	$\phi$	$CR \geq 10$	60/60	70/70	--	°
	Vertical	$\theta$		50/55	60/65	--	°
Color Coordinates	White	Wx Wy	$\theta = \phi = 0^\circ$	0.283 0.299	0.313 0.329	0.343 0.359	--
	Red	Rx Ry		0.614 0.308	0.644 0.338	0.674 0.368	
	Green	Gx Gy		0.237 0.592	0.267 0.622	0.297 0.652	
	Blue	Bx By		0.110 0.054	0.140 0.084	0.170 0.114	
Image sticking	Tis	2 hour			2	sec	
Crosstalk	CT				1.5%		
Gamut	CS		70%	72%			
Gamma	$\gamma$		2.0	2.2	2.4		

**4.5 Definition Of Pixel Defects**

**For LM170E01- TLB3/TLB4 panel**

**Dot Defect**

**Bright Dot**

Dots (sub-pixels), which appeared brightly in the screen when the LCM displayed with dark pattern.

- R, G or B 1 dot ----- 0 Max
- Adjacent 2 dots ----- 0 Max
- Total amount of Bright dots ----- 0 Max
- Minimum distance of Bright dots ----- NA

**Dark Dot**

Dots (sub-pixels) which appeared darkly in the screen when the LCM displayed with bright pattern.

- 1 dot ----- 4 Max
- Adjacent 2 dots ----- 2 Max
- Total amount of Dark dot ----- 4 Max
- Minimum distance of Dark dots ----- 15mm

**Total amount of Dot Defects ----- 5 Max (Combination)**

Note) a. Every dot herein means Sub-Pixel (Each Red, Green, or Blue Color)

b. Bright dot

- Red or Blue dots smaller than half size of sub-pixel are not counted as a defect dots.
- Green dots smaller than 1 / 3 size of sub-pixel are not counted as a defect dots.

c. Dark dots smaller than half size of sub-pixel are not counted as a defect dots.

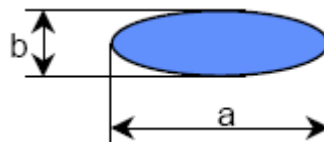
**Polarizer Defects**

Items		Criteria
Scratches	Linear	$0.01 \leq W \leq 0.1, 0.3 \leq L \leq 10, N \leq 4$
Dent	Circular	$0.15 \leq D \leq 0.5, N \leq 3$

Where, W: Width

L: Length

D: Average diameter  $= (a+b)/2$



- a. Extraneous substances, which can be wiped out, like Finger Print, Particles, are not considered as a defect.
- b. Defects which are on the Black Matrix (outside of Active Area) are not considered as a defect.

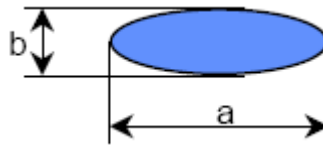
**Foreign Material**

Items	Criteria
Linear	$0.05 \leq W \leq 0.1$ , $0.3 \leq L \leq 4.0$ , $N \leq 4$
Circular	$0.15 \leq D \leq 0.5$ , $N \leq 4$

Where, W: Width

L: Length

D: Average diameter  $= (a+b)/2$

**Line Defect**

All kinds of line defects such as vertical, horizontal or cross are not allowed.

**Bezel Appearance**

Scratches, minor dents, stain, particles on the Bezel frame are not considered as a defect.

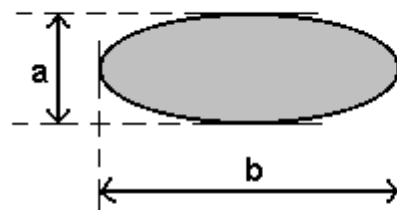
**others**

Issues, which are not defined in these criteria, shall be discussed with both parties, Customer and Supplier, for better solution.

DEFECT TYPE		LIMIT		
<b>VISUAL DEFECT</b>	SCRATCH		$0.01\text{mm} \leq W \leq 0.05\text{mm}$ $L \leq 10\text{mm}$	$N \leq 4$
	INTERNAL	SPOT	$0.15\text{mm} \leq \varphi \leq 0.5\text{mm}$	$N \leq 4$
		FIBER	$W \leq 1.0\text{mm}, L \leq 3.0\text{mm}$	$N \leq 4$
		POLARIZER BUBBLE	$0.15\text{mm} \leq \varphi \leq 0.5\text{mm}$	$N \leq 4$
		TOTAL	$N \leq 8$	
<b>ELECTRICAL DEFECT</b>	BRIGHT DOT		$N = 0$	
	DARK DOT		$N \leq 4$	
	TOTAL DOT		$N \leq 4$	
	TWO ADJACENT DOT		$\leq 2$ PAIRS	
	THREE OR MORE ADJACENT DOT		NOT ALLOWED	
	DISTANCE BETWEEN DEFECT DOT		Two dark dots $\geq 10\text{mm}$	
	LINE DEFECT		NOT ALLOWED	

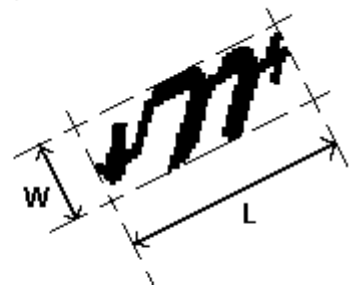
One pixel consists of 3 sub-pixels, including R,G, and B dot.(Sub-pixel = Dot)

W : Width[mm], L : Length[mm], N : Number,  $\varphi$  : Average Diameter



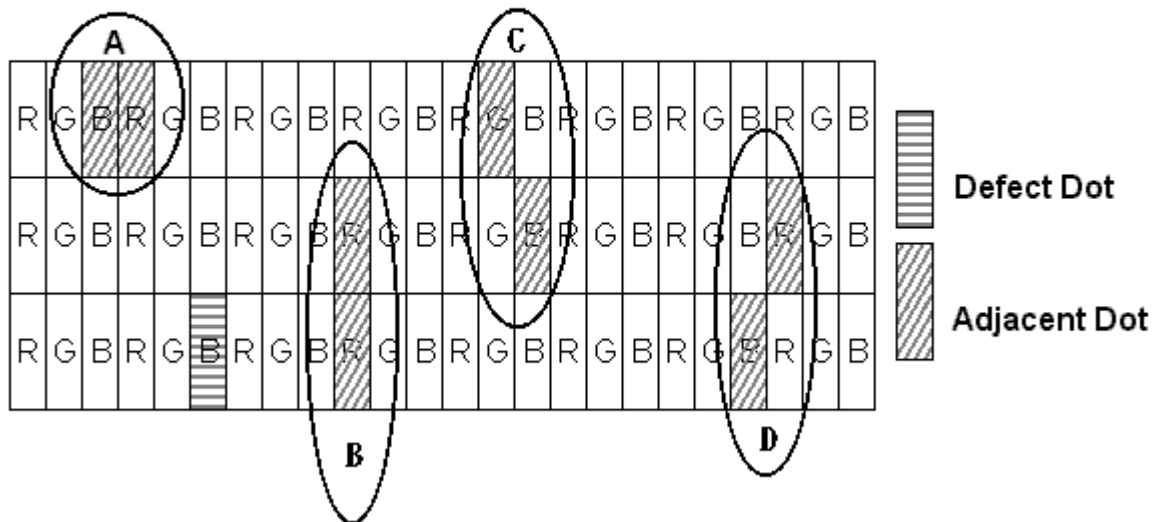
$$\varphi = (a + b) / 2$$

1. (White, black) Spot
2. Polarizer Bubble

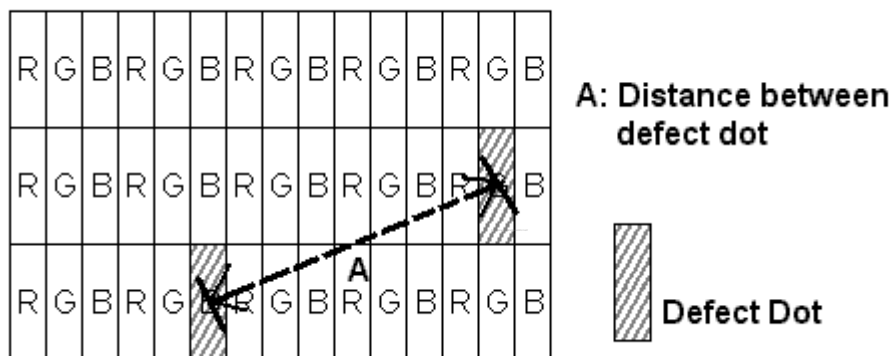


1. Fiber

Judge defect dot and adjacent dot as following. Allow below (as A, B, C and D status) adjacent dot, including bright and dart adjacent dot. And they will be counted 2 defect dot in total quantity.



Definition of distance between defect dot as following.



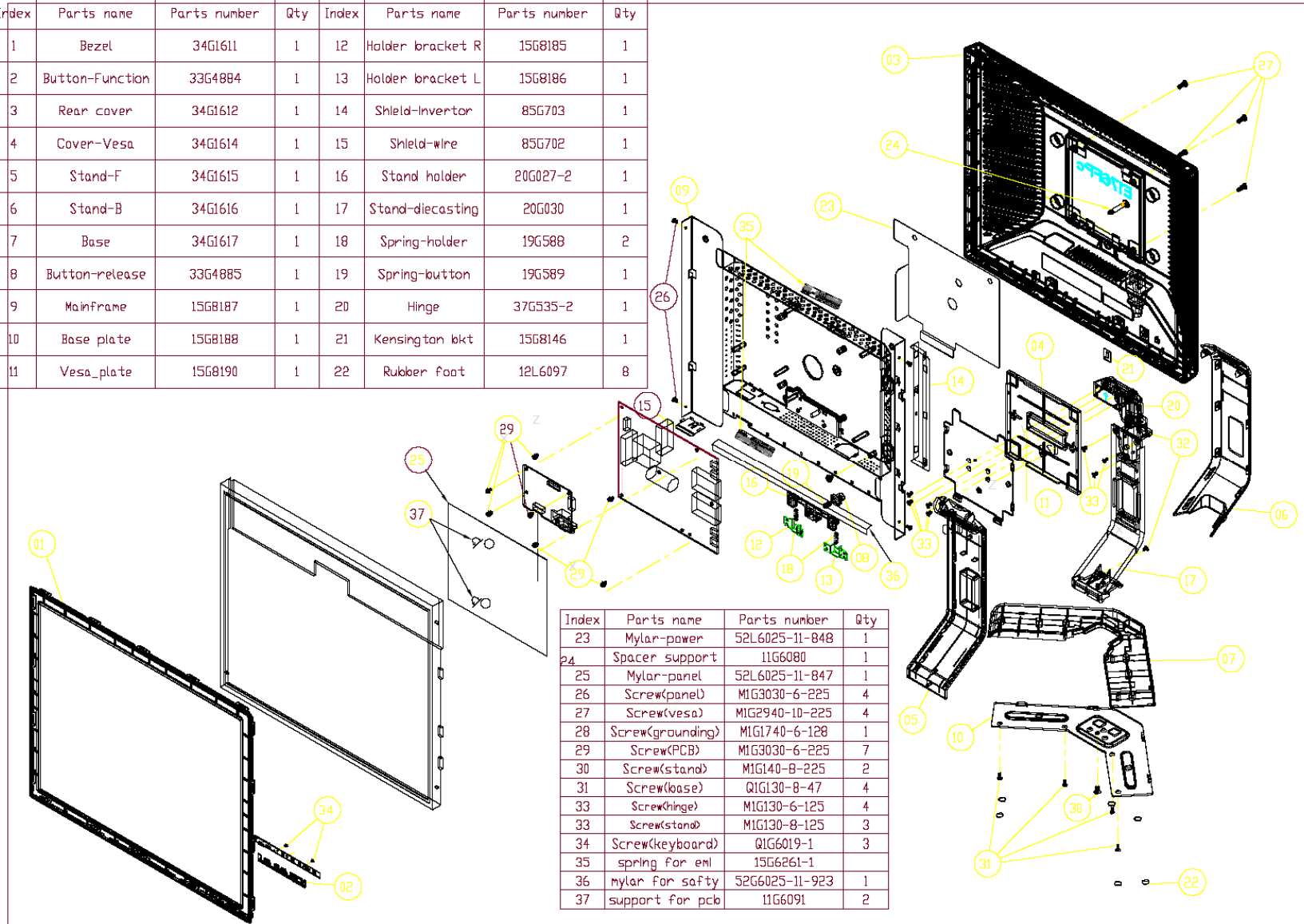
Other

- (1) The defects that are not defined above and considered to be problem shall be reviewed and discussed by both parties.
- (2) Defects on the Black Matrix, out of Display area, are not considered as a defect or counted.

## 5. Block Diagram

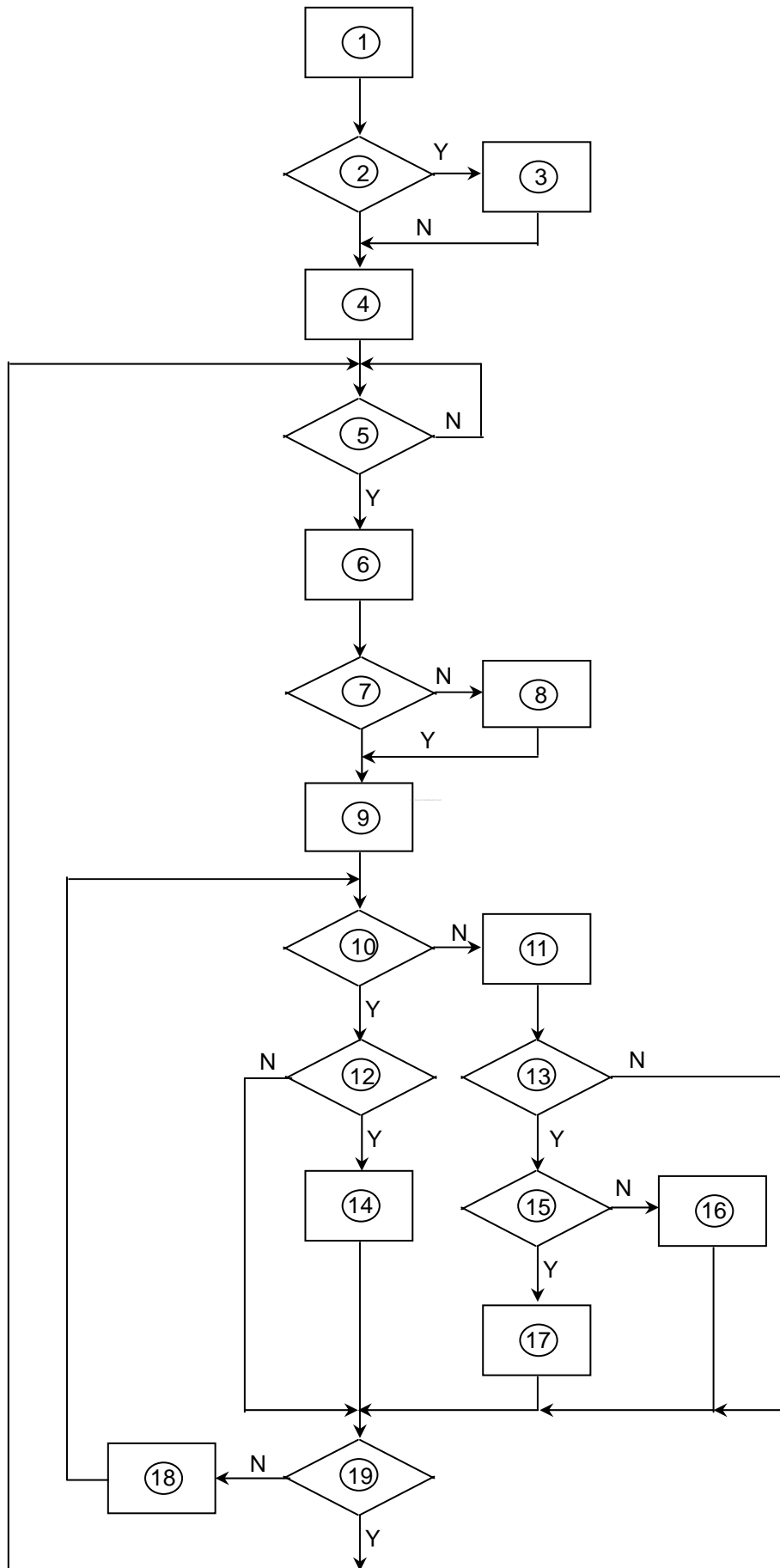
### 5.1 Monitor Exploded View

Index	Parts name	Parts number	Qty	Index	Parts name	Parts number	Qty
1	Bezel	34G1611	1	12	Holder bracket R	15G8185	1
2	Button-Function	33G4884	1	13	Holder bracket L	15G8186	1
3	Rear cover	34G1612	1	14	Shield-Inventor	85G703	1
4	Cover-Vesa	34G1614	1	15	Shield-wlre	85G702	1
5	Stand-F	34G1615	1	16	Stand holder	20G027-2	1
6	Stand-B	34G1616	1	17	Stand-diecasting	20G030	1
7	Base	34G1617	1	18	Spring-holder	19G588	2
8	Button-release	33G4885	1	19	Spring-button	19G589	1
9	Mainframe	15G8187	1	20	Hinge	37G535-2	1
10	Base plate	15G8188	1	21	Kensington bkt	15G8146	1
11	Vesa_plate	15G8190	1	22	Rubber foot	12L6097	8



Index	Parts name	Parts number	Qty
23	Mylar-power	52L6025-11-848	1
24	Spacer support	11G6080	1
25	Mylar-panel	52L6025-11-847	1
26	Screw(panel)	M1G3030-6-225	4
27	Screw(vesa)	M1G2940-10-225	4
28	Screw(grounding)	M1G1740-6-128	1
29	Screw(PCB)	M1G3030-6-225	7
30	Screw(stand)	M1G140-8-225	2
31	Screw(base)	Q1G130-8-47	4
33	Screw(hinge)	M1G130-6-125	4
33	Screw(stand)	M1G130-8-125	3
34	Screw(keyboard)	Q1G6019-1	3
35	spring for eml	15G6261-1	
36	mylar for safty	52G6025-11-923	1
37	support for pcb	11G6091	2

5.2 Software Flow Chart

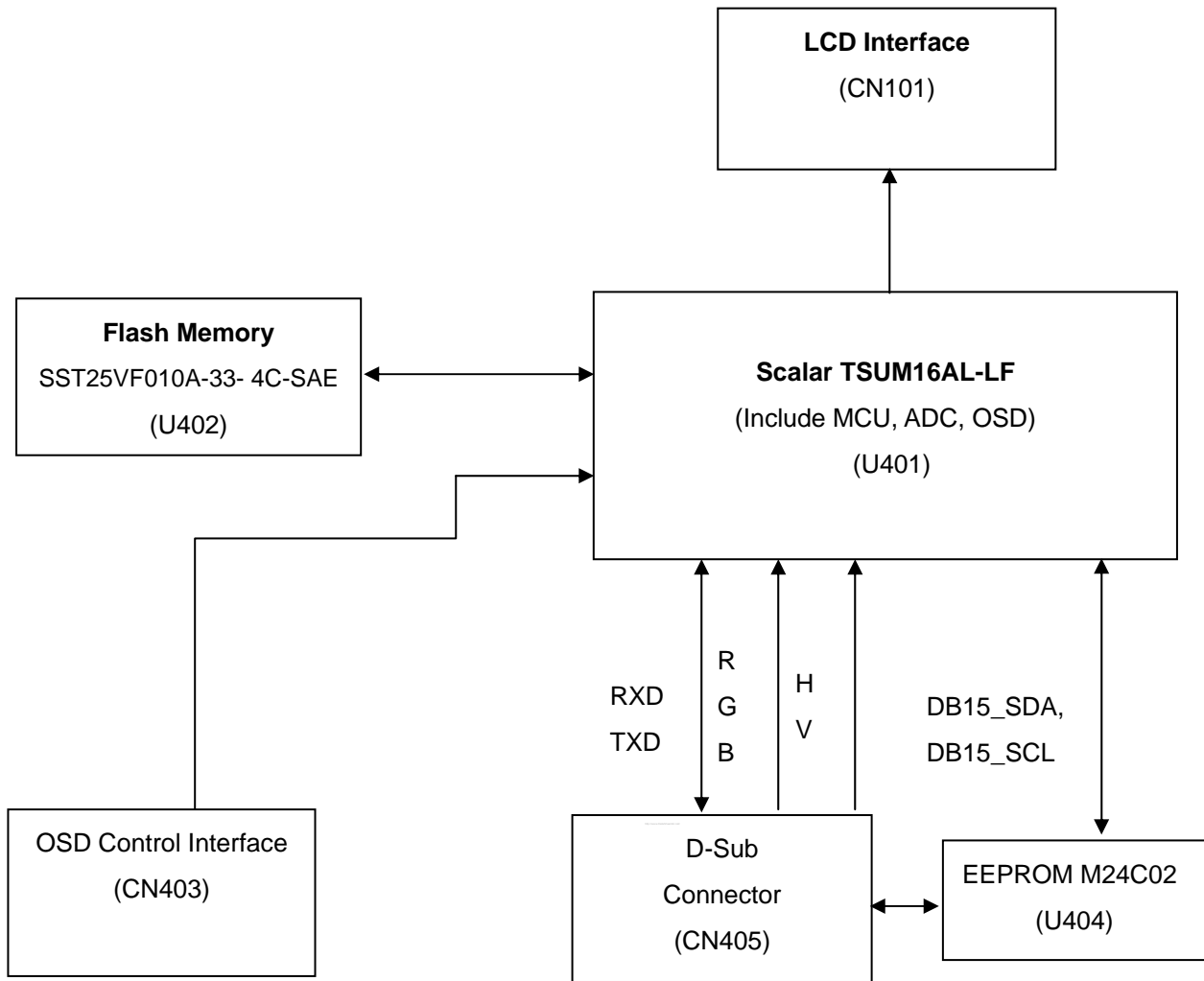




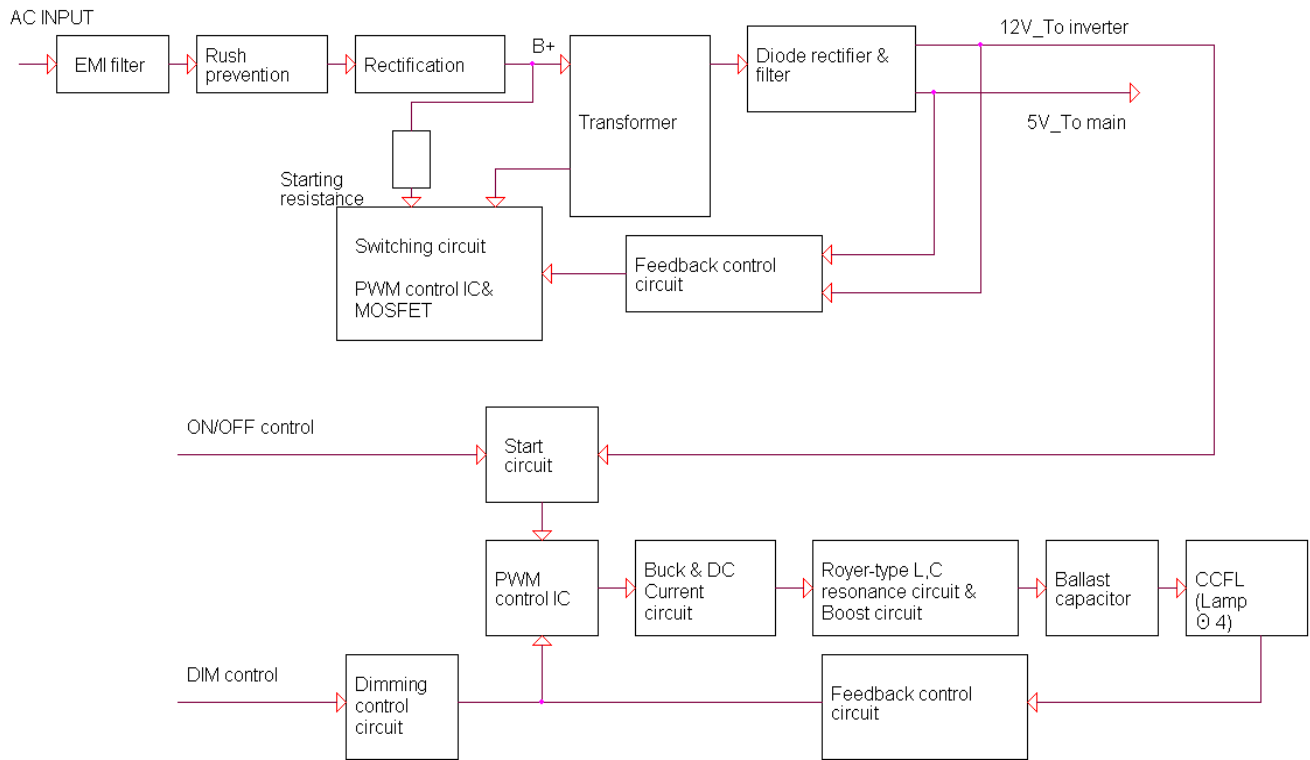
- 1) MCU Initializes.
- 2) Is the EEprom blank?
- 3) Program the EEprom by default values.
- 4) Get the PWM value of brightness from EEprom.
- 5) Is the power key pressed?
- 6) Clear all global flags.
- 7) Are the AUTO and SELECT keys pressed?
- 8) Enter factory mode.
- 9) Save the power key status into EEprom.  
Turn on the LED and set it to green color. Scalar initializes.
- 10) In standby mode?
- 11) Update the lifetime of back light.
- 12) Check the analog port, are there any signals coming?
- 13) Does the scalar send out an interrupt request?
- 14) Wake up the scalar.
- 15) Are there any signals coming from analog port?
- 16) Display "No connection Check Signal Cable" message. And go into standby mode after the message disappears.
- 17) Program the scalar to be able to show the coming mode.
- 18) Process the OSD display.
- 19) Read the keyboard. Is the power key pressed?

### 5.3 Electrical Block Diagram

#### 5.3.1 Main Board



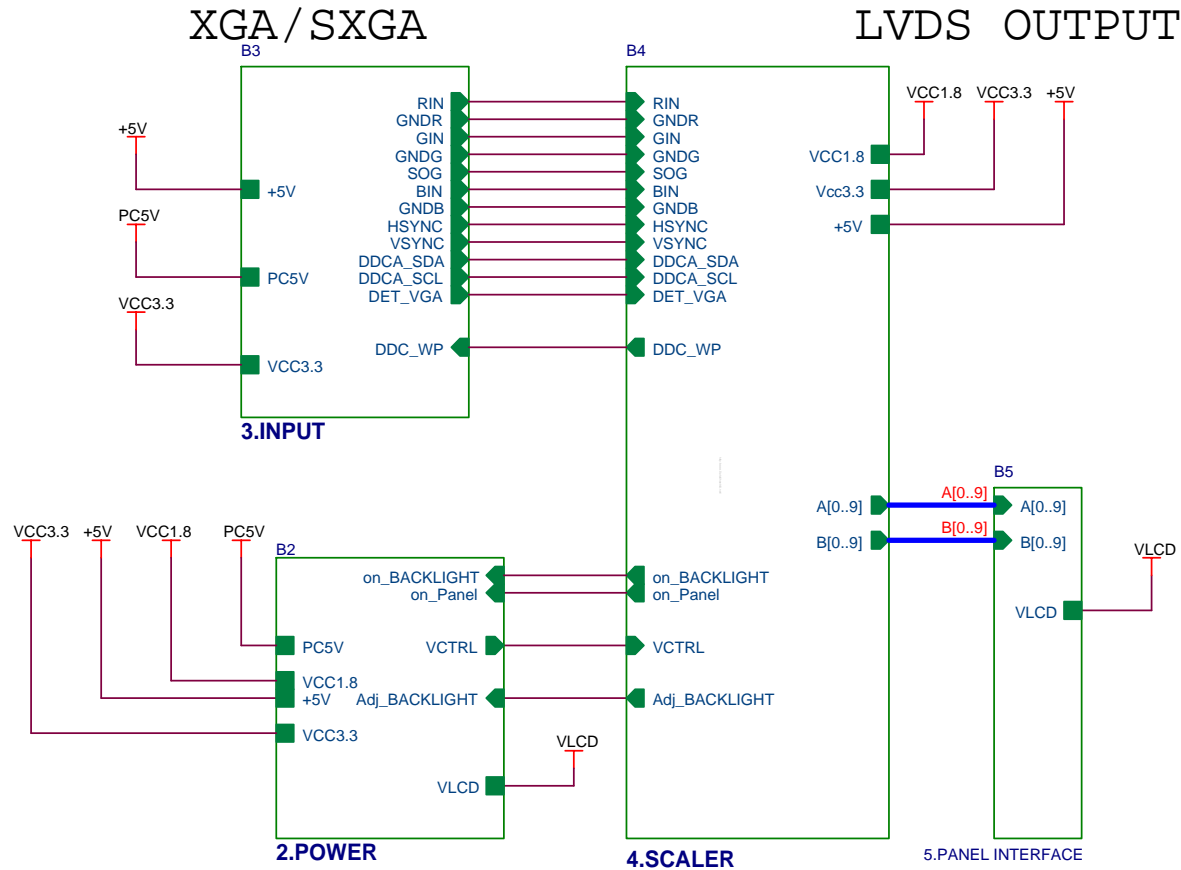
5.3.2 Inverter/Power Board



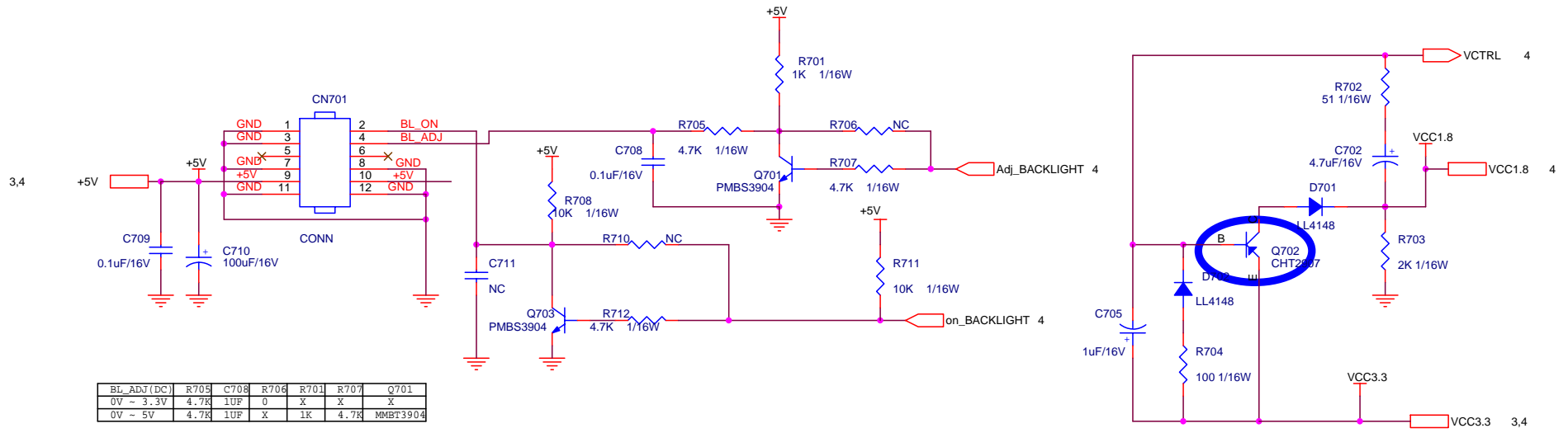
6. Schematic Diagram

6.1 Main Board

# TSUM16AL SCHEMATIC

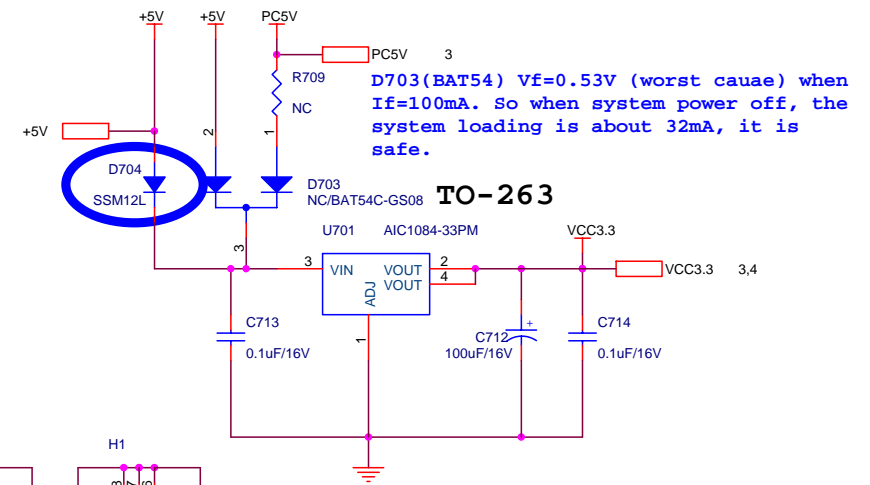
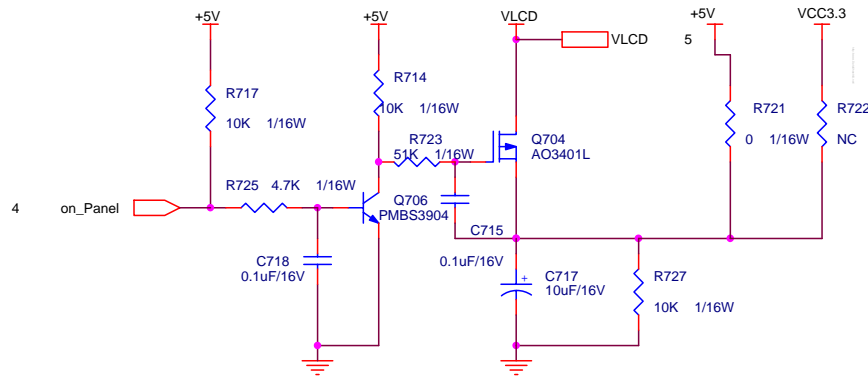


Title		
<b>AOC TSUM16AL</b>		
Size A	Document Number <b>TOP</b>	Rev A
Date: Tuesday, May 16, 2006	Sheet 1 of 5	



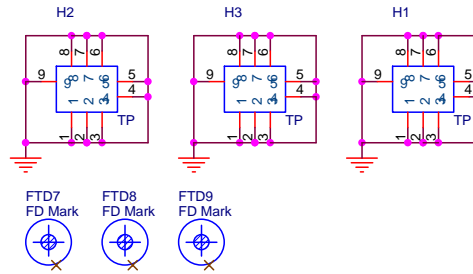
BL_ADJ(DC)	R705	C708	R706	R701	R707	Q701
0V - 3.3V	4.7K	1uF	0	X	X	X
0V - 5V	4.7K	1uF	X	1K	4.7K	MMBT3904

BL_ADJ	R705	C708
P W M	47	N.C
D C	4K7	1uF

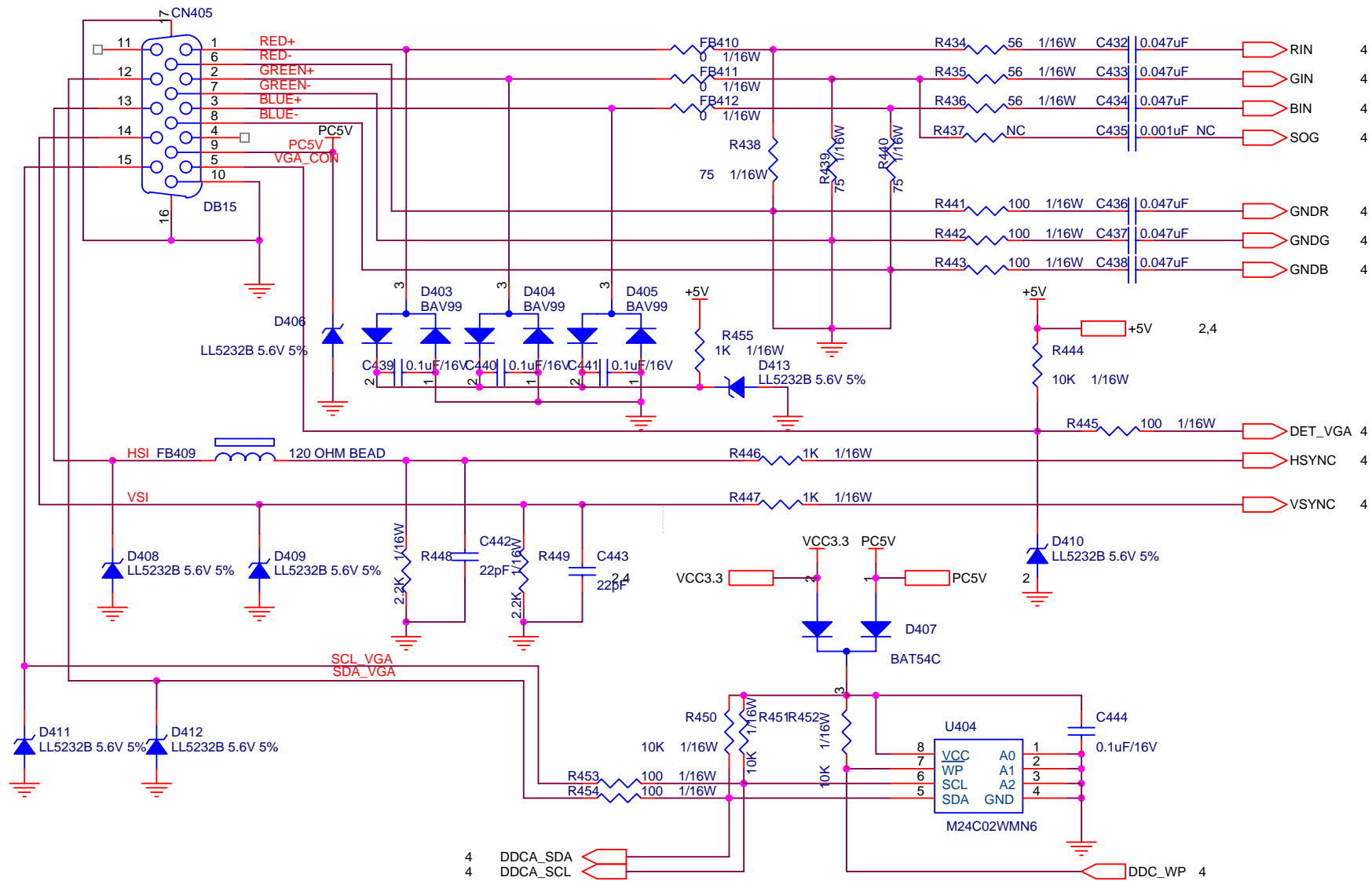


D703(BAT54) Vf=0.53V (worst cauae) when If=100mA. So when system power off, the system loading is about 32mA, it is safe.

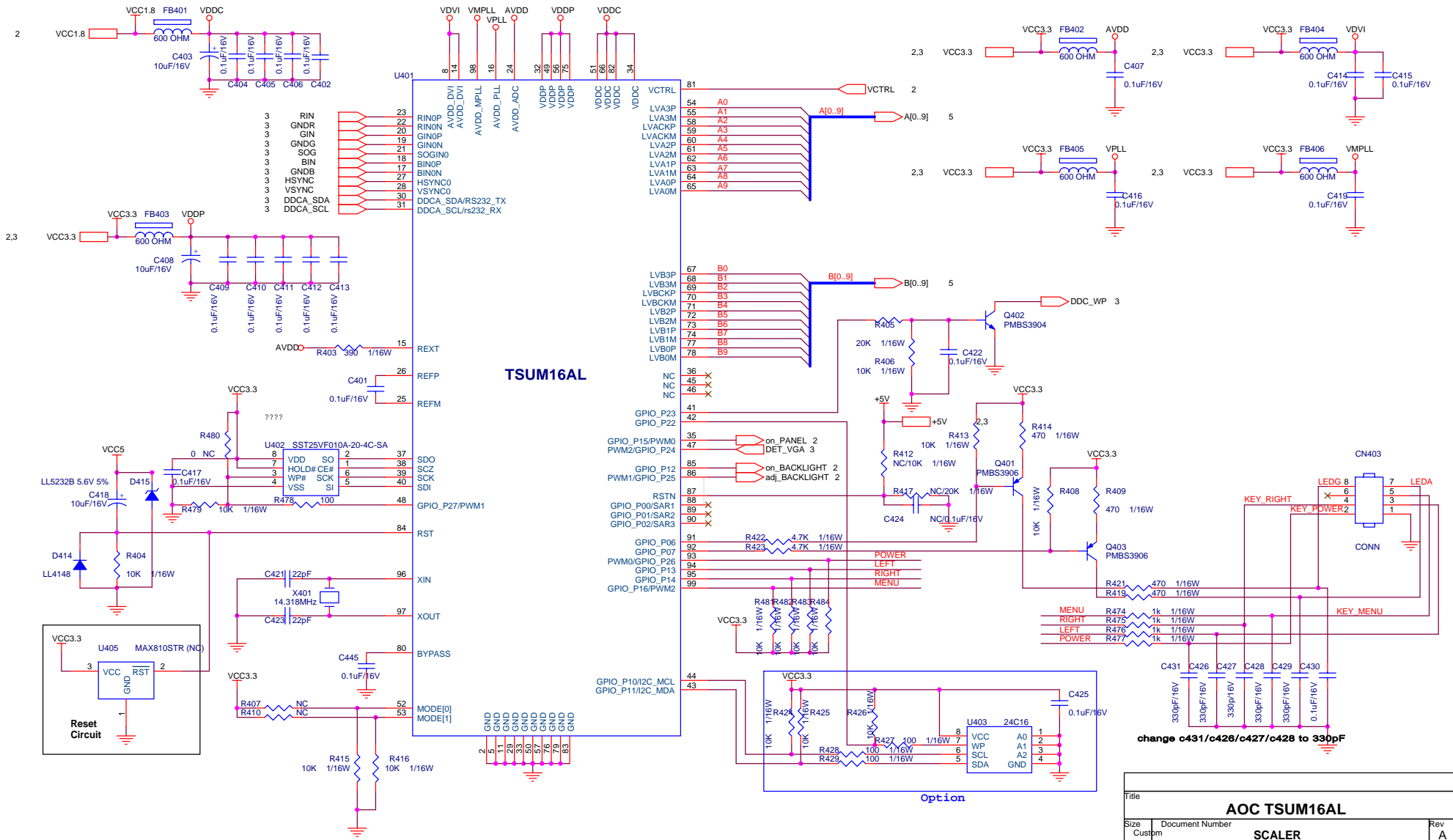
TO-263



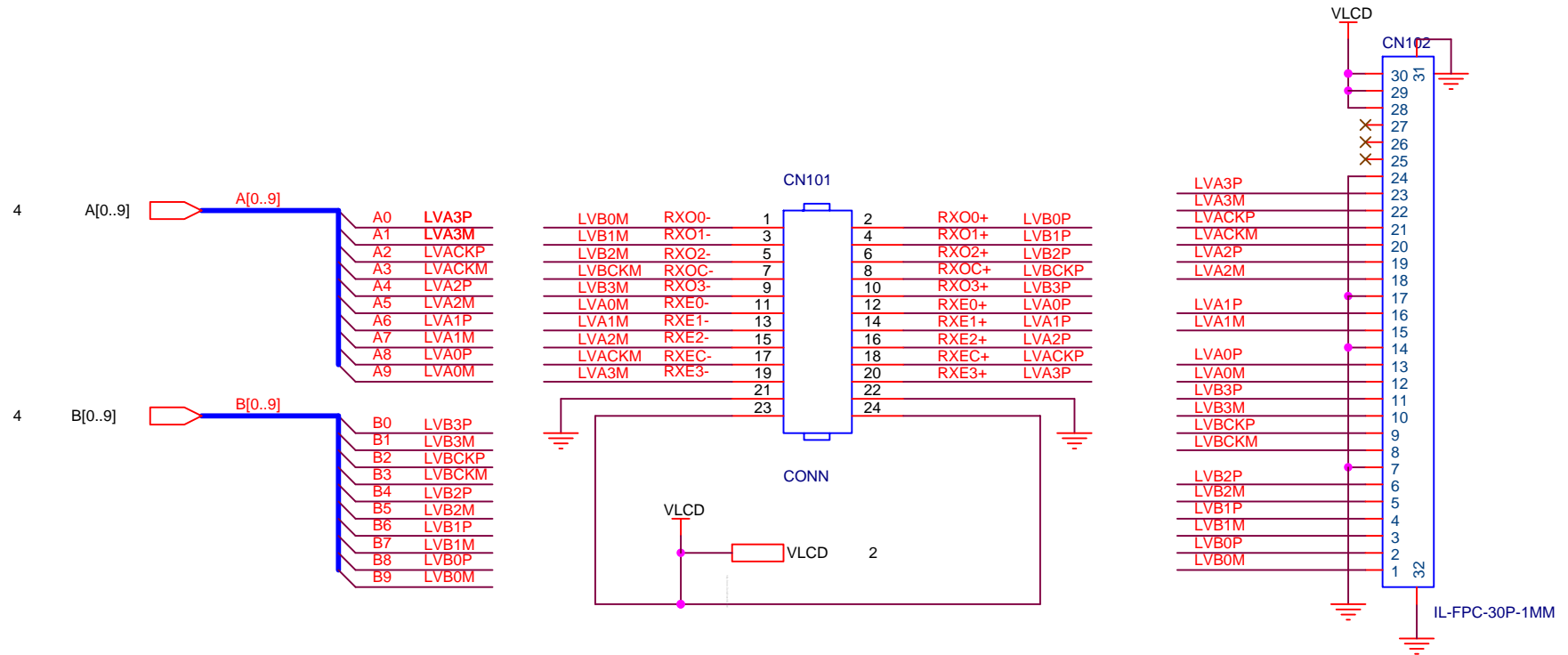
Title			<b>AOC TSUM16AL</b>	
Size	Document Number	<b>POWER</b>		Rev
Custom				A
Date:	Tuesday, May 16, 2006	Sheet	2	of 5



Title		
<b>AOC TSUM16AL</b>		
Size	Document Number	Rev
A	<b>INPUT</b>	A
Date:	Tuesday, May 16, 2006	Sheet 3 of 5



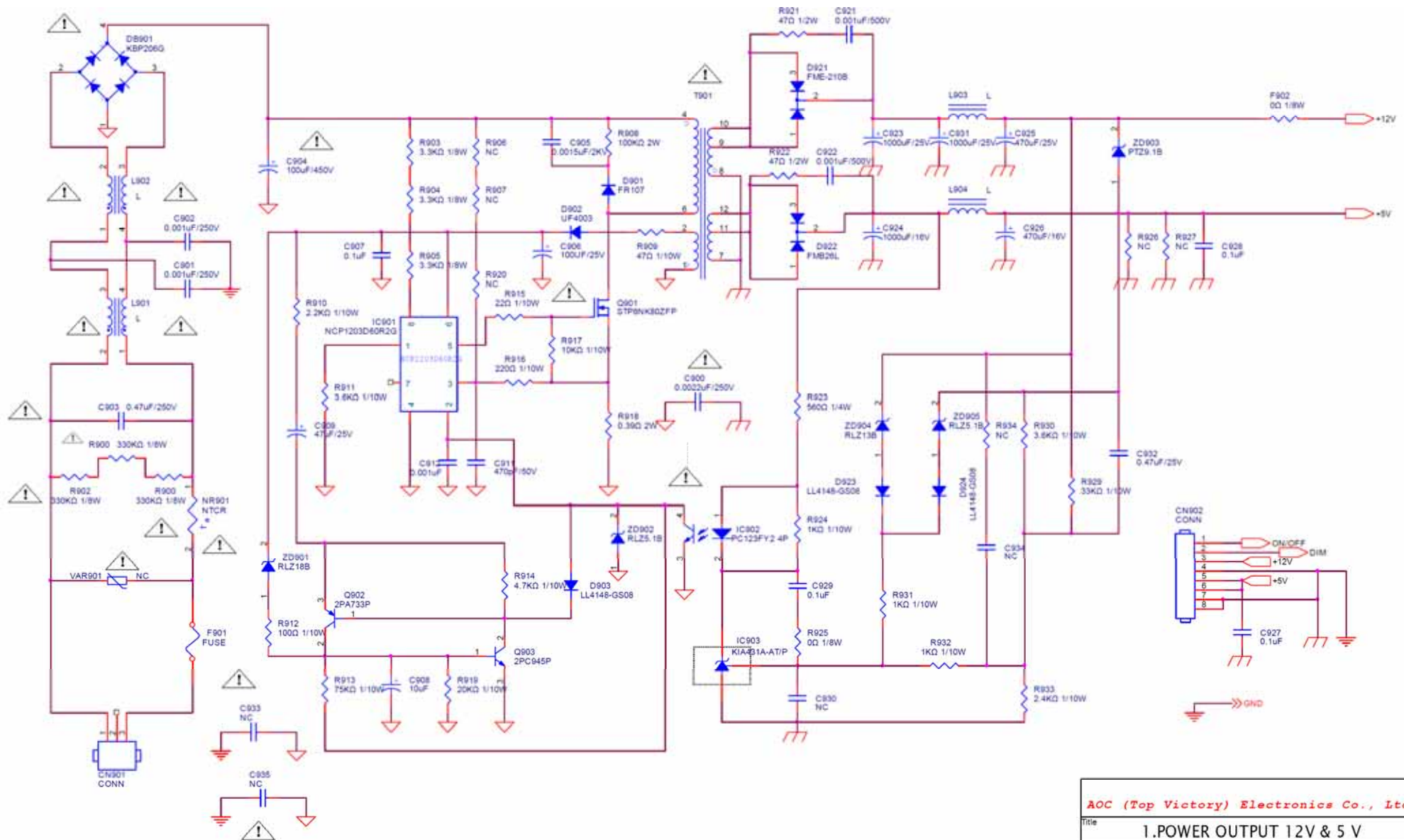
Title			<b>AOC TSUM16AL</b>		
Size	Document Number				Rev
Custom	<b>SCALER</b>				<b>A</b>
Date:	Tuesday, May 16, 2006	Sheet	4	of	5



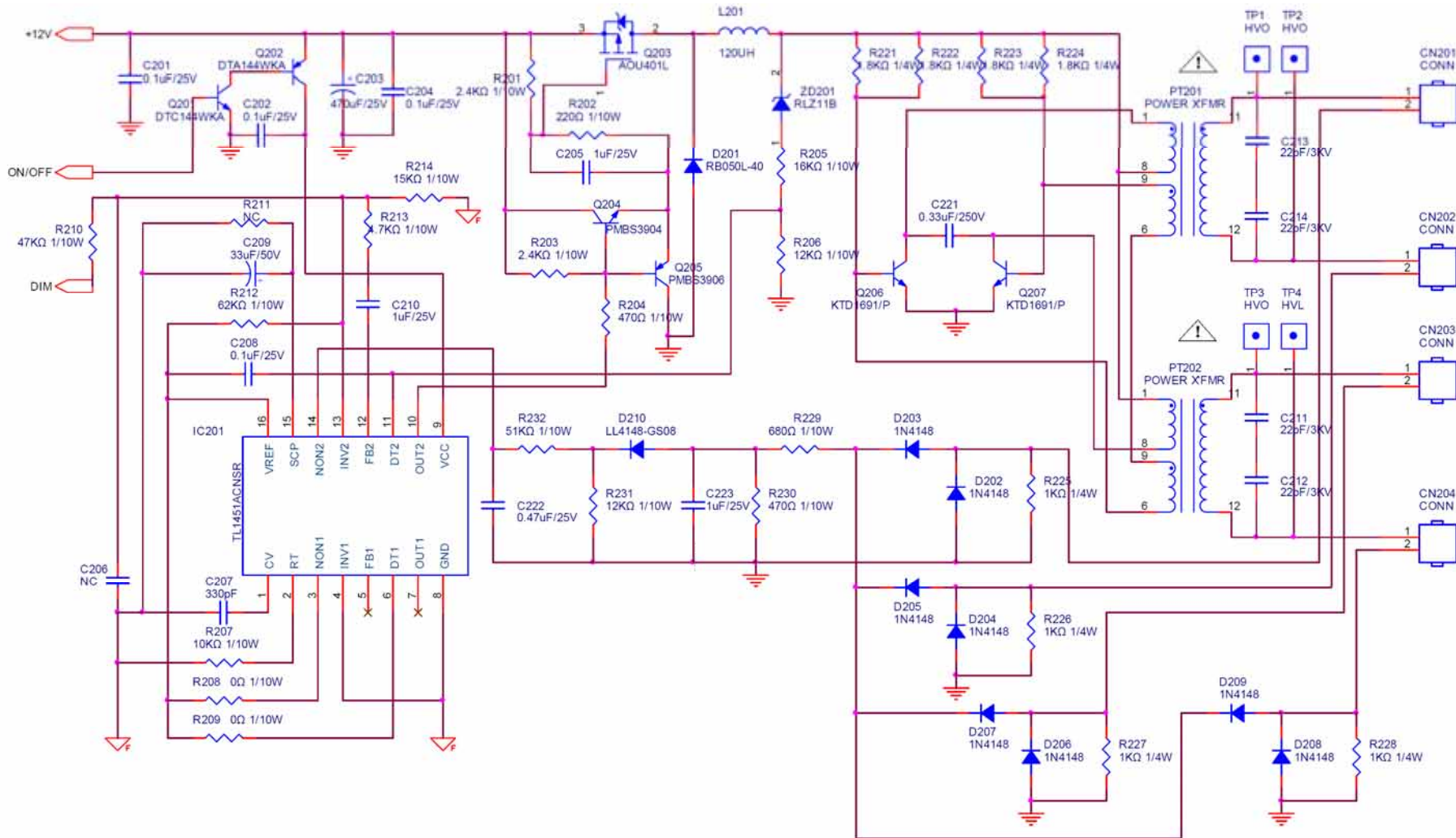
Title		
<b>AOC TSUM16AL</b>		
Size	Document Number	Rev
A	<b>PANEL INTERFACE</b>	A
Date:	Tuesday, May 16, 2006	Sheet 5 of 5



6.2 Power Board



AOC (Top Victory) Electronics Co., Ltd.			
Title		1.POWER OUTPUT 12V & 5 V	
Size	Document Number	Rev	
B	PWPC1742CPD2P (715G1492-1)	A	
Date	Thursday, June 02, 2005	Sheet	1 of 2

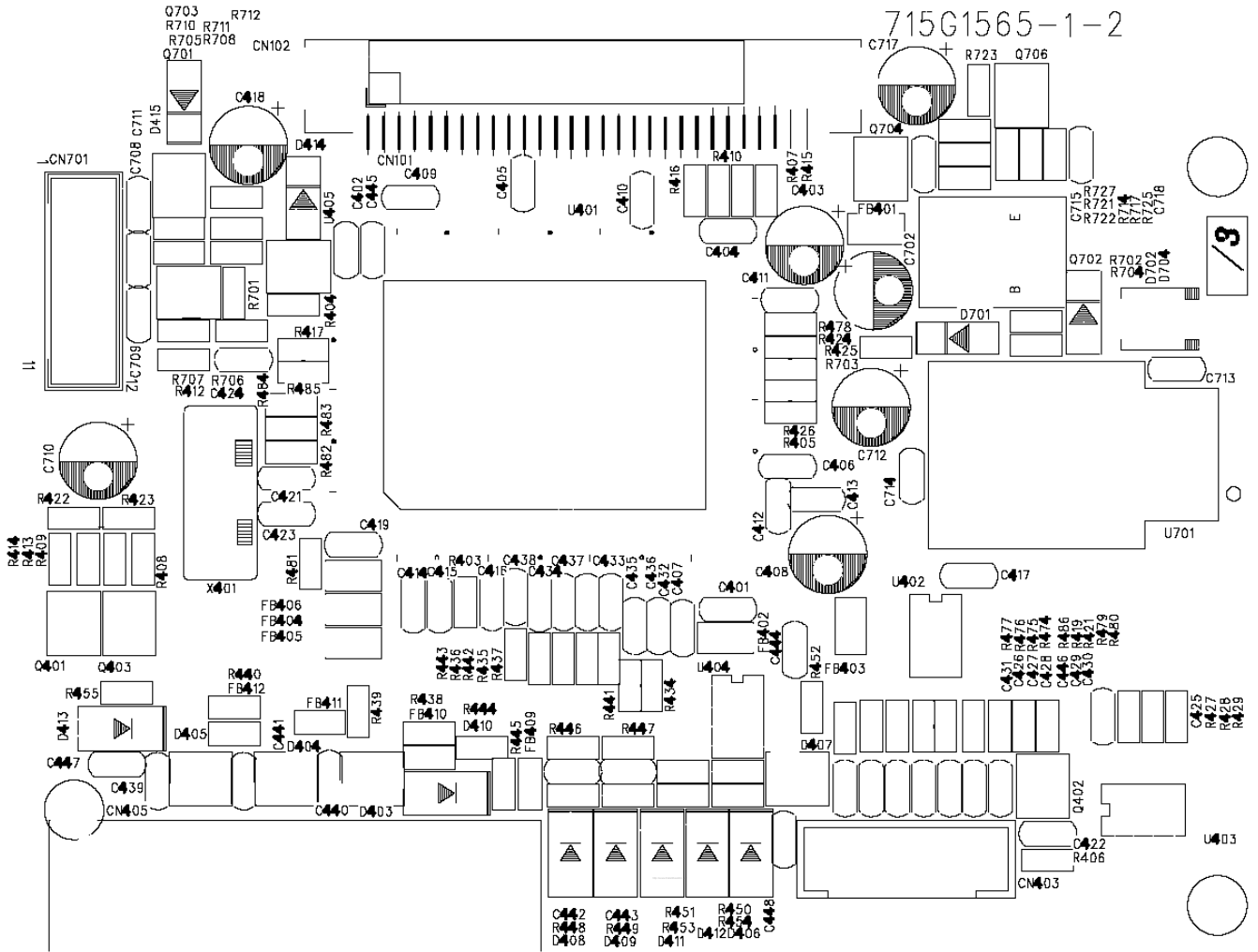


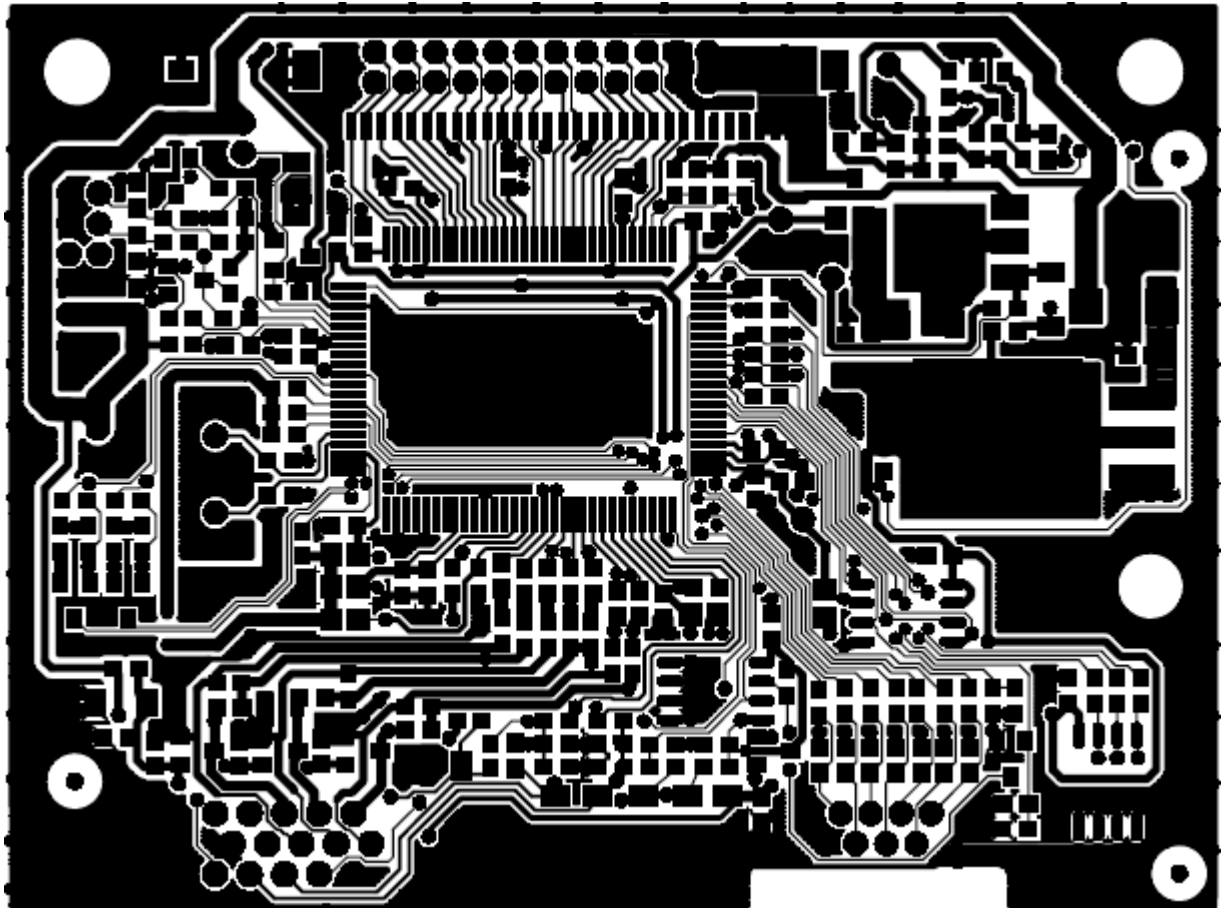
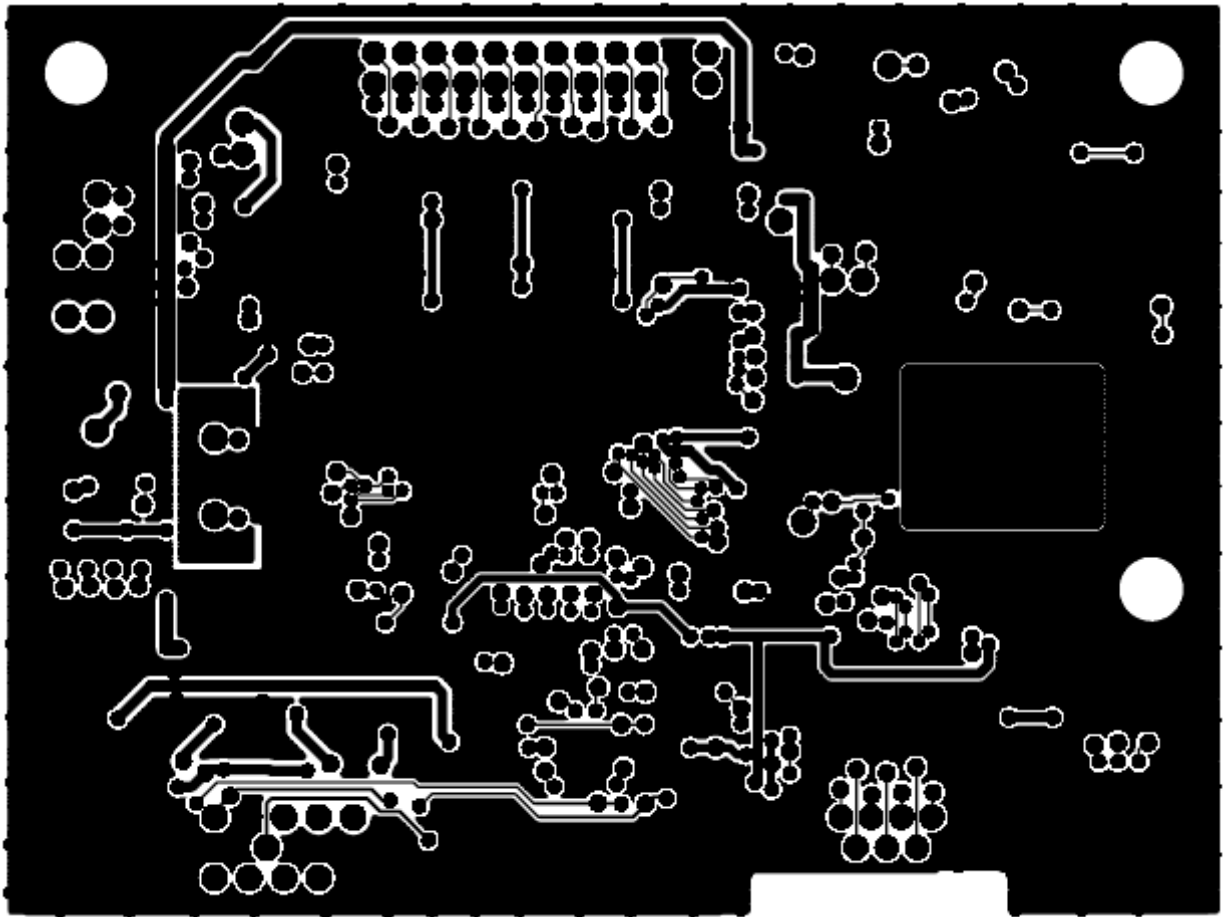
AOC (Top Victory) Electronics Co., Ltd.		
Title 2. FOR 17" 4 LAMPS INVERTER		
Size	Document Number PWPC1742CPD2P(715G1492-1)	Rev A
Date Thursday, June 02, 2005	Sheet 2	of 2

⏏ is power GND  
⏏ is signal GND

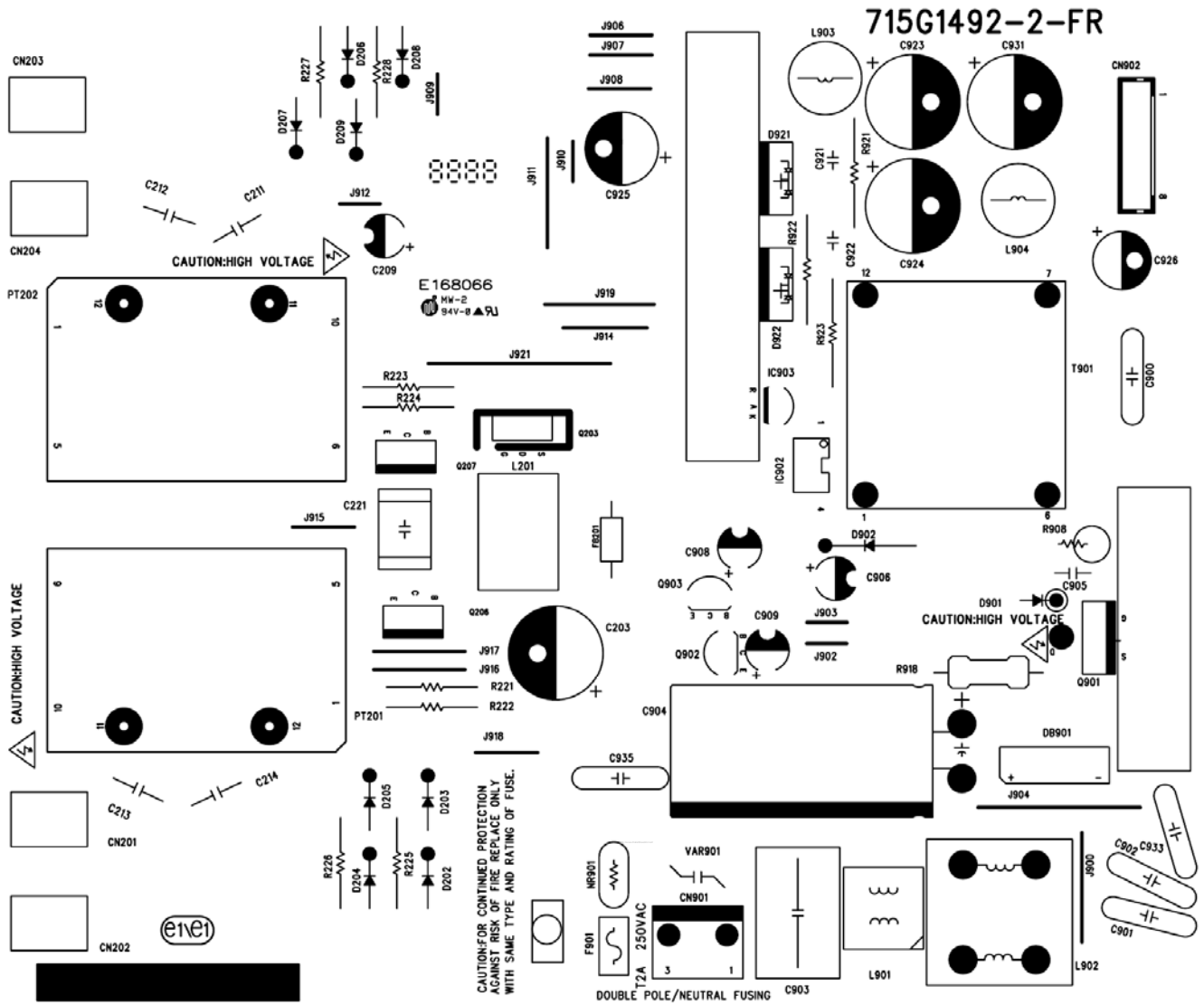
# 7. PCB Layout

## 7.1 Main Board

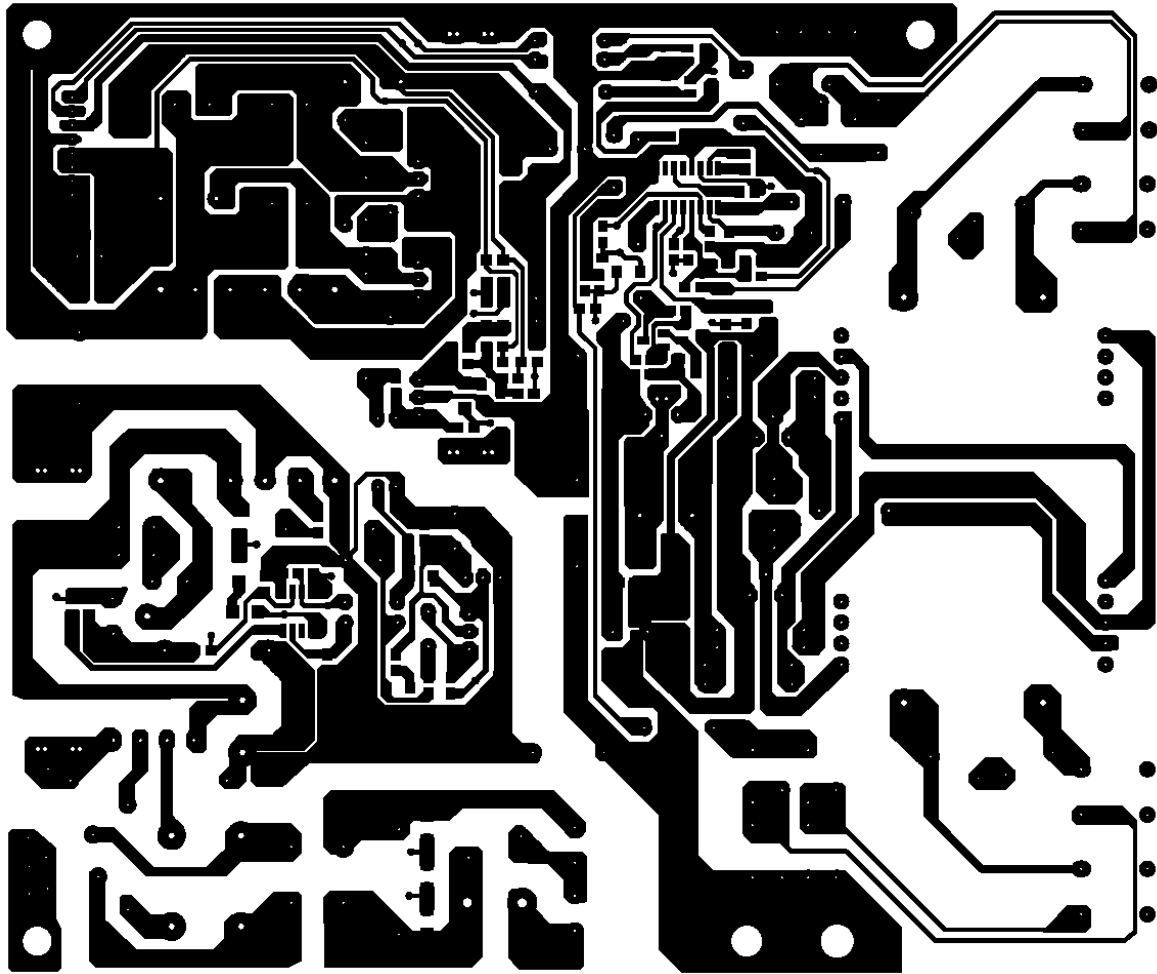




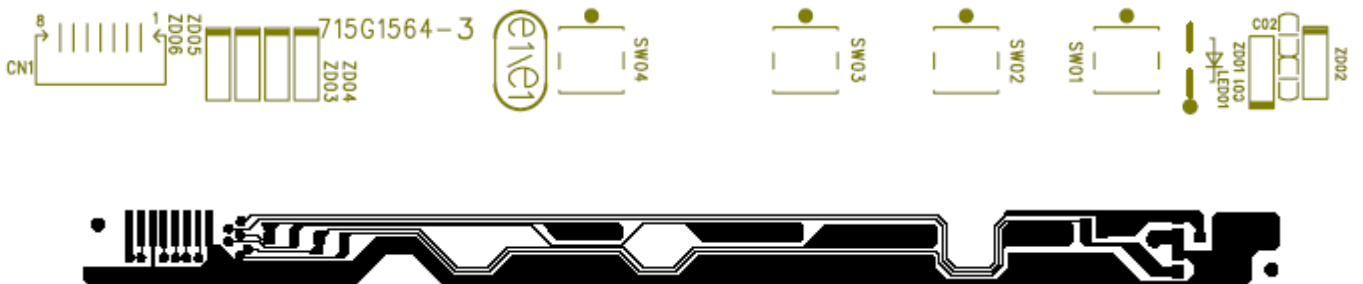
7.2 Power Board







### 7.3 Key Board



## **8. Maintainability**

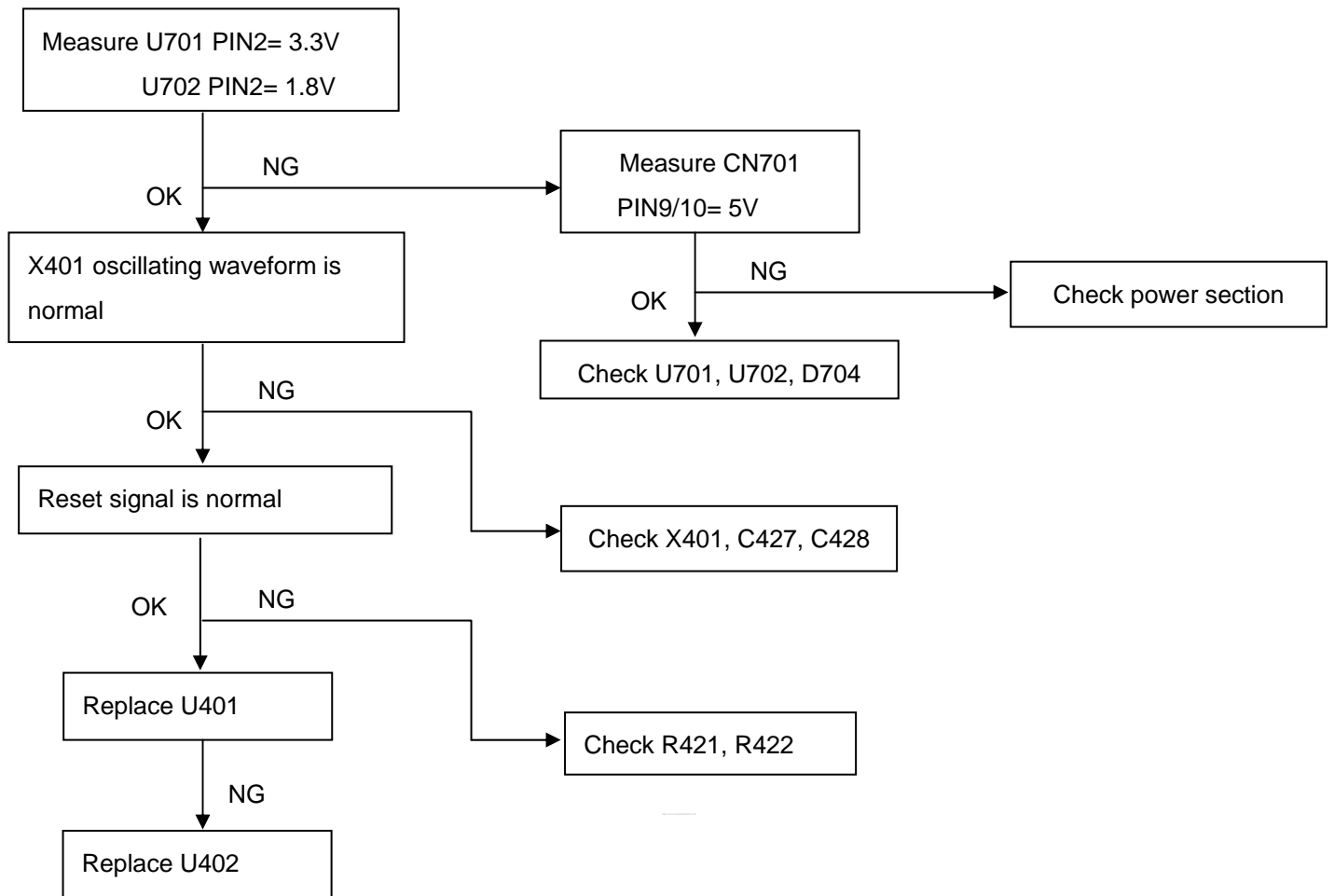
### **8.1 Equipments and Tools Requirement**

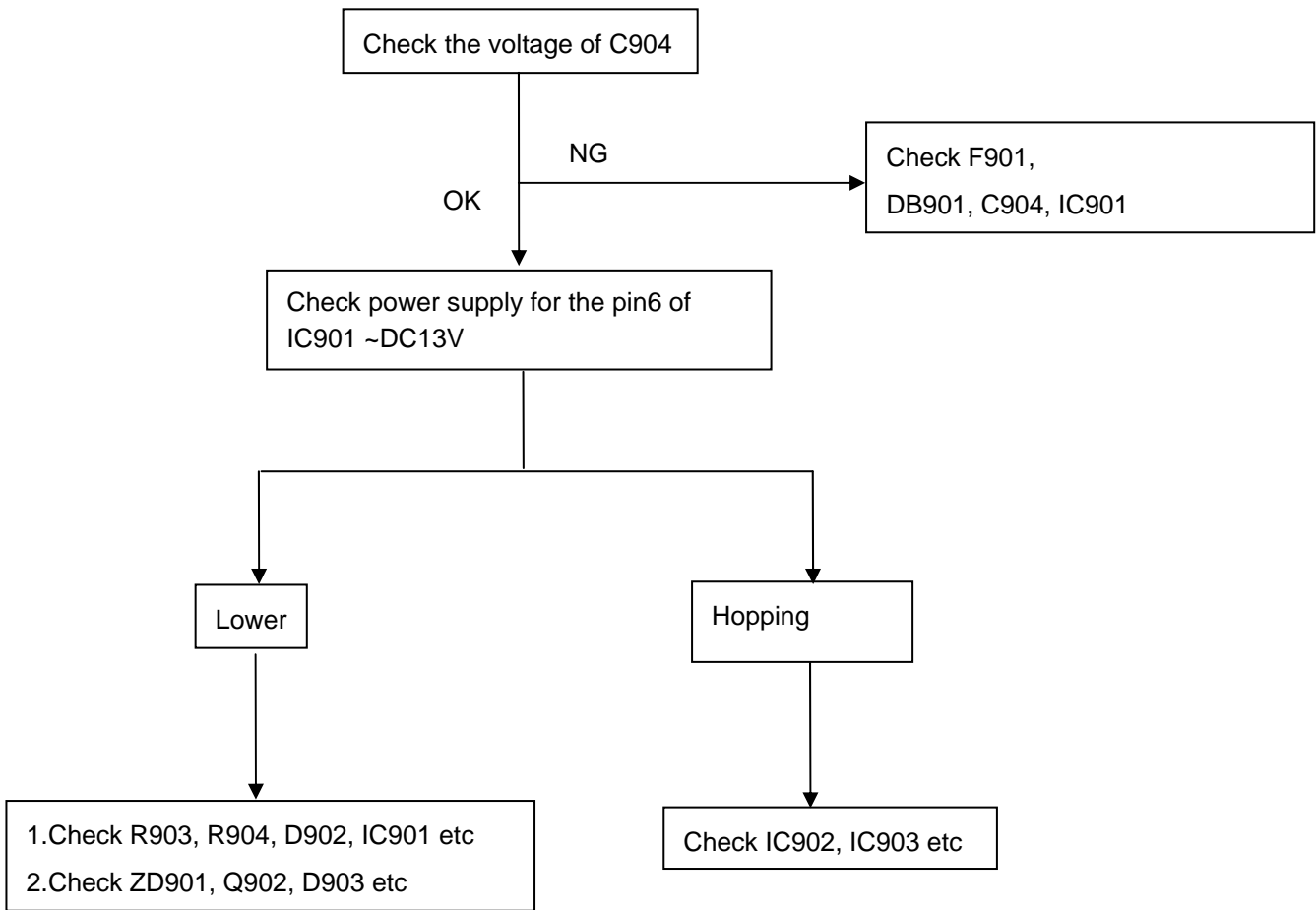
1. Voltage meter
2. Oscilloscope
3. Pattern Generator
4. LCD Color Analyzer
5. Service Manual
6. User Manual

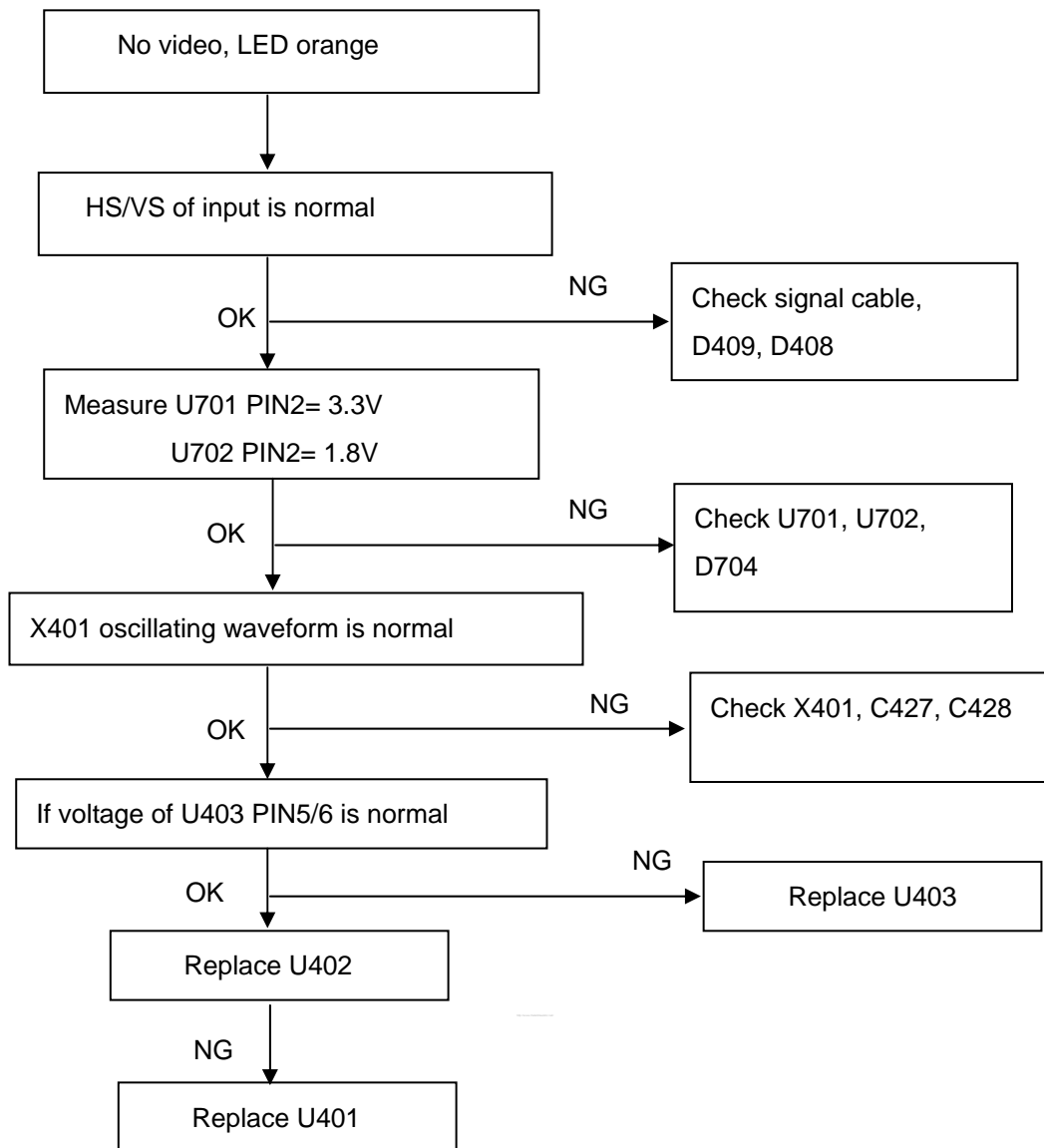


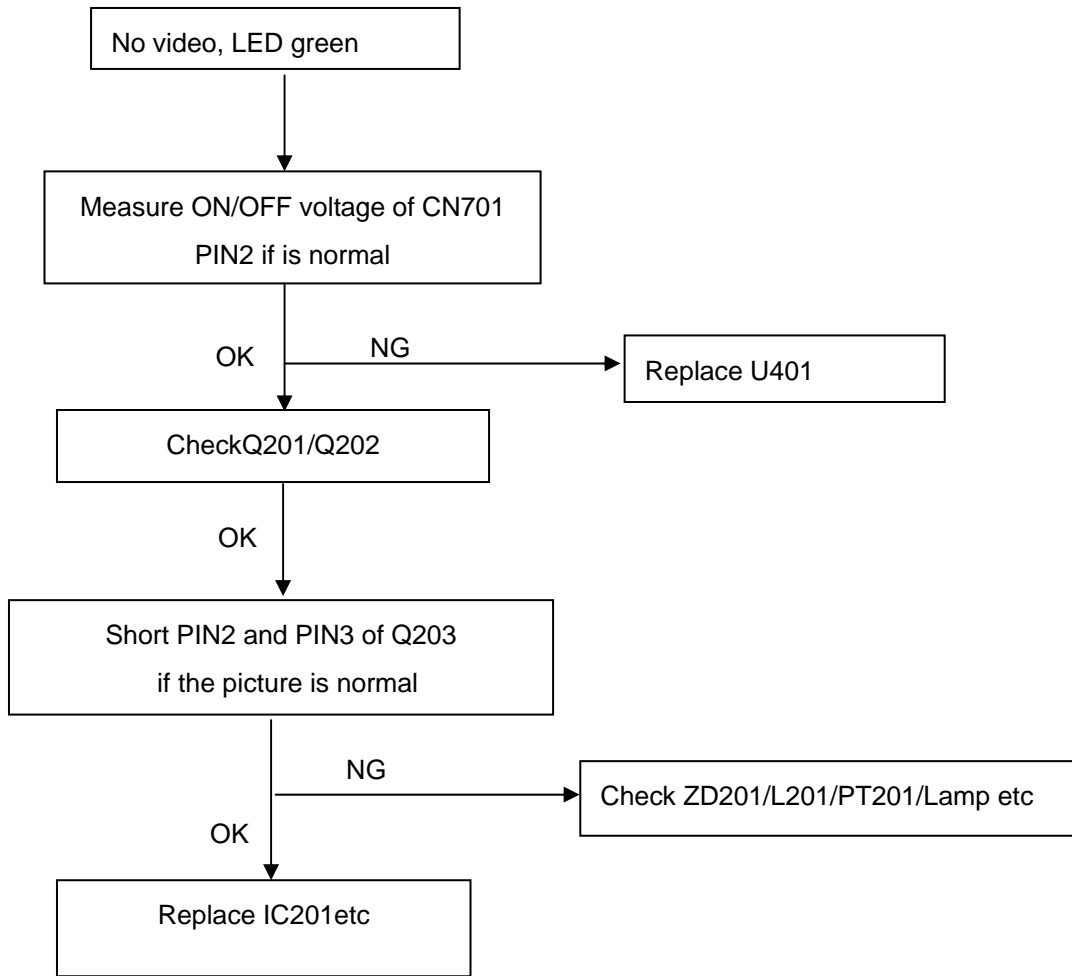
### 8.2 Trouble shooting

#### No power

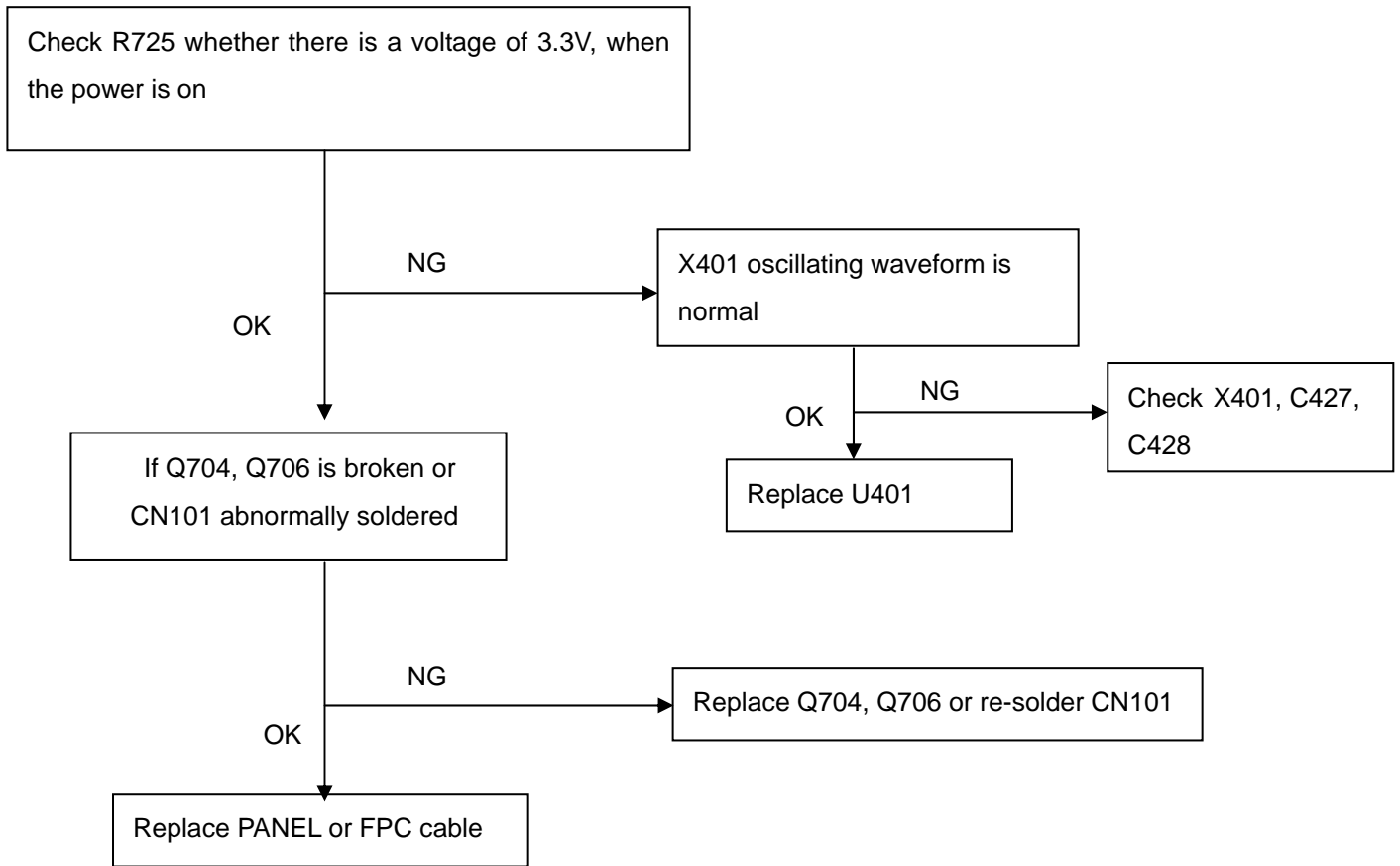


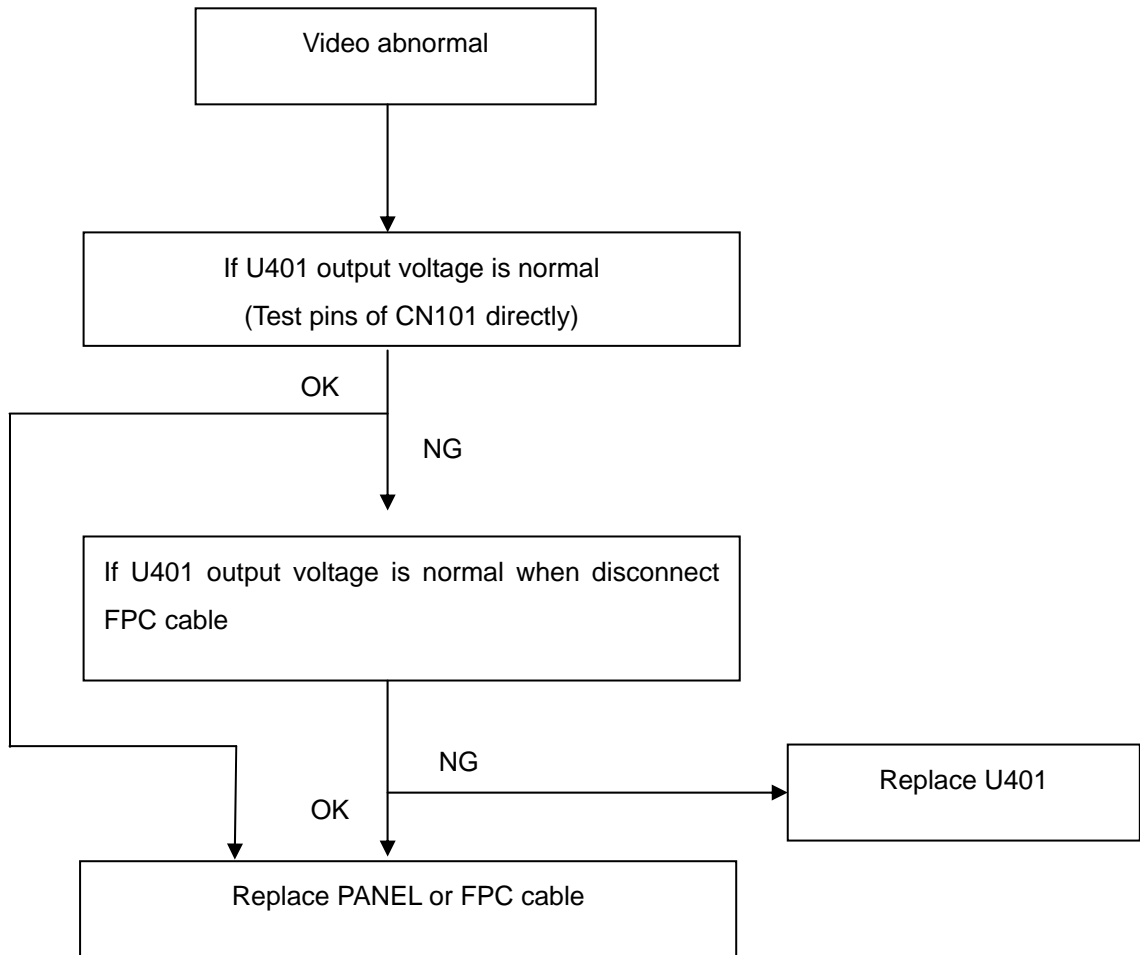


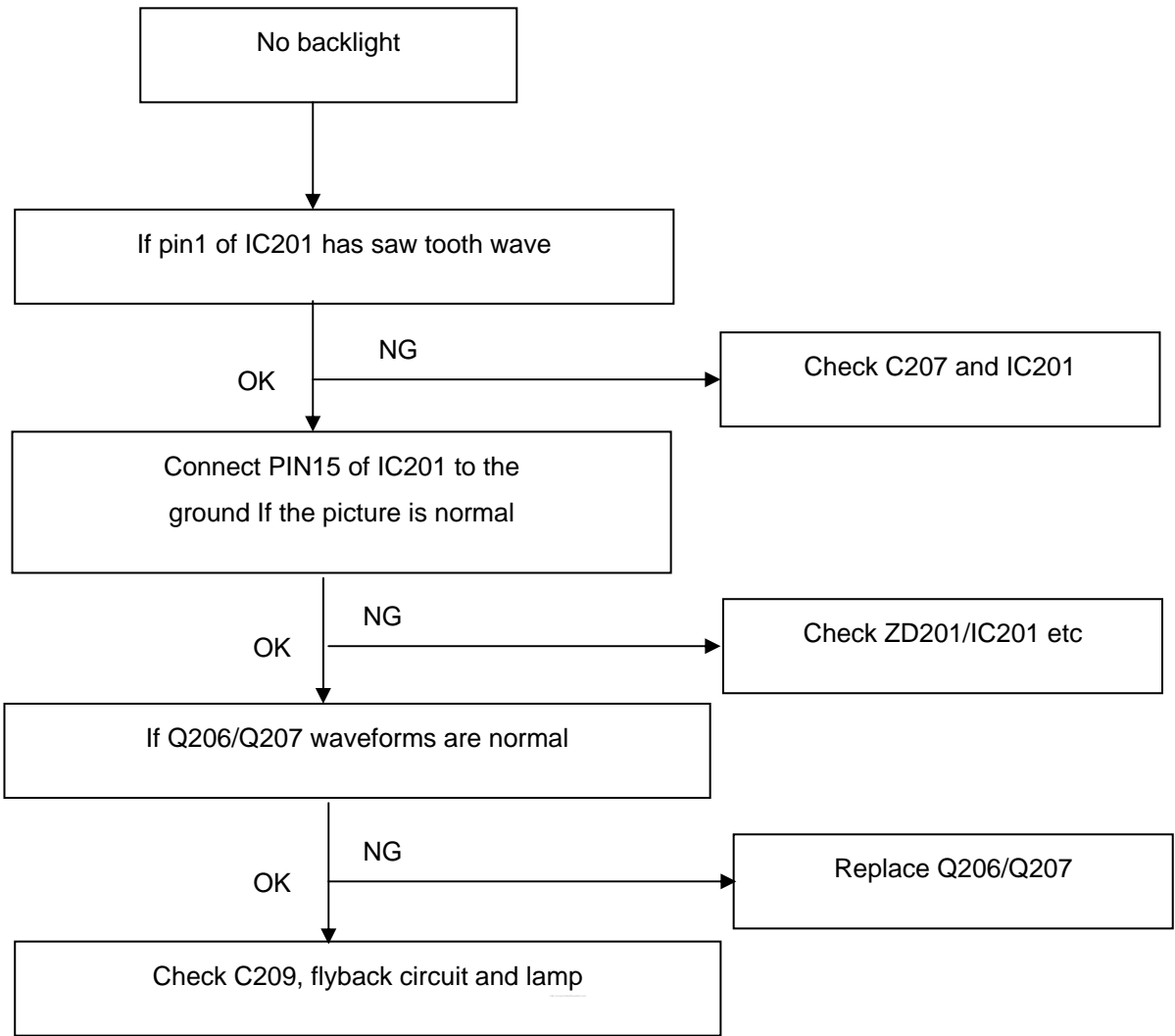




White screen



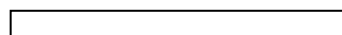




OSD is unstable or not working

47

NG







## 9. White balance, Luminance adjustment

**Approximately 2 Hours should be allowed for warm up before proceeding White-Balance adjustment.**

Before started adjust white balance, please setting the Chroma-7120 **MEM. Channel 3 to 6500<sup>0</sup>K colors, MEM. Channel 4 to 9300<sup>0</sup>K colors, MEM. Channel 9 to 5700<sup>0</sup>K** (our 9300<sup>0</sup>K parameter is  $x=283\pm28$ ,  $y=297\pm28$ ,  $Y = 175 \pm 20$  cd/m<sup>2</sup>, 6500<sup>0</sup>K parameter is  $x = 313\pm28$ ,  $y=329\pm28$ ,  $Y = 180 \pm 20$  cd/m<sup>2</sup>, and 5700<sup>0</sup>K parameter is  $x = 328 \pm 28$ ,  $y = 344 \pm 28$ ,  $Y = 180 \pm 20$  cd/m<sup>2</sup>)

How to setting MEM.channel you can reference to chroma 7120 user guide or simple use “**SC**” key and “**NEXT**” key to modify xyY value and use “**ID**” key to modify the TEXT description Following is the procedure to do white-balance adjust.

Press MENU and AUTO-ADJUST button during press Power button will activate the factory mode,

### Gain adjustment:

Move cursor to “-Factory Setting-” and press MENU key to enter this sub-menu.

Move cursor to “ Factory” and press MENU key.

Move cursor to “ Auto Level” and press MENU key to adjust Gain and Offset automatically;

#### a. Adjust sRGB (6500<sup>0</sup>K) color-temperature

1. Switch the chroma-7120 to **RGB-mode** (with press “MODE” button)
2. Switch the MEM.channel to Channel 3 (with up or down arrow on chroma 7120)
3. The LCD-indicator on chroma 7120 will show  $x = 313 \pm 28$ ,  $y = 329 \pm 28$ ,  $Y = 180 \pm 20$  cd/m<sup>2</sup>
4. Adjust the RED on OSD window until chroma 7120 indicator reached the value R=100
5. Adjust the GREEN on OSD, until chroma 7120 indicator reached G=100
6. Adjust the BLUE on OSD, until chroma 7120 indicator reached B=100
7. Repeat above procedure (item 5,6,7) until chroma 7120 RGB value meet the tolerance =100±2

#### b. Adjust Color1 (9300<sup>0</sup>K) color-temperature

8. Switch the chroma-7120 to **RGB-mode** (with press “MODE” button)
9. Switch the MEM.channel to Channel 4 (with up or down arrow on chroma 7120)
10. The LCD-indicator on chroma 7120 will show  $x = 283 \pm 28$ ,  $y = 297 \pm 28$ ,  $Y = 175 \pm 20$  cd/m<sup>2</sup>
11. Adjust the RED on OSD window until chroma 7120 indicator reached the value R=100
12. Adjust the GREEN on OSD, until chroma 7120 indicator reached G=100
13. Adjust the BLUE on OSD, until chroma 7120 indicator reached B=100
14. Repeat above procedure (item 5,6,7) until chroma 7120 RGB value meet the tolerance =100±2

#### c. Adjust Color2 (5700<sup>0</sup>K) color-temperature

15. Switch the chroma-7120 to **RGB-mode** (with press “MODE” button)
16. Switch the MEM.channel to Channel 9 (with up or down arrow on chroma 7120)
17. The LCD-indicator on chroma 7120 will show  $x = 328 \pm 28$ ,  $y = 344 \pm 28$ ,  $Y = 180 \pm 20$  cd/m<sup>2</sup>
18. Adjust the RED on OSD window until chroma 7120 indicator reached the value R=100
19. Adjust the GREEN on OSD, until chroma 7120 indicator reached G=100

20. Adjust the BLUE on OSD, until chroma 7120 indicator reached B=100
21. Repeat above procedure (item 5,6,7) until chroma 7120 RGB value meet the tolerance =100±2
22. Move cursor to " Exit/Save" sub-menu and press MENU key to save adjust value and exit.

**Turn the POWER-button off to on to quit from factory mode.**

**Max Brightness measurement:**

- a. Switch to the full white pattern, in user mode main menu:
  1. Set <Color Settings> Red, Green, and Blue to the max.
  2. Set <Brightness> Brightness, Contrast to the max.
- b. The Minimum brightness is 200cd/m<sup>2</sup> ±20

### 10. ISP Instruction

#### Configure and procedure

It is a windows-based program, which cannot be run in MS-DOS.

#### System and equipment requirements

- (1). An i486 (or above) personal computer or computer or compatible.
- (2). Microsoft operation system Window 95/98/2000/XP.
- (3). ISP Tool: ISP board/printer cable/VGA cable as shown in Fig.1

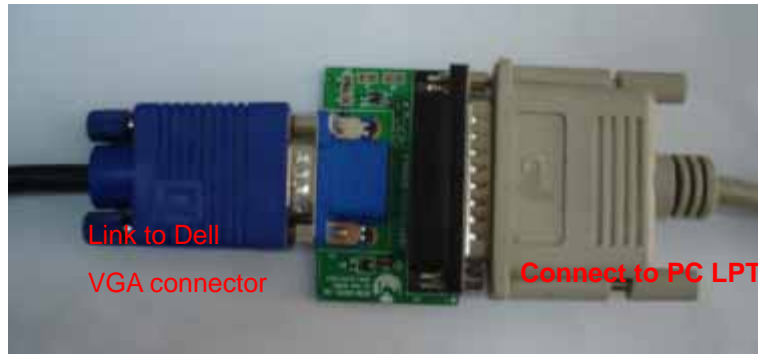


Fig.1

#### (4). ISP software checklist

- DELLE177FP\_TSUM16AL\_CPTEA07Q\_C1C07\_20060518\_010.BIN
- DELLE177FP\_TSUM16AL\_CPTEA07Q\_C1C07\_20060518\_010A.BIN
- DELLE177FP\_TSUM16AL\_LM170E1\_C1C07\_20060518\_010.BIN
- DELLE177FP\_TSUM16AL\_LM170E1\_C1C07\_20060518\_010A.BIN
- ISP\_Tool v3.772.exe

#### (5). Update the firmware

Step 1: Double click the ISP\_Tool v3.772.exe  icon and click Connect, bring up Fig.2

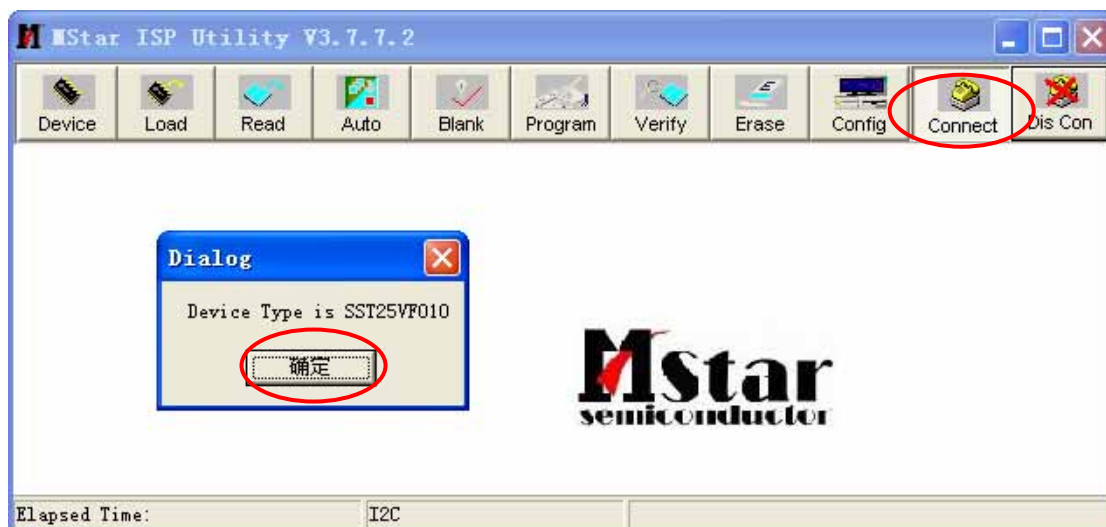


Fig.2

Step 2: Click OK and click Read, select program Bin file, bring up Fig.3

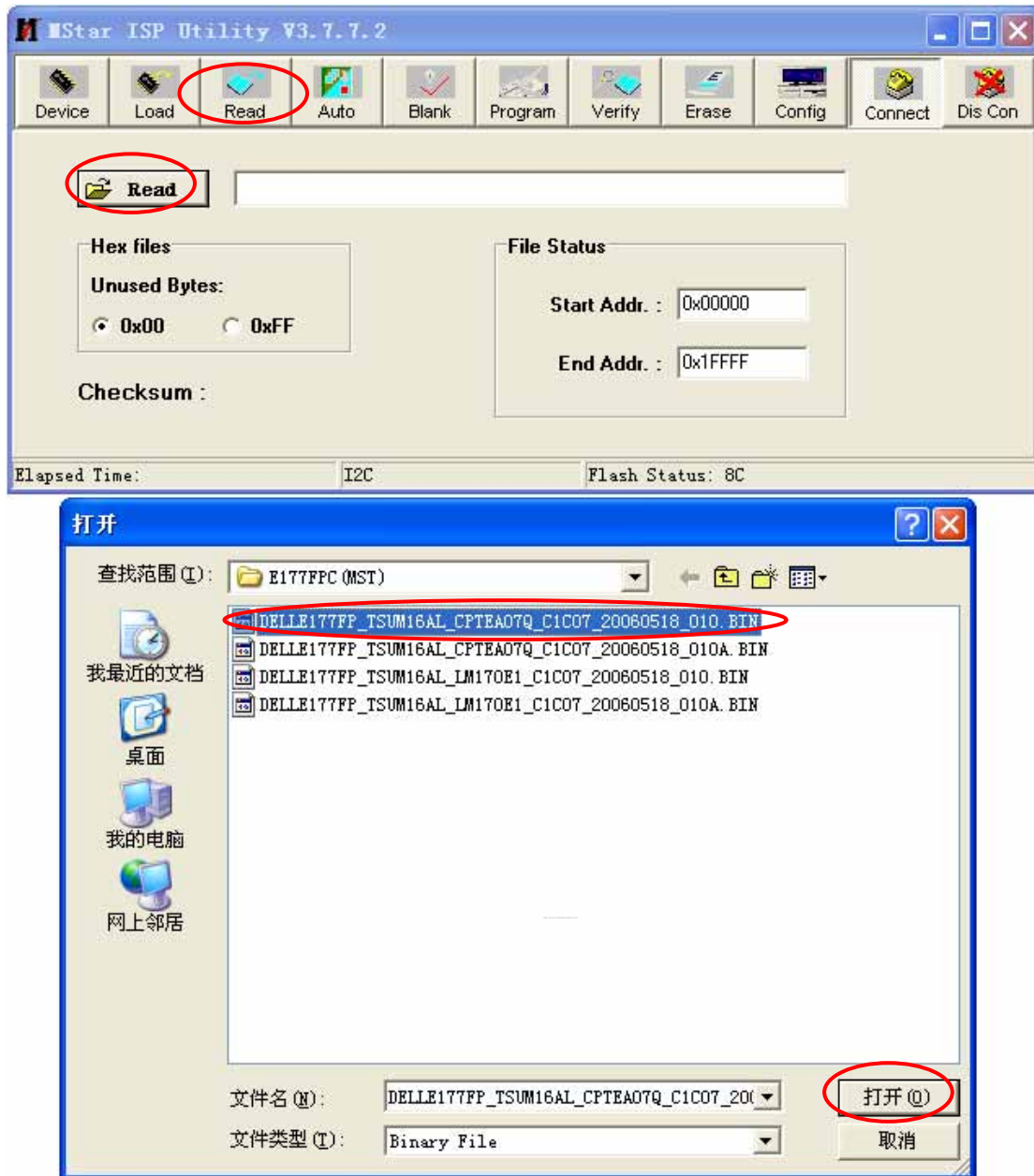


Fig.3

Step3: Click open and OK, bring up Fig.4 and Fig.5

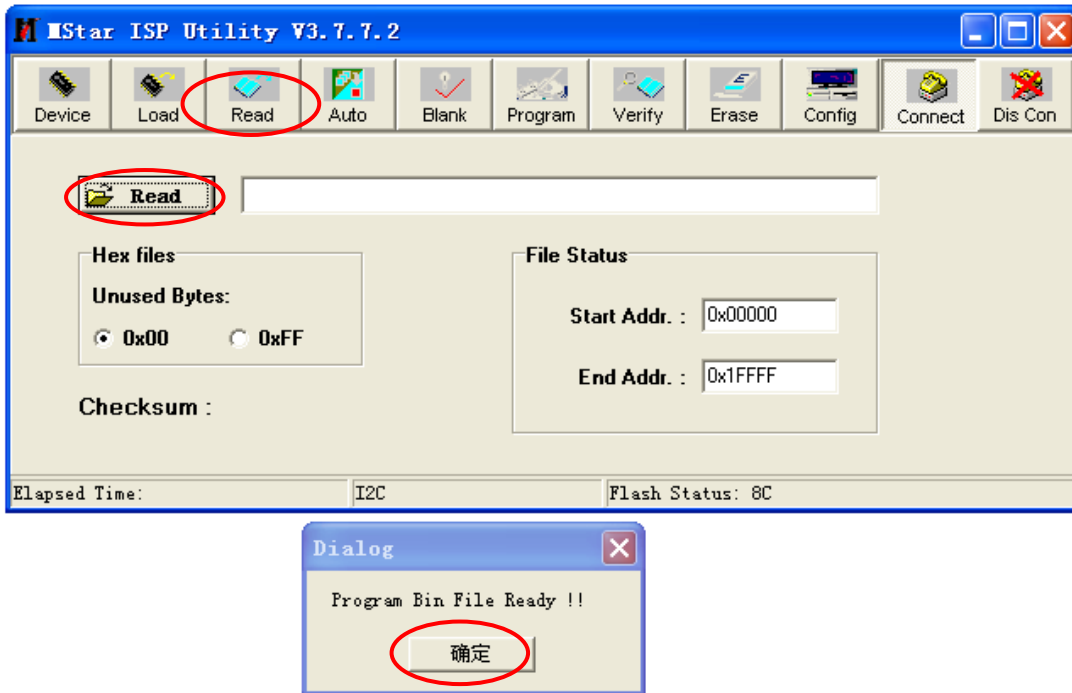


Fig.4

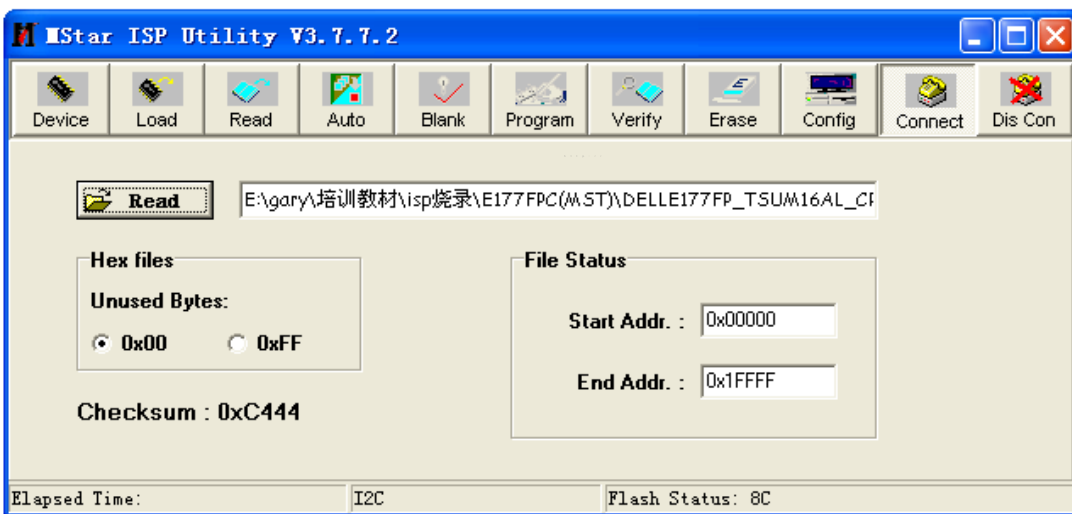


Fig.5

Step 4: Click Auto and Run, bring up Fig.6

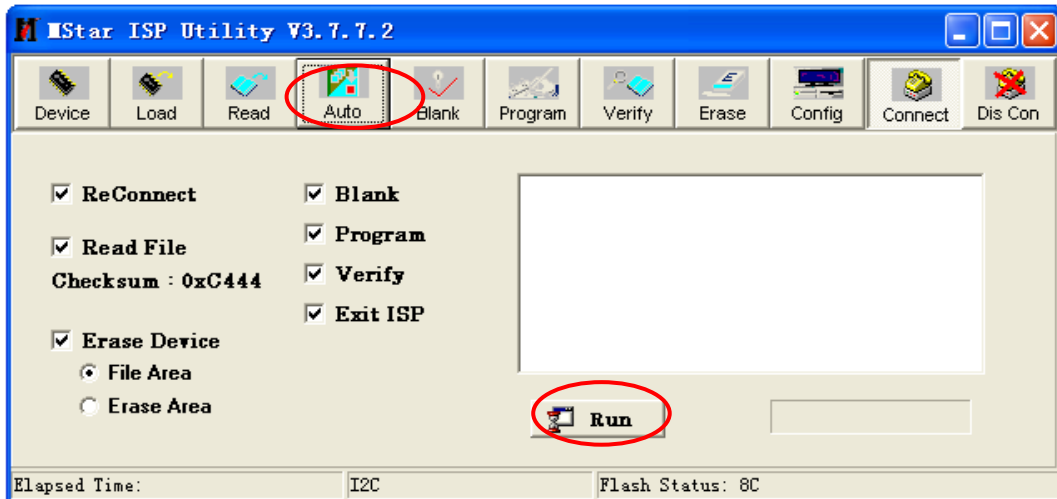


Fig.6

Step 5: When appear Verify OK, writer finished as shown Fig.7

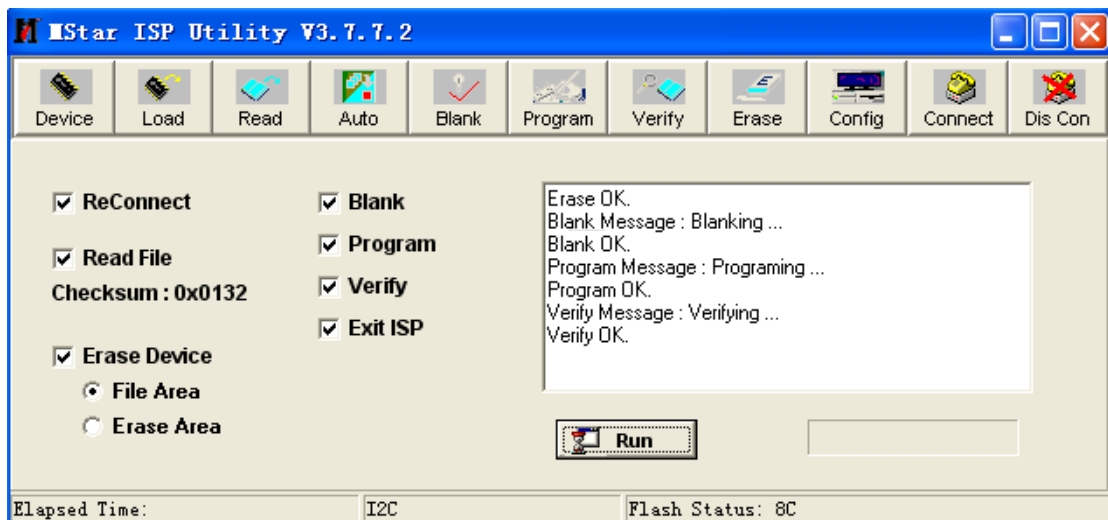


Fig.7

## 11. Check List

- 1) After replacing LCD Main board and panel, Check if white-balance is within the specs, then re-writing DDC is necessary.

The white-balance value for each common color temperature:

9300 parameter is  $x=283\pm 28, y=297\pm 28, Y = 180 \pm 10 \text{ cd/m}^2$ ,

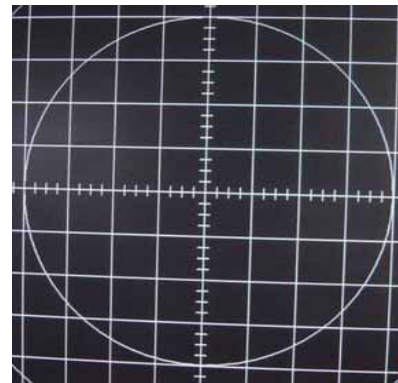
6500 parameter is  $x = 313\pm 28, y=329\pm 28, Y = 180 \pm 10 \text{ cd/m}^2$ ,

5700 parameter is  $x = 328 \pm 28, y = 344 \pm 28, Y = 180 \pm 10 \text{ cd/m}^2$

The color temperature value above must be up to the situation of  $x < y$ . The value of Y should be confirmed according to different customers. 15" LCD is commonly  $180\pm 20 \text{ cd/cm}^2$  ( Center ) and 17" LCD is required to be larger than  $200 \text{ cd/cm}^2$  (Center). The exact brightness values are confirmed by the checking-regulations of different customers and different models.

### 2) Steps of white-balance adjustment for LCD:(Take 17" AOC LCD LM724 for example)

1. Required instruments: Chroma7120、 Chroma2325 ( BGA265A ),
2. First connect the instruments together and turn on the LCD power, then warm up for 30 minutes under full white screen mode. First press the "Reset" key in the menu to recover factory set as following.



Set Chroma2325 at round-windows mode and make the detecting-head of Chroma7120 aim at the cross in the middle, the distance between the detecting-head and the cross is 20cm.

3. Set Chroma2325 ( BGA265A ) to be T144 ( 1280\*1024/60HZ ) and P105 of full white screen. Test if the white-balance value is within the specs. Please follow the steps below to adjust if it is beyond the specs.
4. Cut the power. Then press MENU key and re-plug power cable at the same time to enter into the factory mode. See the following pictures.



Select "F", then Select AUTO LEVEL item.



5. Test white-balance again after Auto Level. Adjustment with hand is necessary if it is beyond the specs.
6. Select 7x00 item to adjust cool color-temperature and select 6x00 to adjust warm color- temperature. It can reach to the best effect through adjusting R/G/B value if it inclines to green or blue.

7. Select Exit to the upper menu after completing the adjustment. Then press POWER OFF to exit and save it.

### 3) Steps for writing DDC :

1. Employ PC, and connect the DDC-writing instrument and the instrument that is ready for writing into DDC to the power of 12V. Connect the signal cable of the latter to D-USB or DVI of DDC-writing instrument (The data-writing of monitor needs transfer-interface) and link the DDC-writing instrument with PC through printer interface. (See the schematic picture below)



(Connection for VGA)



(Connection for DVI)

2. Seek the document with the expanded name of **.BAT** in DDC file of this model. It appears the indication of " Input Serial No. : " after dual-click the document to be ready for DDC-writing.
3. Input the serial number of the product (For instance: AOC LM725 is 13 bits), and then press ENTER to start writing
4. Check the indication of DDC-writing program at the end. When you see the picture as the schematic picture above, the " Data compare OK!" Means being written well and that's the end. Please check if the Manufacturer Name, Vendor Assigned Code, Monitor Name, Serial Number, Week of Manufacture, Year of Manufacture are right. It will appear " Data compare error! " To indicate failure if the DDC-writing doesn't perform well. Please check the power resource and the connection of the signal cable, then return to step 3 by pressing ENTER and re-do it.
5. You can exit the program by pressing Ctrl plus C, and then cut the signal cable and the power.
6. The following picture is taking AOC LM725 EDID for example.



```

Manufacturer Name : AOC
Product Code      : A725
Model Name       : LN725

Week of Manufacture : 22
Year of Manufacture : 2005
Video i/p definition : Analog
Checksum         : 6B

EEROM data table :
00 FF FF FF FF FF FF 00 05 E3 25 A7 01 00 00 00
16 0F 01 03 68 22 1B 78 2A 36 AD A2 59 4C 97 24
17 50 56 DF EF 00 01 00 01 01 01 01 01 01 01
01 01 01 01 01 01 BC 34 00 98 51 00 2A 40 10 90
13 00 54 0E 11 00 00 1E 00 00 00 FF 00 31 32 33
35 35 4A 41 30 30 30 30 30 31 00 00 00 FD 00 37
4B 1E 53 0E 00 0A 20 20 20 20 20 20 00 00 FC
00 4C 4D 37 32 35 0A 20 20 20 20 20 20 00 6B

data compare OK !
    
```

Notes:

1. Make sure the system time of PC is in accordance with the real time before writing.
2. The schematic picture is just as an example for description; the exact content of the DDC is dependent on the serial number of the BARCORD of this model.
3. Data DDC-writing needs a transfer interface.

Instruction : DDC-writing needs 4 files:

1. Barcode.txt (Supply Barcode length and flow number)
2. \*.EXE (DDC-writing program)
3. WR.bat (Group order file for cycling utilization of \*.EXE, and dual-click this file when perform DDC-writing)
4. W.dat (The content with 128 bits of DDC)

**12. BOM List**

**T76CM5HKA2DFNP**

Location	Part No.	Description
	011G6080 1	SPACER SUPPORT
	015G6261 1	BRACKET
	023G3178700 3A	logo
	026G 800700 6A	S/N LABEL
	033G4884ASN L	BUTTON FUNC
	033G4885 VH L	BUTTON RELEASE
	034G1611AVH B	BEZEL
	034G1612 VH B 30	BACK COVER
	040G 581700 3A6813	CARTON LABEL
	044G3231 12 A	EVA WASHER
	044G3586 3EPE	EPE
	044G3586BRO 2	PAPER-BLOCKED
	044G3770BRO 1	PAPER-BLOCKED
	044G6000 4 6B	PAPER BOARD
	044G600210A	PAPER BOARD
	044G9003 71	CORNER PAPER
	044G9003147	CORNER PAPER
	044GSLIP10018A	PLASTIC SLIP SHEET
	045G 88606 8	PE BAG FOR BASE
	045G 88607DE8	PE BAG FOR MONITOR
	052G 1186	SMALL TAPE
	052G6020 2DE9	FILM PROTECT
	052G6022 1500	SMALL TAPE
	052G6025 11848	MYLAR FOR POWER BOARD
	052G6025 11923	MYLAR FOR SEFETY
	085G 702 1	SHIELD WIRE
	085G 703 1	SHIELD LAMP
E089A	089G 728LAA 2D	SIGNAL CABLE
E089B	089G402A18NISD	POWER CORD
	0M1G 330 4128	SCREW M3X4
	0M1G1740 6128	SCREW
	0M1G2940 10225	SCREW
	0M1G3030 4125	SCREW
	0M1G3030 5125	SCREW
	0Q1G6019 1	SCREW
	0Q1G6019 1	SCREW

	705G 780 87 D5	CN901 ASS'Y
	705G780KM34 06	MAIN FRAME ASS'Y
	750GLC70A7Q43Z D	CPT 3A3 ZBD PANEL
	CBPC780KC4DLP	MAIN BOARD VER:A00,V6C08
	KEPC786KF2P	KEY BOARD
	PW1742CPD2PC	POWER BOARD
	Q40G 17N700 7A	RATING LABEL
	Q41G780070050A	qag for E177FP
	Q41G780070057A	PIG FOR E177FP DAO
	Q44G3770 3	EPS(L)
	Q44G3770 4	EPS(R)
	Q44G3770700 4A	CARTON
	Q70G1700700 5A	CD MANUAL FOR E177FP
E095	S95G80183080	LVDS ASS'Y
	087G 501 14 RF	AC SOCKET
	095G 900595	WIRE
	095G8021 3518	WIRE HARNESS
	096G 29 6	H.S. TUBE
	015G8185 1	HOLDER BRACKET R
	015G8186 1	HOLDER BRACKET L
	015G8187 4	MAIN FRAME
	019G 588 3	SPRING -HOLDER
	020G 027 2	STAND HOLDER
	0M1G 130 4 47	SCREW
	012G6206 1	PORON
	015G8190 1 B	VESA-PLATE
	034G1614 VH 1B	COVER_VESA
	034G1615 SN B	RISER FRONT
	034G1616 VH B	PLATE_REARCOVER
	0M1G 130 6125	SCREW
	0M1G 130 8120	SCREW
	0M1G 140 8225	SCREW M3X8
	0Q1G 130 5120	SCREW 3*5mm
	0Q1G 130 8 47	SCREW
	Q15G8188 1 C	BASE BKT
	Q20G 030 1 C	STAND DIE CAST
	Q34G1617 PUA1B 20	BASE
M037	S37G5353	hinge ass'y
CN403	033G8019 8C H	CONNTEETER

CN701	033G8027 12	WAFER 2*6P 2.0MM R/A
CN101	033G8043 24 H	CONNECTER
	040G 457624 1B	LABEL-CPU
	040G 45762412B	CBPC LABEL
C702	067G405D4797PV	ELCAP 4.7UF M 50V
CN405	088G 35315F H	D-SUB 15PIN
X401	093G 22 53	CRYSTAL 14.318MHzHC-49US
	AIC780KC4DLP	MAIN BOARD
	052G6022 20	SMALL TAPE
CN1	089G176F 8513	FFC CABLE HF
	012G6078 1	PORON INVERTER
CN201	033G8021 2D AC	CONN.2P R/A 87210-0236 DIP BY
CN202	033G8021 2D AC	CONN.2P R/A 87210-0236 DIP BY
CN203	033G8021 2D AC	CONN.2P R/A 87210-0236 DIP BY
CN204	033G8021 2D AC	CONN.2P R/A 87210-0236 DIP BY
CN901	033G8029 3A H	B2P3S-VH
	040G 45762420A	LABEL 25x6mm
P051	051G 6 4503	RTV
	052G6025 11935	MYLAR FOR PANEL
IC902	056G 139 3A	PC123Y22FZOF
Q207	057G 761 7	KTD1691P
Q206	057G 761 7	KTD1691P
NR901	061G 58080 WT	8 OHM NCT
R908	061G152M10458G6267	100K OHM 5% 2W
R918	061G152M398 64	0.39 OHM 2W
C903	063G 107474 HS	0.47UF +-20% 275VAC
C221	063G211J334 AB	0.33UF 5% 160V R75 BY ARCO
C211	065G 3J1206ET	12PF 5% SL 3KV TDK
C214	065G 3J1206ET	12PF 5% SL 3KV TDK
C212	065G 3J2206ET	22PF 5% SL 3KV TDK
C213	065G 3J2706ET	27PFJ 3KV SL
C902	065G305M2222BP	2200PF +-20%
C901	065G305M2222BP	2200PF +-20%
C900	065G306M4722BP	4700PF +-20% 400VAC
C931	067G215L102 4R	LOW E.S.R 1000UF +/-20% 25V
C924	067G215L102 4R	LOW E.S.R 1000UF +/-20% 25V
C923	067G215L102 4R	LOW E.S.R 1000UF +/-20% 25V
C925	067G215L471 4R	OW E.S.R 470UF +/-20% 25V
C203	067G215L471 4R	OW E.S.R 470UF +/-20% 25V

C926	067G215Y4713RV	LOW E.S.R 470UF +-20% 16V
C904	067G305T10115H	ELCAP 105 100UF M 450V
L904	073G 253 91 H	CHOKE COIL
L903	073G 253 91 H	CHOKE COIL
L904	073G 253 91 T	CHOKE
L201	073G 253515 Y	CHOKE
L901	073L 174 50 HH	LINE FITER
PT202	080GL17T 28 YS	X'FMR YSTDA500101G
PT201	080GL17T 28 YS	X'FMR YSTDA500101G
DB901	093G 50460 13	BRKDGE KBP206G 2A 600V
D901	093G 6026W52T	FR107
CN902	095G8014 12523	WIRE
	705G 780 57 D1	Q901 ASS'Y
	705G 780 57 D3	Q203 ASS'Y
	705G 780 93 D1	D921/D922 ASS'Y
	705L 780 93 26	D210/D903/D923/D924 ASS'Y
	033F206H24JWT0	A2006H00-2*12PHK
	033F303SM24K30	PK2407P30/TD00-30LH
	033F206T2JWTOP	A2006TOP-2
	033F303TTD1	TD00-T 2407PS-00
	002F0605100	SCREW NUTS M6.0*P1.0 白色
	004F0612051 00	WASHER
	004F0612052 00	METAL WASHER
	004F061210M 00	METAL WASHERS12.0*6.03*4.70H
	004F061210T 00	METAL WASHERS12.0*8.00*1.6H
	004F061210T 01	METAL WASHERS12.0*4.72*1.0T
	004F061615P 00	METAL WASHERS12.0*4.72*1.0T
	015F 535310	BRACKET
	020F 535330	DIECASTING
	028F0623090	SHAFT
U401	056G 562105	TSUM16AL-LF
U701	056G 585 4A	AP1117E33LA
U404	056G1133 34	M24C02-WMN6TP
U402	056G1133 74CD5	SST25VF010A-33-4C-SAE
Q402	057G 417 12 T	KEC 2N3904S-RTK/PS
Q701	057G 417 12 T	KEC 2N3904S-RTK/PS
Q703	057G 417 12 T	KEC 2N3904S-RTK/PS
Q706	057G 417 12 T	KEC 2N3904S-RTK/PS
Q403	057G 417 13 T	KEC 2N3906S-RTK/PS

Q401	057G 417 13 T	KEC 2N3906S-RTK/PS
Q702	057G 417 17 T	PZT2907A
Q704	057G 763 1A	AP2305N
FB411	061L0603000	RST SM 0603 JUMP MAX 0R05 R
FB410	061L0603000	RST SM 0603 JUMP MAX 0R05 R
R721	061L0603000	RST SM 0603 JUMP MAX 0R05 R
FB412	061L0603000	RST SM 0603 JUMP MAX 0R05 R
R441	061L0603101	CHIPR 100 OHM +-5% 1/16W
R442	061L0603101	CHIPR 100 OHM +-5% 1/16W
R443	061L0603101	CHIPR 100 OHM +-5% 1/16W
R445	061L0603101	CHIPR 100 OHM +-5% 1/16W
R478	061L0603101	CHIPR 100 OHM +-5% 1/16W
R704	061L0603101	CHIPR 100 OHM +-5% 1/16W
R454	061L0603101	CHIPR 100 OHM +-5% 1/16W
R453	061L0603101	CHIPR 100 OHM +-5% 1/16W
R477	061L0603102	CHIPR 1K OHM +-5% 1/16W
R476	061L0603102	CHIPR 1K OHM +-5% 1/16W
R475	061L0603102	CHIPR 1K OHM +-5% 1/16W
R474	061L0603102	CHIPR 1K OHM +-5% 1/16W
R701	061L0603102	CHIPR 1K OHM +-5% 1/16W
R455	061L0603102	CHIPR 1K OHM +-5% 1/16W
R447	061L0603102	CHIPR 1K OHM +-5% 1/16W
R446	061L0603102	CHIPR 1K OHM +-5% 1/16W
R415	061L0603103	CHIPR 10K OHM +-5% 1/16W
R416	061L0603103	CHIPR 10K OHM +-5% 1/16W
R444	061L0603103	CHIPR 10K OHM +-5% 1/16W
R452	061L0603103	CHIPR 10K OHM +-5% 1/16W
R479	061L0603103	CHIPR 10K OHM +-5% 1/16W
R727	061L0603103	CHIPR 10K OHM +-5% 1/16W
R717	061L0603103	CHIPR 10K OHM +-5% 1/16W
R714	061L0603103	CHIPR 10K OHM +-5% 1/16W
R711	061L0603103	CHIPR 10K OHM +-5% 1/16W
R708	061L0603103	CHIPR 10K OHM +-5% 1/16W
R484	061L0603103	CHIPR 10K OHM +-5% 1/16W
R483	061L0603103	CHIPR 10K OHM +-5% 1/16W
R481	061L0603103	CHIPR 10K OHM +-5% 1/16W
R482	061L0603103	CHIPR 10K OHM +-5% 1/16W
R413	061L0603103	CHIPR 10K OHM +-5% 1/16W
R408	061L0603103	CHIPR 10K OHM +-5% 1/16W

R406	061L0603103	CHIPR 10K OHM +-5% 1/16W
R404	061L0603103	CHIPR 10K OHM +-5% 1/16W
R703	061L0603202	CHIPR 2K OHM+-5% 1/16W
R405	061L0603203	CHIPR 20K OHM+-5% 1/10W
R448	061L0603222	CHIPR 2.2K OHM+-5% 1/16W
R449	061L0603222	CHIPR 2.2K OHM+-5% 1/16W
R403	061L0603391	CHIP 390 OHM 1/10W
R409	061L0603471	CHIPR 470 OHM+-5% 1/16W
R414	061L0603471	CHIPR 470 OHM+-5% 1/16W
R419	061L0603471	CHIPR 470 OHM+-5% 1/16W
R421	061L0603471	CHIPR 470 OHM+-5% 1/16W
R422	061L0603472	CHIPR 4.7K OHM +-5% 1/16W
R423	061L0603472	CHIPR 4.7K OHM +-5% 1/16W
R705	061L0603472	CHIPR 4.7K OHM +-5% 1/16W
R707	061L0603472	CHIPR 4.7K OHM +-5% 1/16W
R712	061L0603472	CHIPR 4.7K OHM +-5% 1/16W
R725	061L0603472	CHIPR 4.7K OHM +-5% 1/16W
R450	061L0603472	CHIPR 4.7K OHM +-5% 1/16W
R451	061L0603472	CHIPR 4.7K OHM +-5% 1/16W
R702	061L0603510	CHIP 51 OHM 5% 1/10W
R723	061L0603513	CHIP 51K OHM
R436	061L0603560	CHIPR 56 OHM +-5% 1/10W
R435	061L0603560	CHIPR 56 OHM +-5% 1/10W
R434	061L0603560	CHIPR 56 OHM +-5% 1/10W
R440	061L0603750 9F	75OHM 1% 1/10W
R439	061L0603750 9F	75OHM 1% 1/10W
R438	061L0603750 9F	75OHM 1% 1/10W
C413	065G0603104 12	CER2 0603 X7R 16V 100N PM10 R
C414	065G0603104 12	CER2 0603 X7R 16V 100N PM10 R
C415	065G0603104 12	CER2 0603 X7R 16V 100N PM10 R
C416	065G0603104 12	CER2 0603 X7R 16V 100N PM10 R
C419	065G0603104 12	CER2 0603 X7R 16V 100N PM10 R
C422	065G0603104 12	CER2 0603 X7R 16V 100N PM10 R
C429	065G0603104 12	CER2 0603 X7R 16V 100N PM10 R
C430	065G0603104 12	CER2 0603 X7R 16V 100N PM10 R
C439	065G0603104 12	CER2 0603 X7R 16V 100N PM10 R
C709	065G0603104 12	CER2 0603 X7R 16V 100N PM10 R
C708	065G0603104 12	CER2 0603 X7R 16V 100N PM10 R
C445	065G0603104 12	CER2 0603 X7R 16V 100N PM10 R

C444	065G0603104 12	CER2 0603 X7R 16V 100N PM10 R
C718	065G0603104 12	CER2 0603 X7R 16V 100N PM10 R
C715	065G0603104 12	CER2 0603 X7R 16V 100N PM10 R
C714	065G0603104 12	CER2 0603 X7R 16V 100N PM10 R
C713	065G0603104 12	CER2 0603 X7R 16V 100N PM10 R
C440	065G0603104 12	CER2 0603 X7R 16V 100N PM10 R
C441	065G0603104 12	CER2 0603 X7R 16V 100N PM10 R
C412	065G0603104 12	CER2 0603 X7R 16V 100N PM10 R
C401	065G0603104 12	CER2 0603 X7R 16V 100N PM10 R
C402	065G0603104 12	CER2 0603 X7R 16V 100N PM10 R
C404	065G0603104 12	CER2 0603 X7R 16V 100N PM10 R
C405	065G0603104 12	CER2 0603 X7R 16V 100N PM10 R
C406	065G0603104 12	CER2 0603 X7R 16V 100N PM10 R
C407	065G0603104 12	CER2 0603 X7R 16V 100N PM10 R
C409	065G0603104 12	CER2 0603 X7R 16V 100N PM10 R
C410	065G0603104 12	CER2 0603 X7R 16V 100N PM10 R
C411	065G0603104 12	CER2 0603 X7R 16V 100N PM10 R
C421	065G0603220 31	CER1 0603 NP0 50V 22P PM5 R
C423	065G0603220 31	CER1 0603 NP0 50V 22P PM5 R
C442	065G0603220 31	CER1 0603 NP0 50V 22P PM5 R
C443	065G0603220 31	CER1 0603 NP0 50V 22P PM5 R
C417	065G0603224 12	CHIP 0.22UF +-10% 16V X7R
C426	065G0603331 32	CHIP 330PF 50V X7R
C431	065G0603331 32	CHIP 330PF 50V X7R
C428	065G0603331 32	CHIP 330PF 50V X7R
C427	065G0603331 32	CHIP 330PF 50V X7R
C432	065G0603473 32	CHIP 0.047UF 50V X7R
C433	065G0603473 32	CHIP 0.047UF 50V X7R
C434	065G0603473 32	CHIP 0.047UF 50V X7R
C436	065G0603473 32	CHIP 0.047UF 50V X7R
C437	065G0603473 32	CHIP 0.047UF 50V X7R
C438	065G0603473 32	CHIP 0.047UF 50V X7R
FB406	071G 56Z601	CHIP BEAD 600 OHM 0805
FB405	071G 56Z601	CHIP BEAD 600 OHM 0805
FB404	071G 56Z601	CHIP BEAD 600 OHM 0805
FB403	071G 56Z601	CHIP BEAD 600 OHM 0805
FB402	071G 56Z601	CHIP BEAD 600 OHM 0805
FB401	071G 56Z601	CHIP BEAD 600 OHM 0805
FB409	071G 59B121	TB160808B



D415	093G 39147SEM	ZMM5V6ST
D413	093G 39147SEM	ZMM5V6ST
D412	093G 39147SEM	ZMM5V6ST
D411	093G 39147SEM	ZMM5V6ST
D410	093G 39147SEM	ZMM5V6ST
D409	093G 39147SEM	ZMM5V6ST
D408	093G 39147SEM	ZMM5V6ST
D406	093G 39147SEM	ZMM5V6ST
D407	093G 60230	BAT54C(L43)
D702	093G 6432P	LL4148
D701	093G 6432P	LL4148
D414	093G 6432P	LL4148
D405	093G 6433P	BAV99
D404	093G 6433P	BAV99
D403	093G 6433P	BAV99
D704	093G2004 2	SR24/PANJIT-SMT
PCB	715G1565 1 2	MAIN BOARD PCB
C02	065G0603104 12	CER2 0603 X7R 16V 100N PM10 R
C01	065G0603104 12	CER2 0603 X7R 16V 100N PM10 R
SW04	077G 605 1 AL GP	SMD SWITCH
SW03	077G 605 1 AL GP	SMD SWITCH
SW02	077G 605 1 AL GP	SMD SWITCH
SW01	077G 605 1 AL GP	SMD SWITCH
LED01	081G 14501 KT	CHIP LED
ZD06	093G 39P599 T	MM3Z5V6B
ZD05	093G 39P599 T	MM3Z5V6B
ZD04	093G 39P599 T	MM3Z5V6B
ZD03	093G 39P599 T	MM3Z5V6B
ZD02	093G 39P599 T	MM3Z5V6B
ZD01	093G 39P599 T	MM3Z5V6B
	715G1564 3	KEY BOARD PCB
Q901	057G 667 22	FQPF8N80C
	090G6240 1	HEAT SINK
	0M1G1730 8128	SCREW M3x8
	015G6284 1	PLATE
Q203	057G 763 12	AOU401 BY AOS
	090G6296 1	HEAT SINK
	0M1G 330 4128	SCREW M3X4
	090G6240 2	HEAT SINK

D921	093G 60239	FME-210B T0-220
D922	093G1506 2	FMW-2156
	0M1G1730 8128	SCREW M3x8
D210	093G 6432P	LL4148
D903	093G 6432P	LL4148
D923	093G 6432P	LL4148
D924	093G 6432P	LL4148
IC901	056G 379 54	NCP1203D60R2G BY ON
IC201	056G 608 1	TL1451ACD
Q204	057G 417 12 T	KEC 2N3904S-RTK/PS
Q205	057G 417 13 T	KEC 2N3906S-RTK/PS
Q202	057G 760 4A	DTA144WN3/S SOT-23
Q201	057G 760 5A	DTC 144WN3/S SOT-23
R208	061L0805000	CHIPR 00HM +-5% 1/10W
R209	061L0805000	CHIPR 00HM +-5% 1/10W
R207	061L0805100 2F	CHIP 10K OHM 1/8W 1%
R912	061L0805101	CHIPR 100 OHM +-5% 1/10W
R924	061L0805102	CHIPR 1K OHM +-5% 1/10W
R931	061L0805102	CHIPR 1K OHM +-5% 1/10W
R932	061L0805102	CHIPR 1K OHM +-5% 1/10W
R917	061L0805103	CHIPR 10K OHM +-5% 1/10W
R214	061L0805123	CHIP 12KOHM 1/8W
R231	061L0805123	CHIP 12KOHM 1/8W
R206	061L0805123	CHIP 12KOHM 1/8W
R205	061L0805163	CHIP 16KOHM 1/10W
R919	061L0805203	CHIPR 20KOHM +-5% 1/8W
R915	061L0805220	CHIP 22 OHM 5% 0805 1/8W
R909	061L0805220	CHIP 22 OHM 5% 0805 1/8W
R202	061L0805221	CHIPR 220 OHM +-5% 1/8W
R916	061L0805221	CHIPR 220 OHM +-5% 1/8W
R910	061L0805222	CHIP 2.2KOHM 5% 0805 1/8W
R933	061L0805240 1F	CHIPR 2.4KOHM +-1% 1/8W
R203	061L0805240 1F	CHIPR 2.4KOHM +-1% 1/8W
R201	061L0805240 1F	CHIPR 2.4KOHM +-1% 1/8W
R929	061L0805330 2F	CHIP 33KOHM 1/8W 1%
R930	061L0805360 1F	CHIP 3.6KOHM 1/8W 1%
R911	061L0805362	CHIP 306KOHM 1/8W
R230	061L0805471	CHIPR 470 OHM+-5% 1/10W
R204	061L0805471	CHIPR 470 OHM+-5% 1/10W

R914	061L0805472	CHIRP 4.7K OHM +-5% 1/10W
R213	061L0805472	CHIRP 4.7K OHM +-5% 1/10W
R210	061L0805473	CHIPR 47K OHM +-5% 1/8W
R232	061L0805510 2F	CHIP 51K OHM 1/10W
R212	061L0805623	CHIPR 62K OHM +-5% 1/10W
R229	061L0805681	680 OHM 1/10W
R913	061L0805753	75K 1/8W
F902	061L1206000	CHIPR 0 OHM +-5% 1/8W
R925	061L1206000	CHIPR 0 OHM +-5% 1/8W
R903	061L1206332	CHIP 3.3K OHM 5% 1/8W
R904	061L1206332	CHIP 3.3K OHM 5% 1/8W
R905	061L1206332	CHIP 3.3K OHM 5% 1/8W
R900	061L1206334	330K 1/4W
R901	061L1206334	330K 1/4W
R902	061L1206334	330K 1/4W
C912	065G0805102 32	CHIP 1000P 50VX7R 0805
C204	065G0805104 22	0.1UF +-10% 25V X7R 080
C202	065G0805104 22	0.1UF +-10% 25V X7R 080
C201	065G0805104 22	0.1UF +-10% 25V X7R 080
C929	065G0805104 32	CHIP 0.1U 50V X7R
C928	065G0805104 32	CHIP 0.1U 50V X7R
C927	065G0805104 32	CHIP 0.1U 50V X7R
C907	065G0805104 32	CHIP 0.1U 50V X7R
C208	065G0805105 22	CHIP 1UF 25V X7R 0805
C223	065G0805105 22	CHIP 1UF 25V X7R 0805
C210	065G0805105 22 GP	CHIP 1UF 25V X7R 0805
C205	065G0805105 22 GP	CHIP 1UF 25V X7R 0805
C207	065G0805331 31	CHIP 330pF 50V NPO
C911	065G0805471 31	CHIP 470PF 50V NPO
C932	065G0805474 22	CHIP 0.47UF 25V X7R 0805
C222	065G0805474 22	CHIP 0.47UF 25V X7R 0805
D201	093G 60264	B340A
D924	093G 6432P	LL4148
D923	093G 6432P	LL4148
D903	093G 6432P	LL4148
D210	093G 6432P	LL4148
ZD201	093G 39S 8 T	RLZ11B LLDS
ZD902	093G 39S 25 T	RLZ5.1B LLDS
ZD905	093G 39S 25 T	RLZ5.1B LLDS

ZD903	093G 39S 38 T	PTZ 9.1B
ZD904	093G 39S 40 T	RLZ 13B LLDS
ZD901	093G 39S 44 T	RLZ18B LLDS
	PW1742CPD2AIP	POWER BOARD
CN901	006G 31500	EYELET
C904	006G 31502	1.5MM RIVET
L902	006G 31502	1.5MM RIVET
Q901	006G 31502	1.5MM RIVET
T901	006G 31502	1.5MM RIVET
PT201	006G 31502	1.5MM RIVET
PT202	006G 31502	1.5MM RIVET
IC903	056G 158 10 T	IC AZ431AZ-AE1 TO-92 BY AAC
Q903	057G 419 PP T	2PC945P
Q902	057G 420 PP T	2PA733P
R225	061G 17210252T	1K OHM 5% 1/4W
R226	061G 17210252T	1K OHM 5% 1/4W
R227	061G 17210252T	1K OHM 5% 1/4W
R228	061G 17210252T	1K OHM 5% 1/4W
R224	061G 17218252T	1.8KOHM 5% 1/4W
R223	061G 17218252T	1.8KOHM 5% 1/4W
R222	061G 17218252T	1.8KOHM 5% 1/4W
R221	061G 17218252T	1.8KOHM 5% 1/4W
R923	061G 17256152T	560 OHM 5% 1/4W
R921	061G175L47052T	47OHM +-5% 1/2W
R922	061G175L47052T	47OHM +-5% 1/2W
C905	065G 2K152 1T6921	1.5NF/2KV Y5P +-10%
C922	065G517K102 5T	1000PF 10% Y5P 500V
C921	065G517K102 5T	1000PF 10% Y5P 500V
C906	067G 2151014KT	EC 105 100UF M 25V
C909	067G 3054704KT	47UF
J914	071G 55 9 T	FERRITE BEAD
F901	084G 56 1	FUSE 2A 250V WICKMANN
D202	093G 64 1152T	1N4148
D203	093G 64 1152T	1N4148
D204	093G 64 1152T	1N4148
D205	093G 64 1152T	1N4148
D206	093G 64 1152T	1N4148
D207	093G 64 1152T	1N4148
D208	093G 64 1152T	1N4148

D209	093G 64 1152T	1N4148
D902	093G1020 752T	UF4003
	715G1492 2 FR	PCB

**T76CM9HJA2DLNCP**

Location	Part No.	Description
	011G6080 1	SPACER SUPPORT
	015G6261 1	BRACKET
V000	015G8146 1	KEVSINGTON BRACKET
	023G3178700 3A	logo
	026G 800700 6A	S/N LABEL
	033G4884ASN L	BUTTON FUNC
	033G4885 VH L	BUTTON RELEASE
	034G1611AVH B	BEZEL
	034G1612 VH B 30	REAR COVER
V000	040G 152509	RECYCLE LABEL
V000	040G 152512	RECYCLE LABEL
	040G 581700 3A6813	CARTON LABEL
	044G3231 12 A	EVA WASHER
	044G3586 3EPE	EPE
	044G3586BRO 2	PAPER-BLOCKED
	044G3770BRO 1	PAPER-BLOCKED
	045G 88606 8	PE BAG FOR BASE
	045G 88607DE8	PE BAG FOR MONITOR
	052G 1186	SMALL TAPE
	052G6020 2DE9	FILM PROTECT
	052G6022 1500	SMALL TAPE
	052G6025 11848	MYLAR FOR POWER BOARD
	052G6025 11923	MYLAR FOR SEFETY
	085G 702 1	SHIELD WIRE
	085G 703 1	SHIELD LAMP
E089A	089G 728GAA 2D	SIGNAL CABLE
E089A	089G 728LAA 2D	SIGNAL CABLE
	089G401A18NHRA	POWER CORD
E095	095G8018 30 80	LVDS HARNESS
	0M1G 330 4128 CR3	SCREW
	0M1G1740 6128 CR3	SCREW
	0M1G2940 10225 CR3	SCREW
	0M1G3030 4125	SCREW

	0M1G3030 5125	SCREW
	0Q1G6019 1	SCREW
	0Q1G6019 1	SCREW
	705G 780 87 D5	CN901 ASS'Y
	087G 501 14 RF	AC SOCKET
	095G 900595	WIRE
	095G8021 3518	WIRE HARNESS
	096G 29 6	H.S. TUBE
	705G780KM34 06	MAIN FRAME ASS'Y
	015G8185 1	HOLDER BRACKET R
	015G8186 1	HOLDER BRACKET L
	015G8187 4	MAIN FRAME
	019G 588 3	SPRING -HOLDER
	020G 027 2	STAND HOLDER
	0M1G 130 4 47 CR3	SCREW
	S15G81874	FP ASS'Y
	002F6570110 M4	RIVET
	002F6450138 00	RIVET
	002F6155235 M3	RIVET
	002F6155210 M3	RIVET
	002F6170100 M4	RIVET
	002F6155200 M3	RIVET
	705G780KP34 47	stand ASS'Y
	012G6206 1	PORON
	015G8190 1 B	VESA-PLATE
	034G1614 VH 1B	COVER_VESA
	034G1615 SN B	RISER FRONT
	034G1616 VH B	PLATE_REARCOVER
	0M1G 130 6125	SCREW
	0M1G 130 8120	SCREW
	0M1G 140 8225 CR3	SCREW
	0Q1G 130 5120	SCREW 3*5mm
	0Q1G 130 8 47 CR3	SCREW
	Q15G8188 1 D	BASE BKT
	Q20G 030 1 D	DIECASTING
	Q34G1617 PUA1B 20	BASE
M037	Q37G 535 3	higne ass'y
M037	S37G5353	hinge ass'y
	002F0605100	SCREW NUTS M6.0*P1.0 white

	004F0612051 00	WASHER
	004F0612052 00	METAL WASHER
	004F061210M 00	METAL WASHERS12.0*6.03*4.70H
	004F061210T 00	METAL WASHERS12.0*8.00*1.6H
	004F061210T 01	METAL WASHERS12.0*4.72*1.0T
	004F061615P 00	METAL WASHERS12.0*4.72*1.0T
	015F 535310	BRACKET
	019F18173L1	SPRINGS black
	019F18173R1	SPRINGS black
	020F 535330	DIECASTING
	028F0623090	SHAFT
	750GLC70A7Q42D000D	PANEL LCD 17" EA07Q 3A3 D DELL CPT
	750GLC70A7Q43D000D	PANEL LCD 17" EA07Q 3A3 D DELL CPT
	CBPC780KC4DLP	MAIN BOARD VER:A00,V6C08
CN403	033G8019 8C H	CONNEETER
CN701	033G8027 12	WAFER 2*6P 2.0MM R/A
CN101	033G8043 24 H	CONNECTER
	040G 457624 1B	LABEL-CPU
	040G 45762412B	CBPC LABEL
C702	067G 2154797RV	EL CAP 4.7UF M 50V YXG
C702	067G405D4797PV	ELCAP 4.7UF M 50V
C702	067G405V479 7P	EC 105 4.7UF M 50V
CN405	088G 35315F H	D-SUB 15PIN
CN405	088G 35315F HJ	SOC SUBD H 15P F
X401	093G 22 53	CRYSTAL 14.318MHzHC-49US
	AIC780KC4DLP	MAIN BOARD
U401	056G 562105	TSUM16AL-LF
U701	056G 585 4	AIC1117-33PY ANALOG
U701	056G 585 4A	AP1117E33LA
U404	056G1133 34	M24C02-WMN6TP
U402	056G1133 74CD5	SST25VF010A-33-4C-SAE
Q706	057G 417 4	PMBS3904/PHILIPS-SMT(04)
Q703	057G 417 4	PMBS3904/PHILIPS-SMT(04)
Q701	057G 417 4	PMBS3904/PHILIPS-SMT(04)
Q402	057G 417 4	PMBS3904/PHILIPS-SMT(04)
Q403	057G 417 6	PMBS3906/PHILIPS-SMT(06)
Q401	057G 417 6	PMBS3906/PHILIPS-SMT(06)
Q402	057G 417 12 T	KEC 2N3904S-RTK/PS
Q701	057G 417 12 T	KEC 2N3904S-RTK/PS

Q703	057G 417 12 T	KEC 2N3904S-RTK/PS
Q706	057G 417 12 T	KEC 2N3904S-RTK/PS
Q403	057G 417 13 T	KEC 2N3906S-RTK/PS
Q401	057G 417 13 T	KEC 2N3906S-RTK/PS
Q702	057G 417 17 T	PZT2907A
Q702	057G 417 23 T	TRA PZT2907AT1G SOT-223
Q702	057G 41717B T	tra PZT2907A PHILIPS
Q704	057G 763 1	A03401 SOT23 BY AOS(A1)
Q704	057G 763 1A	AP2305N
FB411	061G0603000	RST CHIPR 0 OHM +-5% 1/10W
FB410	061G0603000	RST CHIPR 0 OHM +-5% 1/10W
FB412	061G0603000	RST CHIPR 0 OHM +-5% 1/10W
R721	061G0603000	RST CHIPR 0 OHM +-5% 1/10W
R441	061G0603101	RST CHIPR 100 OHM +-5% 1/10W
R442	061G0603101	RST CHIPR 100 OHM +-5% 1/10W
R443	061G0603101	RST CHIPR 100 OHM +-5% 1/10W
R445	061G0603101	RST CHIPR 100 OHM +-5% 1/10W
R478	061G0603101	RST CHIPR 100 OHM +-5% 1/10W
R704	061G0603101	RST CHIPR 100 OHM +-5% 1/10W
R454	061G0603101	RST CHIPR 100 OHM +-5% 1/10W
R453	061G0603101	RST CHIPR 100 OHM +-5% 1/10W
R477	061G0603102	RST CHIP 1K 1/10W 5%
R476	061G0603102	RST CHIP 1K 1/10W 5%
R475	061G0603102	RST CHIP 1K 1/10W 5%
R474	061G0603102	RST CHIP 1K 1/10W 5%
R701	061G0603102	RST CHIP 1K 1/10W 5%
R455	061G0603102	RST CHIP 1K 1/10W 5%
R447	061G0603102	RST CHIP 1K 1/10W 5%
R446	061G0603102	RST CHIP 1K 1/10W 5%
R415	061G0603103	RST CHIPR 10 KOHM +-5% 1/10W
R416	061G0603103	RST CHIPR 10 KOHM +-5% 1/10W
R444	061G0603103	RST CHIPR 10 KOHM +-5% 1/10W
R452	061G0603103	RST CHIPR 10 KOHM +-5% 1/10W
R479	061G0603103	RST CHIPR 10 KOHM +-5% 1/10W
R727	061G0603103	RST CHIPR 10 KOHM +-5% 1/10W
R717	061G0603103	RST CHIPR 10 KOHM +-5% 1/10W
R714	061G0603103	RST CHIPR 10 KOHM +-5% 1/10W
R711	061G0603103	RST CHIPR 10 KOHM +-5% 1/10W
R708	061G0603103	RST CHIPR 10 KOHM +-5% 1/10W



R484	061G0603103	RST CHIPR 10 KOHM +-5% 1/10W
R483	061G0603103	RST CHIPR 10 KOHM +-5% 1/10W
R481	061G0603103	RST CHIPR 10 KOHM +-5% 1/10W
R482	061G0603103	RST CHIPR 10 KOHM +-5% 1/10W
R413	061G0603103	RST CHIPR 10 KOHM +-5% 1/10W
R408	061G0603103	RST CHIPR 10 KOHM +-5% 1/10W
R406	061G0603103	RST CHIPR 10 KOHM +-5% 1/10W
R404	061G0603103	RST CHIPR 10 KOHM +-5% 1/10W
R703	061G0603202	RST CHIPR 2 KOHM +-5% 1/10W
R405	061G0603203	RST CHIPR 20 KOHM +-5% 1/10W
R448	061G0603222	RST CHIPR 2.2 KOHM +-5% 1/10W
R449	061G0603222	RST CHIPR 2.2 KOHM +-5% 1/10W
R403	061G0603391	RST CHIPR 390 OHM +-5% 1/10W
R409	061G0603471	RST CHIPR 470 OHM +-5% 1/10W
R414	061G0603471	RST CHIPR 470 OHM +-5% 1/10W
R419	061G0603471	RST CHIPR 470 OHM +-5% 1/10W
R421	061G0603471	RST CHIPR 470 OHM +-5% 1/10W
R422	061G0603472	RST CHIPR 4.7KOHM +-5% 1/10W
R423	061G0603472	RST CHIPR 4.7KOHM +-5% 1/10W
R705	061G0603472	RST CHIPR 4.7KOHM +-5% 1/10W
R707	061G0603472	RST CHIPR 4.7KOHM +-5% 1/10W
R712	061G0603472	RST CHIPR 4.7KOHM +-5% 1/10W
R725	061G0603472	RST CHIPR 4.7KOHM +-5% 1/10W
R450	061G0603472	RST CHIPR 4.7KOHM +-5% 1/10W
R451	061G0603472	RST CHIPR 4.7KOHM +-5% 1/10W
R702	061G0603510	RST CHIPR 51 OHM +-5% 1/10W
R723	061G0603513	RST CHIPR 51 KOHM +-5% 1/10W
R436	061G0603560	RST CHIPR 56 OHM +-5% 1/10W
R435	061G0603560	RST CHIPR 56 OHM +-5% 1/10W
R434	061G0603560	RST CHIPR 56 OHM +-5% 1/10W
R440	061G0603750 9F	RST CHIPR 75 OHM +-1% 1/10W
R439	061G0603750 9F	RST CHIPR 75 OHM +-1% 1/10W
R438	061G0603750 9F	RST CHIPR 75 OHM +-1% 1/10W
C413	065G0603104 12	CER2 0603 X7R 16V 100N P
C414	065G0603104 12	CER2 0603 X7R 16V 100N P
C415	065G0603104 12	CER2 0603 X7R 16V 100N P
C416	065G0603104 12	CER2 0603 X7R 16V 100N P
C419	065G0603104 12	CER2 0603 X7R 16V 100N P
C422	065G0603104 12	CER2 0603 X7R 16V 100N P

C429	065G0603104 12	CER2 0603 X7R 16V 100N P
C430	065G0603104 12	CER2 0603 X7R 16V 100N P
C439	065G0603104 12	CER2 0603 X7R 16V 100N P
C709	065G0603104 12	CER2 0603 X7R 16V 100N P
C708	065G0603104 12	CER2 0603 X7R 16V 100N P
C445	065G0603104 12	CER2 0603 X7R 16V 100N P
C444	065G0603104 12	CER2 0603 X7R 16V 100N P
C718	065G0603104 12	CER2 0603 X7R 16V 100N P
C715	065G0603104 12	CER2 0603 X7R 16V 100N P
C714	065G0603104 12	CER2 0603 X7R 16V 100N P
C713	065G0603104 12	CER2 0603 X7R 16V 100N P
C440	065G0603104 12	CER2 0603 X7R 16V 100N P
C441	065G0603104 12	CER2 0603 X7R 16V 100N P
C412	065G0603104 12	CER2 0603 X7R 16V 100N P
C401	065G0603104 12	CER2 0603 X7R 16V 100N P
C402	065G0603104 12	CER2 0603 X7R 16V 100N P
C404	065G0603104 12	CER2 0603 X7R 16V 100N P
C405	065G0603104 12	CER2 0603 X7R 16V 100N P
C406	065G0603104 12	CER2 0603 X7R 16V 100N P
C407	065G0603104 12	CER2 0603 X7R 16V 100N P
C409	065G0603104 12	CER2 0603 X7R 16V 100N P
C410	065G0603104 12	CER2 0603 X7R 16V 100N P
C411	065G0603104 12	CER2 0603 X7R 16V 100N P
C421	065G0603220 31	CER1 0603 NP0 50V 22P PM
C423	065G0603220 31	CER1 0603 NP0 50V 22P PM
C442	065G0603220 31	CER1 0603 NP0 50V 22P PM
C443	065G0603220 31	CER1 0603 NP0 50V 22P PM
C417	065G0603224 12	CAP CHIP 0603 220N 16V X7R +/-10%
C426	065G0603331 32	CHIP 330PF 50V X7R
C431	065G0603331 32	CHIP 330PF 50V X7R
C428	065G0603331 32	CHIP 330PF 50V X7R
C427	065G0603331 32	CHIP 330PF 50V X7R
C432	065G0603473 32	CHIP 0.047UF 50V X7R
C433	065G0603473 32	CHIP 0.047UF 50V X7R
C434	065G0603473 32	CHIP 0.047UF 50V X7R
C436	065G0603473 32	CHIP 0.047UF 50V X7R
C437	065G0603473 32	CHIP 0.047UF 50V X7R
C438	065G0603473 32	CHIP 0.047UF 50V X7R
FB405	071G 56Z601	CHIP BEAD 600 OHM 0805

FB404	071G 56Z601	CHIP BEAD 600 OHM 0805
FB403	071G 56Z601	CHIP BEAD 600 OHM 0805
FB402	071G 56Z601	CHIP BEAD 600 OHM 0805
FB401	071G 56Z601	CHIP BEAD 600 OHM 0805
FB406	071G 56Z601	CHIP BEAD 600 OHM 0805
FB409	071G 59B121	TB160808B
D406	093G 39147SEM	ZMM5V6ST
D408	093G 39147SEM	ZMM5V6ST
D409	093G 39147SEM	ZMM5V6ST
D410	093G 39147SEM	ZMM5V6ST
D411	093G 39147SEM	ZMM5V6ST
D412	093G 39147SEM	ZMM5V6ST
D413	093G 39147SEM	ZMM5V6ST
D415	093G 39147SEM	ZMM5V6ST
D407	093G 60230	BAT54C(L43)
D407	093G 60505	DIO SIG SM BAT54C(PHSE)R
D702	093G 6432P	LL4148
D701	093G 6432P	LL4148
D414	093G 6432P	LL4148
D405	093G 6433P	BAV99
D404	093G 6433P	BAV99
D403	093G 6433P	BAV99
D704	093G2004 2	SR24/PANJIT-SMT
PCB	715G1565 1 2	MAIN BOARD PCB
	KEPC786KF2P	KEY BOARD
	052G6022 20	SMALL TAPE
CN1	089G176F 8513	FFC CABLE HF
CN1	089G176J 8513	FFC CABLE KOTL
CN1	089G176S 8513	FFC CABLE SHAEY YOUNG
C02	065G0603104 12	CER2 0603 X7R 16V 100N P
C01	065G0603104 12	CER2 0603 X7R 16V 100N P
SW04	077G 605 1 AL GP	SMD SWITCH
SW03	077G 605 1 AL GP	SMD SWITCH
SW02	077G 605 1 AL GP	SMD SWITCH
SW01	077G 605 1 AL GP	SMD SWITCH
LED01	081G 14501 GP	LED GPTD1210YGC3-HB GUANGPU
LED01	081G 14501 KT	CHIP LED
ZD06	093G 39P599 T	MM3Z5V6B
ZD05	093G 39P599 T	MM3Z5V6B

ZD04	093G 39P599 T	MM3Z5V6B
ZD03	093G 39P599 T	MM3Z5V6B
ZD02	093G 39P599 T	MM3Z5V6B
ZD01	093G 39P599 T	MM3Z5V6B
ZD04	093G 39S 34 T	UDZS5.6B
ZD03	093G 39S 34 T	UDZS5.6B
ZD02	093G 39S 34 T	UDZS5.6B
ZD01	093G 39S 34 T	UDZS5.6B
ZD05	093G 39S 34 T	UDZS5.6B
ZD06	093G 39S 34 T	UDZS5.6B
	715G1564 3	KEY BOARD PCB
	Q52G6022 28	TAPE
	PW1742CPD2PC	POWER BOARD
	012G6078 1	PORON INVERTER
CN204	033G8021 2D U	3.5mm WAFER
CN203	033G8021 2D U	3.5mm WAFER
CN202	033G8021 2D U	3.5mm WAFER
CN201	033G8021 2D U	3.5mm WAFER
CN204	033G8021 2D AC	CONN.2P R/A 87210-0236 D
CN203	033G8021 2D AC	CONN.2P R/A 87210-0236 D
CN202	033G8021 2D AC	CONN.2P R/A 87210-0236 D
CN201	033G8021 2D AC	CONN.2P R/A 87210-0236 D
CN901	033G8029 3A H	B2P3S-VH
	040G 45762412B	CBPC LABEL
	052G6025 11935	MYLAR FOR PANEL
IC902	056G 139 3	PC123FY2 BY SHARP
IC902	056G 139 3A	PC123Y22FZOF
Q206	057G 761 7	KTD1691P
Q207	057G 761 7	KTD1691P
NR901	061G 58080 WT	8 OHM NCT
R908	061G152M10458G6267	100K OHM 5% 2W
R918	061G152M398 64	0.39 OHM 2W
C903	063G 107474 5S	0.47UF 250VAC TEAPO
C903	063G107K474 HS	X2 CAP 0.47UF K 275VAC
C221	063G210J3342B2	0.33UF 250V PMS TAIYANG
C221	063G211J334 AB	0.33UF 5% 160V R75 BY ARCO
C901	065G305M2222BP	2200PF +-20%
C902	065G305M2222BP	2200PF +-20%
C900	065G306M4722BP	4700PF +-20% 400VAC

C926	067G215Y471 3N	KY16VB470M-L 8*15MM
C926	067G215Y4713NV	KY16VB470M-CC3 8*15MM
C926	067G215Y4713RV	LOW E.S.R 470UF +-20% 16V
L902	073G 174 65 H	LINE FILTER
L902	073G 174 65 LS	LINE FILTER BY LISHIN
L904	073G 253 91 H	CHOKE COIL
L903	073G 253 91 H	CHOKE COIL
L904	073G 253 91 L	CHOKE BY LI TA
L903	073G 253 91 L	CHOKE BY LI TA
L903	073G 253 91 T	CHOKE
L904	073G 253 91 T	CHOKE
L903	073G 253 91 LS	CHOKE BY LI SHIN
L904	073G 253 91 LS	CHOKE BY LI SHIN
L201	073G 253515 L	CHOKE COIL
L201	073G 253515 S	CHOLE
L201	073G 253515 Y	CHOKE
L901	073L 174 50 HH	LINE FITER
L901	073L 174 50 LH	LINE FILTER
L901	073L 174 50LSH	LINE FILTER
PT201	080GL17T 28 DN	X'FMR DARFON
PT202	080GL17T 28 DN	X'FMR DARFON
PT202	080GL17T 28 YS	X'FMR YSTDA500101G
PT201	080GL17T 28 YS	X'FMR YSTDA500101G
T901	080GL17T 29 L	ADAPTOR BY LITAI
T901	080GL17T 29 LS	ADAPTOR BY LISHIN
T901	080GL17T 29 YS	ADAPTOR BY YAO SHENG
CN902	095G8014 12523	WIRE
	705G 780 57 D1	Q901 ASS'Y
Q901	057G 600 35	STP8NK80ZFP
Q901	057G 667 15	FQPF7N80 TO-220F
Q901	057G 667 22	FQPF8N80C
Q901	057G 749 1C	2SK3264
	090G6240 1	HEAT SINK
	0M1G1730 8128 CR3	SCREW
	705G 780 57 D3	Q203 ASS'Y
	015G6284 1	PLATE
Q203	057G 763 12	AOU401 BY AOS
	090G6296 1	HEAT SINK
	0M1G 330 4128 CR3	SCREW

	705G 780 93 D1	D921/D922 ASS'Y
	090G6240 2	HEAT SINK
D922	093G 60217	FMB29L 10A 100V SANKEN
D922	093G 60236	DIODE FMB-26L TO-220 SANKEN
D921	093G 60239	FME-210B T0-220
D922	093G 60240	YG802C06R TO-220F15
D921	093G 60249	FCH10U15 T0-220
D922	093G 60251	FCQ10U06
D922	093G 60507 A	DIODE SRF1060 TSC
D922	093G1506 2	FMW-2156
	0M1G1730 8128 CR3	SCREW
	705GQ7K0 65005	A4 ASS'Y
C214	065G 3J1206EM	12PF 5% 3KV MURATA
C211	065G 3J1206EM	12PF 5% 3KV MURATA
C214	065G 3J1206ET	12PF 5% SL 3KV TDK
C211	065G 3J1206ET	12PF 5% SL 3KV TDK
C212	065G 3J2206ET	22PF 5% SL 3KV TDK
C213	065G 3J2706EM	27PF 3KV
C213	065G 3J2706ET	27PFJ 3KV SL
C203	067G215D4714KV	EC 105 CAP 470UF M 25V
C923	067G215L102 4N	KY25VB1000M-L 12.5*20
C924	067G215L102 4N	KY25VB1000M-L 12.5*20
C931	067G215L102 4N	KY25VB1000M-L 12.5*20
C923	067G215L102 4R	LOW E.S.R 1000UF +/-20% 25V
C924	067G215L102 4R	LOW E.S.R 1000UF +/-20% 25V
C931	067G215L102 4R	LOW E.S.R 1000UF +/-20% 25V
C925	067G215L471 4N	KY25VB470M-L10*16
C203	067G215L471 4N	KY25VB470M-L10*16
C203	067G215L471 4R	OW E.S.R 470UF +/-20% 25V
C925	067G215L471 4R	OW E.S.R 470UF +/-20% 25V
C904	067G215S10115K	100UF 450V
C904	067G215S10115N	PAG450VB100-M-L18*35.5MM
C904	067G215Z10115K	ELCAP 100UF M 450V
C904	067G305T10115H	ELCAP 105 100UF M 450V
DB901	093G 50460 13	BRKDGE KBP206G 2A 600V
DB901	093G 50460502	KBP206G
D901	093G 6026W52T	FR107
	705L 780 93 26	D210/D903/D923/D924 ASS'Y
IC901	056G 379 54	NCP1203D60R2G BY ON

IC201	056G 608 1	TL1451ACD
Q204	057G 417 4	PMBS3904/PHILIPS-SMT(04)
Q205	057G 417 6	PMBS3906/PHILIPS-SMT(06)
Q204	057G 417 12 T	KEC 2N3904S-RTK/PS
Q205	057G 417 13 T	KEC 2N3906S-RTK/PS
Q204	057G 417 4A	2SC3052-T112-1F
Q205	057G 417 6A	2SA1235A-T112-1F
Q202	057G 760 4A	DTA144WN3/S SOT-23
Q202	057G 760 4B	PDTA144WK SOT346
Q202	057G 760 4C	RT1P44HC-T112-1
Q201	057G 760 5A	DTC 144WN3/S SOT-23
Q201	057G 760 5B	PDTC144WK SOT346
Q201	057G 760 5C	RTIN44HC-T112-1
R208	061G0805000	0 OHM 1/10W
R209	061G0805000	0 OHM 1/10W
R207	061G0805100 2F	RST CHIPR 10KOHM +-1% 1/8W
R912	061G0805101	RST CHIPR 100 OHM +-5% 1/8W
R924	061G0805102	CHIP 1KOHM 1/10W
R931	061G0805102	CHIP 1KOHM 1/10W
R932	061G0805102	CHIP 1KOHM 1/10W
R917	061G0805103	10 KOHM 1/10W
R206	061G0805123	RST CHIPR 12 KOHM +-5% 1/8W
R214	061G0805123	RST CHIPR 12 KOHM +-5% 1/8W
R231	061G0805123	RST CHIPR 12 KOHM +-5% 1/8W
R205	061G0805163	RST CHIPR 16 KOHM +-5% 1/8W
R919	061G0805203	CHIP 20KOHM 1/10W
R909	061G0805220	22&8 1/10W
R915	061G0805220	22&8 1/10W
R916	061G0805221	RST CHIPR 220 OHM +-5% 1/8W
R202	061G0805221	RST CHIPR 220 OHM +-5% 1/8W
R910	061G0805222	RST CHIPR 2.2KOHM +-5% 1/8W
R201	061G0805240 1F	2.4KOHM 1/10W 1%
R933	061G0805240 1F	2.4KOHM 1/10W 1%
R203	061G0805240 1F	2.4KOHM 1/10W 1%
R929	061G0805330 2F	33 KOHM 1/10W 1%
R930	061G0805360 1F	3.6KOHM 1/10W 1%
R911	061G0805362	RST CHIPR 3.6 KOHM +-5% 1/8W
R230	061G0805471	470&8 1/10W
R204	061G0805471	470&8 1/10W

R213	061G0805472	RST CHIPR 4.7 KOHM +-5% 1/8W
R914	061G0805472	RST CHIPR 4.7 KOHM +-5% 1/8W
R210	061G0805473	RST CHIPR 47 KOHM +-5% 1/8W
R232	061G0805510 2F	RST CHIPR 51 KOHM +-1% 1/8W
R212	061G0805623	RST CHIPR 62 KOHM +-5% 1/8W
R229	061G0805681	RST CHIPR 680 OHM +-5% 1/8W
R913	061G0805753	CHIP 75KOHM 1/10W
F902	061G1206000	0 OHM 1/8W
R925	061G1206000	0 OHM 1/8W
R903	061G1206332	RST CHIPR 3.3 KOHM +-5% 1/4W
R904	061G1206332	RST CHIPR 3.3 KOHM +-5% 1/4W
R905	061G1206332	RST CHIPR 3.3 KOHM +-5% 1/4W
R900	061G1206334	330KOHM 1/8
R901	061G1206334	330KOHM 1/8
R902	061G1206334	330KOHM 1/8
C912	065G0805102 32	CHIP 1000P 50VX7R 0805
C204	065G0805104 22	0.1UF +-10% 25V X7R 080
C202	065G0805104 22	0.1UF +-10% 25V X7R 080
C201	065G0805104 22	0.1UF +-10% 25V X7R 080
C929	065G0805104 32	CHIP 0.1U 50V X7R
C928	065G0805104 32	CHIP 0.1U 50V X7R
C927	065G0805104 32	CHIP 0.1U 50V X7R
C907	065G0805104 32	CHIP 0.1U 50V X7R
C208	065G0805105 22	CHIP 1UF 25V X7R 0805
C223	065G0805105 22	CHIP 1UF 25V X7R 0805
C210	065G0805105 22 GP	CHIP 1UF 25V X7R 0805
C205	065G0805105 22 GP	CHIP 1UF 25V X7R 0805
C207	065G0805331 31	CHIP 330pF 50V NPO
C911	065G0805471 31	CHIP 470PF 50V NPO
C932	065G0805474 22	CHIP 0.47UF 25V X7R 0805
C222	065G0805474 22	CHIP 0.47UF 25V X7R 0805
D201	093G 60264	B340A
D924	093G 6432P	LL4148
D923	093G 6432P	LL4148
D903	093G 6432P	LL4148
D210	093G 6432P	LL4148
D923	093G 6432V	LL4148-GSO8
D903	093G 6432V	LL4148-GSO8
D210	093G 6432V	LL4148-GSO8



D924	093G 6432V	LL4148-GSO8
ZD201	093G 39S 8 T	RLZ11B LLDS
ZD902	093G 39S 25 T	RLZ5.1B LLDS
ZD905	093G 39S 25 T	RLZ5.1B LLDS
ZD903	093G 39S 38 T	PTZ 9.1B
ZD904	093G 39S 40 T	RLZ 13B LLDS
ZD901	093G 39S 44 T	RLZ18B LLDS
D201	093G3004 4	RB050L-40
	PW1742CPD2AIP	POWER BOARD
CN901	006G 31500	EYELET
C904	006G 31502	1.5MM RIVET
L902	006G 31502	1.5MM RIVET
Q901	006G 31502	1.5MM RIVET
T901	006G 31502	1.5MM RIVET
PT201	006G 31502	1.5MM RIVET
PT202	006G 31502	1.5MM RIVET
IC903	056G 158 10 T	IC AZ431AZ-AE1 TO-92 BY AAC
IC903	056G 158 12	KIA431A-AT/P TO-92
Q903	057G 419 PP T	2PC945P
Q902	057G 420 PP T	2PA733P
R225	061G 17210252T	1K OHM 5% 1/4W
R226	061G 17210252T	1K OHM 5% 1/4W
R227	061G 17210252T	1K OHM 5% 1/4W
R228	061G 17210252T	1K OHM 5% 1/4W
R224	061G 17218252T	1.8KOHM 5% 1/4W
R223	061G 17218252T	1.8KOHM 5% 1/4W
R222	061G 17218252T	1.8KOHM 5% 1/4W
R221	061G 17218252T	1.8KOHM 5% 1/4W
R923	061G 17256152T	560 OHM 5% 1/4W
R921	061G175L47052T	47OHM +-5% 1/2W
R922	061G175L47052T	47OHM +-5% 1/2W
C905	065G 2K152 1T6052	1.5NF/2KV Y5P +-10%
C905	065G 2K152 1T6285	1.5NF/2KV Y5P +-10%
C905	065G 2K152 1T6921	1.5NF/2KV Y5P +-10%
C921	065G517K102 5T	1000PF 10% Y5P 500V
C922	065G517K102 5T	1000PF 10% Y5P 500V
C906	067G 2151014KT	EC 105 100UF M 25V
C906	067G 2151014NT	100UF
C909	067G 2154704NT	47UF

C908	067G 3051007NT	EC105 10U 50V KEM50V
C909	067G 3054704KT	47UF
J914	071G 55 9 T	FERRITE BEAD
F901	084G 56 1	FUSE 2A 250V WICKMANN
D209	093G 64 1152T	1N4148
D208	093G 64 1152T	1N4148
D207	093G 64 1152T	1N4148
D206	093G 64 1152T	1N4148
D205	093G 64 1152T	1N4148
D204	093G 64 1152T	1N4148
D203	093G 64 1152T	1N4148
D202	093G 64 1152T	1N4148
D902	093G1020 752T	UF4003
	715G1492 2 FR	PCB
	034FPF20P01	BOBBIN
	Q40G 17N700 7A	RATING LABEL
	Q41G780070050A	qag for E177FP
	Q44G3770 3 B	EPS(L)
	Q44G3770 4 B	EPS(R)
	Q44G3770700 4B	CARTON
	Q44G3770BRO 2	PAPER-BLOCKED
	Q70G1700700 5B	CD MANUAL
E095	S95G80183080	LVDS ASS'Y
	033F206H24JWT0	A2006H00-2*12PHK
	033F206T2JWTOP	A2006TOP-2
	033F303SM24K30	PK2407P30/TD00-30LH
	033F303TTD1	TD00-T 2407PS-00

**T76AM9HMFDDDN**

Location	Part Number	Description
	011G6080 1	SPACER SUPPORT
	023G3178700 3A	LOGO
	026G 800700 6A	S/N LABEL
	040G 581700 3A6813	CARTON LABEL
	044G3231 12 A	EVA WASHER
	044G3586 3EPE	EPE
	044G6002834 2A GP	PAPER BOARD
	044G9003210	CORNER PAPER
	052G 1186	SMALL TAPE

	052G6022 1500	SMALL TAPE
	052G6025 11848	MYLAR FOR POWER BOARD
	085G 702 1	SHIELD WIRE
E089B	089G 728GAA 2D	SIGNAL CABLE
	0M1G 330 4128 CR3	SCREW
	0M1G1740 6128 CR3	SCREW
	0M1G2940 10225 CR3	SCREW
	0M1G3030 5125	SCREW
	705GQ715002	MAIN FRAME ASS'Y(17")
	015G8185 1	HOLDER BRACKET R
	015G8186 1	HOLDER BRACKET L
	0M1G 130 5 47 CR3	SCREW
	Q15G0187 1	MAINFRAME
	Q19G0004 1	SPRING
	Q20G6033 1	STAND-HOLDER
	705GQ787002	CN901 ASS'Y
	087G 501 14 RF	AC SOCKET
	095G 900584	WIRE HARNESS
	095G8021 3X549	WIRE HARNESS
	096G 29 6	H.S. TUBE
	750GLU70G1D12Z000D	PANEL M170EG01 VD00 ZBD DELL AUO
	CBPC6AM9DLQ1	MAIN BOARD VER:A00,V6C08
CN403	033G8019 8C JH	WAFER
CN701	033G8027 12	WAFER 2*6P 2.0MM R/A
CN101	033G8043 24 BH W	CONNECTOR
	040G 457624 1B	LABEL-CPU
	040G 45762412B	CBPC LABEL
C408	067G305V100 3	105 10UF +-20% 16V
C418	067G305V100 3	105 10UF +-20% 16V
C717	067G305V100 3	105 10UF +-20% 16V
C710	067G305V101 3	105 100UF M 16V
C702	067G405D4797PV	ELCAP 4.7UF M 50V
C403	067G405V100 3P	10UF 16V
C712	067G405V101 3P	CAP 105 100UF M 16V
CN405	088G 35315F H	D-SUB 15PIN
X401	093G 22 53	CRYSTAL 14.318MHZHC-49US
U401	056G 562105	TSUM16AL-LF
U701	056G 585 4A	AP1117E33LA
U404	056G1133 34	M24C02-WMN6TP
U402	056G1133 74	SST25VF010A-33-4C-SAE

Q706	057G 417 12 T	KEC 2N3904S-RTK/PS
Q703	057G 417 12 T	KEC 2N3904S-RTK/PS
Q701	057G 417 12 T	KEC 2N3904S-RTK/PS
Q402	057G 417 12 T	KEC 2N3904S-RTK/PS
Q401	057G 417 13 T	KEC 2N3906S-RTK/PS
Q403	057G 417 13 T	KEC 2N3906S-RTK/PS
Q702	057G 417 23 T	TRA PZT2907AT1G SOT-223
Q704	057G 763 1A	AP2305N
R721	061G0603000	RST CHIPR 0 OHM +-5% 1/10W
R460	061G0603000	RST CHIPR 0 OHM +-5% 1/10W
R461	061G0603000	RST CHIPR 0 OHM +-5% 1/10W
R462	061G0603000	RST CHIPR 0 OHM +-5% 1/10W
R441	061G0603101	RST CHIPR 100 OHM +-5% 1/10W
R704	061G0603101	RST CHIPR 100 OHM +-5% 1/10W
R478	061G0603101	RST CHIPR 100 OHM +-5% 1/10W
R454	061G0603101	RST CHIPR 100 OHM +-5% 1/10W
R453	061G0603101	RST CHIPR 100 OHM +-5% 1/10W
R445	061G0603101	RST CHIPR 100 OHM +-5% 1/10W
R443	061G0603101	RST CHIPR 100 OHM +-5% 1/10W
R442	061G0603101	RST CHIPR 100 OHM +-5% 1/10W
R446	061G0603102	RST CHIP 1K 1/10W 5%
R447	061G0603102	RST CHIP 1K 1/10W 5%
R455	061G0603102	RST CHIP 1K 1/10W 5%
R701	061G0603102	RST CHIP 1K 1/10W 5%
R404	061G0603103	RST CHIPR 10 KOHM +-5% 1/10W
R711	061G0603103	RST CHIPR 10 KOHM +-5% 1/10W
R717	061G0603103	RST CHIPR 10 KOHM +-5% 1/10W
R714	061G0603103	RST CHIPR 10 KOHM +-5% 1/10W
R406	061G0603103	RST CHIPR 10 KOHM +-5% 1/10W
R408	061G0603103	RST CHIPR 10 KOHM +-5% 1/10W
R413	061G0603103	RST CHIPR 10 KOHM +-5% 1/10W
R415	061G0603103	RST CHIPR 10 KOHM +-5% 1/10W
R416	061G0603103	RST CHIPR 10 KOHM +-5% 1/10W
R444	061G0603103	RST CHIPR 10 KOHM +-5% 1/10W
R450	061G0603103	RST CHIPR 10 KOHM +-5% 1/10W
R451	061G0603103	RST CHIPR 10 KOHM +-5% 1/10W
R452	061G0603103	RST CHIPR 10 KOHM +-5% 1/10W
R479	061G0603103	RST CHIPR 10 KOHM +-5% 1/10W
R727	061G0603103	RST CHIPR 10 KOHM +-5% 1/10W
R708	061G0603103	RST CHIPR 10 KOHM +-5% 1/10W

R484	061G0603103	RST CHIPR 10 KOHM +-5% 1/10W
R481	061G0603103	RST CHIPR 10 KOHM +-5% 1/10W
R482	061G0603103	RST CHIPR 10 KOHM +-5% 1/10W
R483	061G0603103	RST CHIPR 10 KOHM +-5% 1/10W
R474	061G0603182	RST CHIPR 1.8 KOHM +-5% 1/10W
R475	061G0603182	RST CHIPR 1.8 KOHM +-5% 1/10W
R476	061G0603182	RST CHIPR 1.8 KOHM +-5% 1/10W
R477	061G0603182	RST CHIPR 1.8 KOHM +-5% 1/10W
R703	061G0603202	RST CHIPR 2 KOHM +-5% 1/10W
R405	061G0603203	RST CHIPR 20 KOHM +-5% 1/10W
R409	061G0603221	RST CHIPR 220 OHM +-5% 1/10W
R414	061G0603221	RST CHIPR 220 OHM +-5% 1/10W
R419	061G0603221	RST CHIPR 220 OHM +-5% 1/10W
R421	061G0603221	RST CHIPR 220 OHM +-5% 1/10W
R449	061G0603222	RST CHIPR 2.2 KOHM +-5% 1/10W
R448	061G0603222	RST CHIPR 2.2 KOHM +-5% 1/10W
R403	061G0603391	RST CHIPR 390 OHM +-5% 1/10W
R422	061G0603472	RST CHIPR 4.7KOHM +-5% 1/10W
R423	061G0603472	RST CHIPR 4.7KOHM +-5% 1/10W
R705	061G0603472	RST CHIPR 4.7KOHM +-5% 1/10W
R707	061G0603472	RST CHIPR 4.7KOHM +-5% 1/10W
R712	061G0603472	RST CHIPR 4.7KOHM +-5% 1/10W
R725	061G0603472	RST CHIPR 4.7KOHM +-5% 1/10W
R702	061G0603510	RST CHIPR 51 OHM +-5% 1/10W
R723	061G0603513	RST CHIPR 51 KOHM +-5% 1/10W
R434	061G0603560	RST CHIPR 56 OHM +-5% 1/10W
R435	061G0603560	RST CHIPR 56 OHM +-5% 1/10W
R436	061G0603560	RST CHIPR 56 OHM +-5% 1/10W
R440	061G0603750 9F	RST CHIPR 75 OHM +-1% 1/10W
R439	061G0603750 9F	RST CHIPR 75 OHM +-1% 1/10W
R438	061G0603750 9F	RST CHIPR 75 OHM +-1% 1/10W
C426	065G040210232T	0402 MLCC 1000PF K 50V
C427	065G040210232T	0402 MLCC 1000PF K 50V
C428	065G040210232T	0402 MLCC 1000PF K 50V
C431	065G040210232T	0402 MLCC 1000PF K 50V
C440	065G040210412T	CHIP 0.1UF 16V X7R
C441	065G040210412T	CHIP 0.1UF 16V X7R
C444	065G040210412T	CHIP 0.1UF 16V X7R
C445	065G040210412T	CHIP 0.1UF 16V X7R
C713	065G040210412T	CHIP 0.1UF 16V X7R

C715	065G040210412T	CHIP 0.1UF 16V X7R
C718	065G040210412T	CHIP 0.1UF 16V X7R
C404	065G040210412T	CHIP 0.1UF 16V X7R
C405	065G040210412T	CHIP 0.1UF 16V X7R
C406	065G040210412T	CHIP 0.1UF 16V X7R
C407	065G040210412T	CHIP 0.1UF 16V X7R
C409	065G040210412T	CHIP 0.1UF 16V X7R
C439	065G040210412T	CHIP 0.1UF 16V X7R
C402	065G040210412T	CHIP 0.1UF 16V X7R
C410	065G040210412T	CHIP 0.1UF 16V X7R
C411	065G040210412T	CHIP 0.1UF 16V X7R
C412	065G040210412T	CHIP 0.1UF 16V X7R
C413	065G040210412T	CHIP 0.1UF 16V X7R
C414	065G040210412T	CHIP 0.1UF 16V X7R
C415	065G040210412T	CHIP 0.1UF 16V X7R
C416	065G040210412T	CHIP 0.1UF 16V X7R
C419	065G040210412T	CHIP 0.1UF 16V X7R
C422	065G040210412T	CHIP 0.1UF 16V X7R
C429	065G040210412T	CHIP 0.1UF 16V X7R
C430	065G040210412T	CHIP 0.1UF 16V X7R
C401	065G040210412T	CHIP 0.1UF 16V X7R
C443	065G040222031T	0402 MLCC 22PF J 50V
C442	065G040222031T	0402 MLCC 22PF J 50V
C423	065G040222031T	0402 MLCC 22PF J 50V
C421	065G040222031T	0402 MLCC 22PF J 50V
C417	065G0402224A5T	MLCC 0402 0.22UF K 10V X
C438	065G040247312T	0402 MLCC 47NF K 16V
C437	065G040247312T	0402 MLCC 47NF K 16V
C436	065G040247312T	0402 MLCC 47NF K 16V
C434	065G040247312T	0402 MLCC 47NF K 16V
C433	065G040247312T	0402 MLCC 47NF K 16V
C432	065G040247312T	0402 MLCC 47NF K 16V
C714	065G0603104 12	CER2 0603 X7R 16V 100N P
C709	065G0603104 12	CER2 0603 X7R 16V 100N P
FB404	071G 56Z601	CHIP BEAD 600 OHM 0805
FB403	071G 56Z601	CHIP BEAD 600 OHM 0805
FB402	071G 56Z601	CHIP BEAD 600 OHM 0805
FB401	071G 56Z601	CHIP BEAD 600 OHM 0805
FB405	071G 56Z601	CHIP BEAD 600 OHM 0805
FB406	071G 56Z601	CHIP BEAD 600 OHM 0805

FB409	071G 59B121	TB160808B
D409	093G 39147SEM	ZMM5V6ST
D408	093G 39147SEM	ZMM5V6ST
D406	093G 39147SEM	ZMM5V6ST
D411	093G 39147SEM	ZMM5V6ST
D410	093G 39147SEM	ZMM5V6ST
D412	093G 39147SEM	ZMM5V6ST
D413	093G 39147SEM	ZMM5V6ST
D415	093G 39147SEM	ZMM5V6ST
D407	093G 60230	BAT54C(L43)
D414	093G 6432P	LL4148
D701	093G 6432P	LL4148
D702	093G 6432P	LL4148
D404	093G 6433P	BAV99
D405	093G 6433P	BAV99
D403	093G 6433P	BAV99
D704	093G2004 2	SR24/PANJIT-SMT
	715G1565 2 2	MAIN BOARD
	KEPC6QB2	KEY BOARD
	052G6022 20	SMALL TAPE
SW1	077G 500 4 CJ	DOME SWITCH 4PCS ARRAY
CN1	089G176J 8519	FFC CABLE
LED01	081G 14501 GP	LED GPTD1210YGC3-HB GUANGPU
	715G1564 1 3	KEY BOARD
	PWPC742AD8P	POWERG1492-1-DEL-7A-2-070413 VER:A00
CN801	033G8021 2E AC	WAFER
CN802	033G8021 2E AC	WAFER
CN803	033G8021 2E AC	WAFER
CN804	033G8021 2E AC	WAFER
CN901	033G8029 3A H	B2P3S-VH
	040G 45762412B	CBPC LABEL
	051G 6 4503	RTV
IC902	056G 139 3A	PC123Y22FZOF
NR901	061G 58080 WT	8 OHM NCT
R916	061G152M438 64	RST MOFR 0.43OHM +-5% 2WS
C909	063G107K474 HS	X2 CAP 0.47UF K 275VAC
C817	065G 3J3096ET	3PF,J,3KV,Z5P
C826	065G 3J3096ET	3PF,J,3KV,Z5P
C816	065G 6J1506ET	15PF 5% SL 6KV
C825	065G 6J1506ET	15PF 5% SL 6KV

C901	065G305M2222EM	2200PF+-20% 250VAC/400VAC
C902	065G305M2222EM	2200PF+-20% 250VAC/400VAC
C905	065G306M4722BP	4700PF +-20% 400VAC
C811	067G215D4714KV	E.C 105 CAP 470UF M 25V ED SERIES
C820	067G215D4714KV	E.C 105 CAP 470UF M 25V ED SERIES
C925	067G215D4714KV	E.C 105 CAP 470UF M 25V ED SERIES
C922	067G215D6814KV	CAP 105 680UF M 25V
C923	067G215D6814KV	CAP 105 680UF M 25V
C924	067G215D6814KV	CAP 105 680UF M 25V
C907	067G215S10115N	PAG450VB100-M-L18*35.5MM
C926	067G215S1023KV	105 1000UF M 16V
C927	067G215S4713KV	EC 105 CAP 470UF M 16V
L901	073L 174 50 LH	LINE FILTER
BD901	093G 50460510	2KBP08M 2A 800V
D922	093G3006 1 1	31DQ06FC3 NIHON INTER
CN902	095G801412X602	WIRE HARNESS
R909	705G 909 11 06	R909 ASS'Y
R909	061G152M10458F	100K OHM 5% 2W
	096G 29 6	H.S. TUBE
D920	705GQ793003	D920 ASS'Y
HS3 D920	090G6264 2	HEAT SINK
D920	093G 60239	FME-210B T0-220
	0M1G1730 8128 CR3	SCREW
Q900	705GQ7K0 57005	Q900 ASS'Y
Q900	057G 600 35	STP8NK80ZFP
HS4 Q900	090G6264 2	HEAT SINK
	0M1G1730 8128 CR3	SCREW
IC901	056G 379 61	LD7575PS SOP-8
IC801	056G 608 10	IC OZ9938GN-B SOIC-16
Q803	057G 417 4	PMBS3904/PHILIPS-SMT(04)
Q802	057G 417 4	PMBS3904/PHILIPS-SMT(04)
Q801	057G 417 4	PMBS3904/PHILIPS-SMT(04)
Q805	057G 763 14	AM9945N
Q806	057G 763 14	AM9945N
RJ803	061G0805000	0 OHM 1/10W
R842	061G0805100	10 OHM 1/10W
R837	061G0805100	10 OHM 1/10W
R911	061G0805100 3F	RST CHIPR 100KOHM +-1% 1/8W
R836	061G0805102	RST CHIPR 1KOHM +-5% 1/8W
R843	061G0805102	RST CHIPR 1KOHM +-5% 1/8W



R913	061G0805102	RST CHIPR 1KOHM +-5% 1/8W
R925	061G0805102	RST CHIPR 1KOHM +-5% 1/8W
R927	061G0805102	RST CHIPR 1KOHM +-5% 1/8W
R930	061G0805102	RST CHIPR 1KOHM +-5% 1/8W
R803	061G0805103	10 KOHM 1/10W
R812	061G0805103	10 KOHM 1/10W
R915	061G0805103	10 KOHM 1/10W
R923	061G0805103	10 KOHM 1/10W
R810	061G0805104	RST CHIP 100K 1/8W 5%
R815	061G0805104	RST CHIP 100K 1/8W 5%
R821	061G0805104	RST CHIP 100K 1/8W 5%
R831	061G0805104	RST CHIP 100K 1/8W 5%
R816	061G0805104	RST CHIP 100K 1/8W 5%
R811	061G0805105	1MOHM 1/10W
R813	061G0805105	1MOHM 1/10W
R820	061G0805153	RST CHIPR 15KOHM +-5% 1/8W
R830	061G0805153	RST CHIPR 15KOHM +-5% 1/8W
C808	061G0805183	RST CHIPR 18 KOHM +-5% 1/8W
R929	061G0805240 1F	RST CHIPR 2.4KOHM +-1% 1/8W
R817	061G0805330 2F	RST CHIPR 33 KOHM +-1% 1/8W
R926	061G0805330 2F	RST CHIPR 33 KOHM +-1% 1/8W
R827	061G0805360 1F	RST CHIPR 3.6KOHM +-1% 1/8W
R834	061G0805360 1F	RST CHIPR 3.6KOHM +-1% 1/8W
R924	061G0805360 1F	RST CHIPR 3.6KOHM +-1% 1/8W
R826	061G0805391	390 OHM 1/10W 1%
R841	061G0805431	RST CHIPR 430 OHM +-5% 1/8W
R825	061G0805561	560 0805
R835	061G0805561	560 0805
R814	061G0805563	56KOHM 1/10W
F903	061G1206000	RST CHIPR 0 OHM +-5% 1/4W
RJ801	061G1206000	RST CHIPR 0 OHM +-5% 1/4W
RJ802	061G1206000	RST CHIPR 0 OHM +-5% 1/4W
RJ804	061G1206000	RST CHIPR 0 OHM +-5% 1/4W
RJ901	061G1206000	RST CHIPR 0 OHM +-5% 1/4W
RJ902	061G1206000	RST CHIPR 0 OHM +-5% 1/4W
F902	061G1206000 4	RST CHIPR 0 OHM +-5% 1/4W
R912	061G1206100	RST CHIP 10R 1/4W 5%
R808	061G1206100 3F	RST CHIPR 100 KOHM +-1% 1/4W
R804	061G1206103	RST CHIPR 10 KOHM +-5% 1/4W
R905	061G1206103	RST CHIPR 10 KOHM +-5% 1/4W

R931	061G1206103	RST CHIPR 10 KOHM +-5% 1/4W
R818	061G1206150	RST CHIPR 15 OHM +-5% 1/4W
R819	061G1206150	RST CHIPR 15 OHM +-5% 1/4W
R828	061G1206150	RST CHIPR 15 OHM +-5% 1/4W
R829	061G1206150	RST CHIPR 15 OHM +-5% 1/4W
R807	061G1206220	RST CHIPR 22 OHM +-5% 1/4W
R802	061G1206304	300 KOHM 1/8W
R902	061G1206334	RST CHIPR 330KOHM +-5% 1/4W
R901	061G1206334	RST CHIPR 330KOHM +-5% 1/4W
R900	061G1206334	RST CHIPR 330KOHM +-5% 1/4W
R955	061G1206470	RST CHIPR 47 OHM +-5% 1/4W
R954	061G1206470	RST CHIPR 47 OHM +-5% 1/4W
R952	061G1206470	RST CHIPR 47 OHM +-5% 1/4W
R951	061G1206470	RST CHIPR 47 OHM +-5% 1/4W
R805	061G1206471	470 1206
R910	061G1206759	7R5 OHM 1/8W
C805	065G0805102 32	CHIP 1000P 50VX7R 0805
C807	065G0805103 32	10NF/50V/0805/X7R
C931	065G0805104 32	CHIP 0.1U 50V X7R
C930	065G0805104 32	CHIP 0.1U 50V X7R
C929	065G0805104 32	CHIP 0.1U 50V X7R
C928	065G0805104 32	CHIP 0.1U 50V X7R
C916	065G0805104 32	CHIP 0.1U 50V X7R
C912	065G0805104 32	CHIP 0.1U 50V X7R
C806	065G0805105 22	CHIP 1UF 25V X7R 0805
C812	065G0805152 32	CHIP 1500PF 50V X7R 0805
C813	065G0805152 32	CHIP 1500PF 50V X7R 0805
C822	065G0805152 32	CHIP 1500PF 50V X7R 0805
C823	065G0805152 32	CHIP 1500PF 50V X7R 0805
C831	065G0805221 32	CHIP 220PF 50V X7R 0805
C833	065G0805221 32	CHIP 220PF 50V X7R 0805
C913	065G0805221 32	CHIP 220PF 50V X7R 0805
C804	065G0805225 12	CHIP 2.2UF 16V X7R 0805
C818	065G0805271 31	MLCC 0805 270PF J 50V NP0
C827	065G0805271 31	MLCC 0805 270PF J 50V NP0
C914	065G0805471 22	470PF 25V
C819	065G0805473 22	SMD 47NF +-10%25V XTR
C809	065G0805473 32	CHIP 0.047UF 50V X7R
C810	065G0805561 31	CHIP 560PF 50V NPO 0805
D804	093G 64 33	DIO SIG SM BAV99 (PHSE)R

D802	093G 64 33	DIO SIG SM BAV99 (PHSE)R
D801	093G 64 42 PP	BAV70 SOT-23
D803	093G 64 42 PP	BAV70 SOT-23
D910	093G 64 44 S	LL4148WP
D915	093G 64 44 S	LL4148WP
D916	093G 64 44 S	LL4148WP
ZD801	093G 39S 24 T	RLZ 5.6B LLDS
ZD922	093G 39S 25 T	RLZ5.1B LLDS
ZD920	093G 39S 38 T	PTZ 9.1B
ZD921	093G 39S 40 T	RLZ 13B LLDS
	PW742AD8AIP	POWER BOARD FOR AI
CN901	006G 31500	EYELET
T901	006G 31502	1.5MM RIVET
Q900	006G 31502	1.5MM RIVET
PT802	006G 31502	1.5MM RIVET
PT801	006G 31502	1.5MM RIVET
NR901	006G 31502	1.5MM RIVET
L902	006G 31502	1.5MM RIVET
L901	006G 31502	1.5MM RIVET
IC921	056G 158 12	KIA431A-AT/P TO-92
R928	061G 17210252T	1K OHM 5% 1/4W
R922	061G 17247152T	470OHM 5% 1/4W
R832	061G212Y305 KT	MGFR 3M OHM +-5% 1/2W
R822	061G212Y305 KT	MGFR 3M OHM +-5% 1/2W
C910	065G 1K152 1T6052	1.5NF /1K Y5P+-10%
C921	065G517K102 5T	1000PF 10% Y5P 500V
C920	065G517K102 5T	1000PF 10% Y5P 500V
C911	067G215D2207KT	CAP 105 22UF M 50V
F901	084G 55 2	FUSE 2.5A 250V MET2.50 BY CONQUER
D900	093G 6026W52T	FR107
D901	093G1020 752T	UF4003PT DO-41 CHENMKO
	715G1492 1DEL	POWER BOARD
	Q52G6025 13111	MYLAR
	034FPE19P03	CASE EEL19
	034FPE19P03	CASE EEL19
	Q01G6019 2	SCREW
	Q01G6019 2	SCREW
	Q07G 1 5D35	WOODEN PALLET
	Q33G0122 SNA1L	BUTTON FUNC
	Q33G0123 VH 1L	BUTTON RELEASE

	Q34G0156 VH 1B 30	REAR COVER(17")
	Q34G0170 VHA1B	BEZEL L1706-DELL
	Q37G0048 1	HINGE
	Q40G 17N70011B	RATING LABEL
	Q41G780070081A	DELL ROHS CARD
	Q41G780070092A	E178FP PIG FOR APCC
	Q41G780070094A	E178FP QSG
	Q44G7046 1	EPS
	Q44G7046 2	EPS
	Q44G7046700 2A	CARTON
	Q45G 88606 8 R	PE BAG FOR BASE
	Q45G 88607DE8 R	PE BAG FOR MONITOR
	Q50G 505 17	BAND
	Q52G6020 34	PROTECT FILM
	Q70G1700700 6B	CD MANUAL
	Q85G0049 1	SHIELD LAMP
	S95G80183621	LVDS ASS'Y
	033F206H24JWT2	A2006H00-2*12PHKL
	033F303SM24K30	PK2407P30/TD00-30LH
	071FW100001017	10.5*6.5*30+H/S
	033F206T2JWTOP	A2006TOP-2
	033F303TTD1	TD00-T 2407PS-00

**13. Different Parts List**

<b>Diversity of T76CM5HKA2DZNP compared with T76CM5HKA2DFNP</b>		
<b>Location</b>	<b>Part No. for TPV</b>	<b>Description</b>
	089G 728LAA 2D	SIGNAL CABLE
	089G402A18NISD	POWER CORD
	750GLC70A7Q33Z D	PANEL LCD 17" EA07Q 373 D PANEL
	PWPC1742CPD2P	POWER BOARD VER:A00
Q206	057G 761500	BTD1805D3
Q207	057G 761500	BTD1805D3
C213	065G 3J1506ET	15PF 5% CC45SL 3KV TDK
C212	065G 3J1506ET	15PF 5% CC45SL 3KV TDK
C214	065G 3J1806ET	18PF 5% SL3KV TDK
C211	065G 3J1806ET	18PF 5% SL3KV TDK
R207	061L0805103	CHIPR 10K OHM +-5% 1/10W

<b>Diversity of T76GM5HKA2DFNP compared with T76CM5HKA2DFNP</b>		
<b>Location</b>	<b>Part No. for TPV</b>	<b>Description</b>
E089B	089G 728LAA 2D	SIGNAL CABLE
E089A	089G402A18NISD	POWER CORD
	750GLG70E1T31Z D	LPL 17" TLB3 ZBD PANEL
	CBPC780KG4DLP	MAIN BOARD VER:A00,V6C08
	PWPC1742LGD2P	POWER BOARD VER:A00
	015G8187 1	MAIN FRAME-CPT/LPL
	AIC780KG4DLP	MAIN BOARD
Q207	057G 761500	BTD1805D3
Q206	057G 761500	BTD1805D3
C213	065G 3J1506ET	15PF 5% CC45SL 3KV TDK
C212	065G 3J1506ET	15PF 5% CC45SL 3KV TDK
C211	065G 3J1806ET	18PF 5% SL3KV TDK
C214	065G 3J1806ET	18PF 5% SL3KV TDK
L903	073G 253 91 L	CHOKE BY LI TA
L904	073G 253 91 L	CHOKE BY LI TA
L201	073G 253515 S	CHOLE
R450	061L0603103	CHIPR 10K OHM +-5% 1/16W
R451	061L0603103	CHIPR 10K OHM +-5% 1/16W
R207	061L0805103	CHIPR 10K OHM +-5% 1/10W

Diversity of T76GM5HKA2DZNP compared with T76CM5HKA2DFNP		
Location	Part No. for TPV	Description
	089G 728LAA 2D	SIGNAL CABLE
	089G402A18NISD	POWER CORD
	750GLG70E1T41Z D	LPL 17" TLB4 ZBD PANEL
	CBPC780KG4DLP	MAIN BOARD VER:A00,V6C08
	PWPC1742LGD2P	POWER BOARD VER:A00
	015G8187 1	MAIN FRAME-CPT/LPL
	AIC780KG4DLP	MAIN BOARD
Q207	057G 761500	BTD1805D3
Q206	057G 761500	BTD1805D3
C213	065G 3J1506ET	15PF 5% CC45SL 3KV TDK
C212	065G 3J1506ET	15PF 5% CC45SL 3KV TDK
C211	065G 3J1806ET	18PF 5% SL3KV TDK
C214	065G 3J1806ET	18PF 5% SL3KV TDK
L903	073G 253 91 L	CHOKE BY LI TA
L904	073G 253 91 L	CHOKE BY LI TA
L201	073G 253515 S	CHOLE
R450	061L0603103	CHIPR 10K OHM +-5% 1/16W
R451	061L0603103	CHIPR 10K OHM +-5% 1/16W
R207	061L0805103	CHIPR 10K OHM +-5% 1/10W

Diversity of T76GM9HKA2DFNCP compared with T76CM5HKA2DFNP		
Location	Part No. for TPV	Description
E089B	089G 728LAA 2D	SIGNAL CABLE
E089A	089G402A18NISD	POWER CORD
	750GLG70E1T31D D	LPL 17" DELL CONSIGN PANEL
	CBPC780KG4DLP	MAIN BOARD VER:A00,V6C08
	PWPC1742LGD2P	POWER BOARD VER:A00
	015G8187 1	MAIN FRAME-CPT/LPL
	AIC780KG4DLP	MAIN BOARD
Q207	057G 761500	BTD1805D3
Q206	057G 761500	BTD1805D3
C213	065G 3J1506ET	15PF 5% CC45SL 3KV TDK
C212	065G 3J1506ET	15PF 5% CC45SL 3KV TDK
C211	065G 3J1806ET	18PF 5% SL3KV TDK
C214	065G 3J1806ET	18PF 5% SL3KV TDK
L903	073G 253 91 L	CHOKE BY LI TA
L904	073G 253 91 L	CHOKE BY LI TA
L201	073G 253515 S	CHOLE
R450	061L0603103	CHIPR 10K OHM +-5% 1/16W
R451	061L0603103	CHIPR 10K OHM +-5% 1/16W
R207	061L0805103	CHIPR 10K OHM +-5% 1/10W

Diversity of T76CM9HKA2DZNCP compared with T76CM5HKA2DFNP		
Location	Part No. for TPV	Description
V000	015G8146 1	KEYSINGTON BRACKET
V000	040G 152509	RECYCLE LABEL
V000	040G 152512	RECYCLE LABEL
	089G 728GAA 2D	SIGNAL CABLE
	089G 728LAA 2D	SIGNAL CABLE
	089G402A18NISD	POWER CORD
E095	095G8018 30 80	LVDS HARNESS
	750GLC70A7Q32D000D	PANEL LCD 17" EA07Q 373 D DELL CPT
	750GLC70A7Q33D000D	PANEL LCD 17" EA07Q 373 D DELL CPT
	PWPC1742CPD2P	POWER BOARD VER:A00
M037	Q37G 535 3	hinge ass'y
C702	067G 2154797RV	EL CAP 4.7UF M 50V YXG
C702	067G405V479 7P	EC 105 4.7UF M 50V
CN405	088G 35315F HJ	SOC SUBD H 15P F
CN1	089G176J 8513	FFC CABLE KOTL
CN1	089G176S 8513	FFC CABLE SHAEY YOUNG
	Q52G6022 28	TAPE
CN204	033G8021 2D U	3.5mm WAFER
CN203	033G8021 2D U	3.5mm WAFER
CN202	033G8021 2D U	3.5mm WAFER
CN201	033G8021 2D U	3.5mm WAFER
IC902	056G 139 3	PC123FY2 BY SHARP
Q206	057G 761500	BTD1805D3
Q207	057G 761500	BTD1805D3
C903	063G 107474 5S	0.47UF 250VAC TEAPO
C903	063G107K474 HS	X2 CAP 0.47UF K 275VAC
C221	063G210J3342B2	0.33UF 250V PMS TAIYANG
C926	067G215Y471 3N	KY16VB470M-L 8*15MM
C926	067G215Y4713NV	KY16VB470M-CC3 8*15MM
L902	073G 174 65 H	LINE FILTER
L902	073G 174 65 LS	LINE FILTER BY LISHIN
L903	073G 253 91 L	CHOKE BY LI TA
L904	073G 253 91 L	CHOKE BY LI TA
L903	073G 253 91 T	CHOKE
L903	073G 253 91 LS	CHOKE BY LI SHIN
L904	073G 253 91 LS	CHOKE BY LI SHIN
L201	073G 253515 L	CHOKE COIL



L201	073G 253515 S	CHOLE
L901	073L 174 50 LH	LINE FILTER
L901	073L 174 50LSH	LINE FILTER
PT201	080GL17T 28 DN	X'FMR DARFON
PT202	080GL17T 28 DN	X'FMR DARFON
T901	080GL17T 29 L	ADAPTOR BY LITAI
T901	080GL17T 29 LS	ADAPTOR BY LISHIN
T901	080GL17T 29 YS	ADAPTOR BY YAO SHENG
	705GQ7K0 65002	A4 ASS'Y
	019F18173L1	SPRINGS
	019F18173R1	SPRINGS
U701	056G 585 4	AIC1117-33CY
Q706	057G 417 4	PMBS3904/PHILIPS-SMT(04)
Q703	057G 417 4	PMBS3904/PHILIPS-SMT(04)
Q701	057G 417 4	PMBS3904/PHILIPS-SMT(04)
Q402	057G 417 4	PMBS3904/PHILIPS-SMT(04)
Q403	057G 417 6	PMBS3906/PHILIPS-SMT(06)
Q401	057G 417 6	PMBS3906/PHILIPS-SMT(06)
Q702	057G 417 23 T	TRA PZT2907AT1G SOT-223
Q704	057G 763 1	A03401 SOT23 BY AOS(A1)
LED01	081G 14501 GP	LED GPTD1210YGC3-HB GUANGPU
ZD04	093G 39S 34 T	UDZS5.6B
ZD03	093G 39S 34 T	UDZS5.6B
ZD02	093G 39S 34 T	UDZS5.6B
ZD01	093G 39S 34 T	UDZS5.6B
ZD05	093G 39S 34 T	UDZS5.6B
ZD06	093G 39S 34 T	UDZS5.6B
Q901	057G 600 35	STP8NK80ZFP
Q901	057G 667 15	FQPF7N80 TO-220F
Q901	057G 749 1C	2SK3264
D922	093G 60217	FMB29L 10A 100V SANKEN
D922	093G 60236	DIODE FMB-26L TO-220 SANKEN
D922	093G 60240	YG802C06R TO-220F15
D921	093G 60249	FCH10U15 T0-220
D922	093G 60251	FCQ10U06
D922	093G 60507 A	DIODE SRF1060 TSC
C213	065G 3J1506EM	15PF/3KV
C212	065G 3J1506EM	15PF/3KV
C213	065G 3J1506ET	15PF 5% CC45SL 3KV TDK
C212	065G 3J1506ET	15PF 5% CC45SL 3KV TDK

C214	065G 3J1806EM	18PF +-5% 3KV SL
C211	065G 3J1806EM	18PF +-5% 3KV SL
C214	065G 3J1806ET	18PF 5% SL3KV TDK
C211	065G 3J1806ET	18PF 5% SL3KV TDK
C203	067G215D4714KV	EC 105 CAP 470UF M 25V
C931	067G215L102 4N	KY25VB1000M-L 12.5*20
C924	067G215L102 4N	KY25VB1000M-L 12.5*20
C923	067G215L102 4N	KY25VB1000M-L 12.5*20
C925	067G215L471 4N	KY25VB470M-L10*16
C203	067G215L471 4N	KY25VB470M-L10*16
C904	067G215S10115K	100UF 450V
C904	067G215S10115N	PAG450VB100-M-L18*35.5MM
C904	067G215Z10115K	ELCAP 100UF M 450V
DB901	093G 50460502	KBP206G
Q204	057G 417 4	PMBS3904/PHILIPS-SMT(04)
Q205	057G 417 6	PMBS3906/PHILIPS-SMT(06)
Q204	057G 417 4A	2SC3052-T112-1F
Q205	057G 417 6A	2SA1235A-T112-1F
Q202	057G 760 4B	PDTA144WK SOT346
Q202	057G 760 4C	RT1P44HC-T112-1
Q201	057G 760 5B	PDTC144WK SOT346
Q201	057G 760 5C	RTIN44HC-T112-1
R207	061L0805103	CHIPR 10K OHM +-5% 1/10W
D924	093G 6432V	LL4148-GSO8
D923	093G 6432V	LL4148-GSO8
D903	093G 6432V	LL4148-GSO8
D210	093G 6432V	LL4148-GSO8
D201	093G3004 4	RB050L-40
	034FPF20P01	BOBBIN
IC903	056G 158 12	KIA431A-AT/P TO-92
C905	065G 2K152 1T6052	1.5NF/2KV Y5P +-10%
C905	065G 2K152 1T6285	1.5NF/2KV Y5P +-10%
C906	067G 2151014NT	100UF
C909	067G 2154704NT	47UF
C908	067G 3051007NT	EC105 10U 50V KEM50V

Diversity of T76CM9HMA2DZNCP compared with T76CM5HKA2DFNP		
Location	Part No. for TPV	Description
V000	015G8146 1	KEVSINGTON BRACKET
V000	040G 152509	RECYCLE LABEL
V000	040G 152512	RECYCLE LABEL
2	089G 728GAA 2D	SIGNAL CABLE
2	089G 728LAA 2D	SIGNAL CABLE
E095	095G8018 30 80	LVDS HARNESS
	750GLC70A7Q32D000D	PANEL LCD 17" EA07Q 373 D DELL CPT
	750GLC70A7Q33D000D	PANEL LCD 17" EA07Q 373 D DELL CPT
	PWPC1742CPD2P	POWER BOARD VER:A00
	Q44G3770700 3A	CARTON
M037	Q37G 535 3	hinge ass'y
C702	067G 2154797RV	EL CAP 4.7UF M 50V YXG
C702	067G405V479 7P	EC 105 4.7UF M 50V
CN405	088G 35315F HJ	SOC SUBD H 15P F
CN1	089G176J 8513	FFC CABLE KOTL
CN1	089G176S 8513	FFC CABLE SHAEY YOUNG
	Q52G6022 28	TAPE
CN204	033G8021 2D U	3.5mm WAFER
CN203	033G8021 2D U	3.5mm WAFER
CN202	033G8021 2D U	3.5mm WAFER
CN201	033G8021 2D U	3.5mm WAFER
IC902	056G 139 3	PC123FY2 BY SHARP
Q206	057G 761500	BTD1805D3
Q207	057G 761500	BTD1805D3
C903	063G 107474 5S	0.47UF 250VAC TEAPO
C903	063G107K474 HS	X2 CAP 0.47UF K 275VAC
C221	063G210J3342B2	0.33UF 250V PMS TAIYANG
C926	067G215Y471 3N	KY16VB470M-L 8*15MM
C926	067G215Y4713NV	KY16VB470M-CC3 8*15MM
L902	073G 174 65 H	LINE FILTER
L902	073G 174 65 LS	LINE FILTER BY LISHIN
L903	073G 253 91 L	CHOKE BY LI TA
L904	073G 253 91 L	CHOKE BY LI TA
L903	073G 253 91 T	CHOKE
L903	073G 253 91 LS	CHOKE BY LI SHIN
L904	073G 253 91 LS	CHOKE BY LI SHIN
L201	073G 253515 L	CHOKE COIL

L201	073G 253515 S	CHOLE
L901	073L 174 50 LH	LINE FILTER
L901	073L 174 50LSH	LINE FILTER
PT201	080GL17T 28 DN	X'FMR DARFON
PT202	080GL17T 28 DN	X'FMR DARFON
T901	080GL17T 29 L	ADAPTOR BY LITAI
T901	080GL17T 29 LS	ADAPTOR BY LISHIN
T901	080GL17T 29 YS	ADAPTOR BY YAO SHENG
	705GQ7K0 65002	A4 ASS'Y
	019F18173L1	SPRINGS
	019F18173R1	SPRINGS
U701	056G 585 4	AIC1117-33CY
Q706	057G 417 4	PMBS3904/PHILIPS-SMT(04)
Q703	057G 417 4	PMBS3904/PHILIPS-SMT(04)
Q701	057G 417 4	PMBS3904/PHILIPS-SMT(04)
Q402	057G 417 4	PMBS3904/PHILIPS-SMT(04)
Q403	057G 417 6	PMBS3906/PHILIPS-SMT(06)
Q401	057G 417 6	PMBS3906/PHILIPS-SMT(06)
Q702	057G 417 23 T	TRA PZT2907AT1G SOT-223
Q704	057G 763 1	A03401 SOT23 BY AOS(A1)
LED01	081G 14501 GP	LED GPTD1210YGC3-HB GUANGPU
ZD04	093G 39S 34 T	UDZS5.6B
ZD03	093G 39S 34 T	UDZS5.6B
ZD02	093G 39S 34 T	UDZS5.6B
ZD01	093G 39S 34 T	UDZS5.6B
ZD05	093G 39S 34 T	UDZS5.6B
ZD06	093G 39S 34 T	UDZS5.6B
Q901	057G 600 35	STP8NK80ZFP
Q901	057G 667 15	FQPF7N80 TO-220F
Q901	057G 749 1C	2SK3264
D922	093G 60217	FMB29L 10A 100V SANKEN
D922	093G 60236	DIODE FMB-26L TO-220 SANKEN
D922	093G 60240	YG802C06R TO-220F15
D921	093G 60249	FCH10U15 T0-220
D922	093G 60251	FCQ10U06
D922	093G 60507 A	DIODE SRF1060 TSC
C213	065G 3J1506EM	15PF/3KV
C212	065G 3J1506EM	15PF/3KV
C213	065G 3J1506ET	15PF 5% CC45SL 3KV TDK
C212	065G 3J1506ET	15PF 5% CC45SL 3KV TDK

C214	065G 3J1806EM	18PF +-5% 3KV SL
C211	065G 3J1806EM	18PF +-5% 3KV SL
C214	065G 3J1806ET	18PF 5% SL3KV TDK
C211	065G 3J1806ET	18PF 5% SL3KV TDK
C203	067G215D4714KV	EC 105 CAP 470UF M 25V
C931	067G215L102 4N	KY25VB1000M-L 12.5*20
C924	067G215L102 4N	KY25VB1000M-L 12.5*20
C923	067G215L102 4N	KY25VB1000M-L 12.5*20
C925	067G215L471 4N	KY25VB470M-L10*16
C203	067G215L471 4N	KY25VB470M-L10*16
C904	067G215S10115K	100UF 450V
C904	067G215S10115N	PAG450VB100-M-L18*35.5MM
C904	067G215Z10115K	ELCAP 100UF M 450V
DB901	093G 50460502	KBP206G
Q204	057G 417 4	PMBS3904/PHILIPS-SMT(04)
Q205	057G 417 6	PMBS3906/PHILIPS-SMT(06)
Q204	057G 417 4A	2SC3052-T112-1F
Q205	057G 417 6A	2SA1235A-T112-1F
Q202	057G 760 4B	PDTA144WK SOT346
Q202	057G 760 4C	RT1P44HC-T112-1
Q201	057G 760 5B	PDTC144WK SOT346
Q201	057G 760 5C	RTIN44HC-T112-1
R207	061L0805103	CHIPR 10K OHM +-5% 1/10W
D924	093G 6432V	LL4148-GSO8
D923	093G 6432V	LL4148-GSO8
D903	093G 6432V	LL4148-GSO8
D210	093G 6432V	LL4148-GSO8
D201	093G3004 4	RB050L-40
	034FPF20P01	BOBBIN
IC903	056G 158 12	KIA431A-AT/P TO-92
C905	065G 2K152 1T6052	1.5NF/2KV Y5P +-10%
C905	065G 2K152 1T6285	1.5NF/2KV Y5P +-10%
C906	067G 2151014NT	100UF
C909	067G 2154704NT	47UF
C908	067G 3051007NT	EC105 10U 50V KEM50V

Diversity of T76GM9HMA2DFNCP compared with T76CM5HKA2DFNP		
Location	Part No. for TPV	Description
V000	015G8146 1	KEVSINGTON BRACKET
V000	040G 152509	RECYCLE LABEL
V000	040G 152512	RECYCLE LABEL
E089B	089G 728GAA 2D	SIGNAL CABLE
E089B	089G 728LAA 2D	SIGNAL CABLE
E095	095G8018 30 80	LVDS HARNESS
	750GLG70E1T31D D	LPL 17" DELL CONSIGN PANEL
	CBPC780KG4DLP	MAIN BOARD VER:A00,V6C08
	PWPC1742LGD2P	POWER BOARD VER:A00
	Q44G3770700 3A	CARTON
	015G8187 1	MAIN FRAME-CPT/LPL
M037	Q37G 535 3	hinge ass'y
C702	067G 2154797RV	EL CAP 4.7UF M 50V YXG
C702	067G405V479 7P	EC 105 4.7UF M 50V
CN405	088G 35315F HJ	SOC SUBD H 15P F
	AIC780KG4DLP	MAIN BOARD
CN1	089G176J 8513	FFC CABLE KOTL
CN1	089G176S 8513	FFC CABLE SHAEY YOUNG
	Q52G6022 28	TAPE
CN204	033G8021 2D U	3.5mm WAFER
CN203	033G8021 2D U	3.5mm WAFER
CN202	033G8021 2D U	3.5mm WAFER
CN201	033G8021 2D U	3.5mm WAFER
IC902	056G 139 3	PC123FY2 BY SHARP
Q207	057G 761500	BTD1805D3
Q206	057G 761500	BTD1805D3
C903	063G 107474 5S	0.47UF 250VAC TEAPO
C903	063G107K474 HS	X2 CAP 0.47UF K 275VAC
C221	063G210J3342B2	0.33UF 250V PMS TAIYANG
C926	067G215Y471 3N	KY16VB470M-L 8*15MM
C926	067G215Y4713NV	KY16VB470M-CC3 8*15MM
L902	073G 174 65 H	LINE FILTER
L902	073G 174 65 LS	LINE FILTER BY LISHIN
L903	073G 253 91 L	CHOKE BY LI TA
L904	073G 253 91 L	CHOKE BY LI TA
L903	073G 253 91 LS	CHOKE BY LI SHIN
L904	073G 253 91 LS	CHOKE BY LI SHIN

L201	073G 253515 L	CHOKE COIL
L201	073G 253515 S	CHOLE
L901	073L 174 50 LH	LINE FILTER
L901	073L 174 50LSH	LINE FILTER
PT201	080GL17T 28 DN	X'FMR DARFON
PT202	080GL17T 28 DN	X'FMR DARFON
T901	080GL17T 29 L	ADAPTOR BY LITAI
T901	080GL17T 29 LS	ADAPTOR BY LISHIN
T901	080GL17T 29 YS	ADAPTOR BY YAO SHENG
	705GQ7K0 65002	A4 ASS'Y
	019F18173L1	SPRINGS
	019F18173R1	SPRINGS
U701	056G 585 4	AIC1117-33CY
Q706	057G 417 4	PMBS3904/PHILIPS-SMT(04)
Q703	057G 417 4	PMBS3904/PHILIPS-SMT(04)
Q701	057G 417 4	PMBS3904/PHILIPS-SMT(04)
Q402	057G 417 4	PMBS3904/PHILIPS-SMT(04)
Q403	057G 417 6	PMBS3906/PHILIPS-SMT(06)
Q401	057G 417 6	PMBS3906/PHILIPS-SMT(06)
Q702	057G 417 23 T	TRA PZT2907AT1G SOT-223
Q704	057G 763 1	A03401 SOT23 BY AOS(A1)
R450	061L0603103	CHIPR 10K OHM +-5% 1/16W
R451	061L0603103	CHIPR 10K OHM +-5% 1/16W
LED01	081G 14501 GP	LED GPTD1210YGC3-HB GUANGPU
ZD04	093G 39S 34 T	UDZS5.6B
ZD03	093G 39S 34 T	UDZS5.6B
ZD02	093G 39S 34 T	UDZS5.6B
ZD01	093G 39S 34 T	UDZS5.6B
ZD05	093G 39S 34 T	UDZS5.6B
ZD06	093G 39S 34 T	UDZS5.6B
Q901	057G 600 35	STP8NK80ZFP
Q901	057G 667 15	FQPF7N80 TO-220F
Q901	057G 749 1C	2SK3264
D922	093G 60217	FMB29L 10A 100V SANKEN
D922	093G 60236	DIODE FMB-26L TO-220 SANKEN
D922	093G 60240	YG802C06R TO-220F15
D921	093G 60249	FCH10U15 T0-220
D922	093G 60251	FCQ10U06
D922	093G 60507 A	DIODE SRF1060 TSC
C213	065G 3J1506EM	15PF/3KV

C212	065G 3J1506EM	15PF/3KV
C213	065G 3J1506ET	15PF 5% CC45SL 3KV TDK
C212	065G 3J1506ET	15PF 5% CC45SL 3KV TDK
C214	065G 3J1806EM	18PF +-5% 3KV SL
C211	065G 3J1806EM	18PF +-5% 3KV SL
C214	065G 3J1806ET	18PF 5% SL3KV TDK
C211	065G 3J1806ET	18PF 5% SL3KV TDK
C203	067G215D4714KV	EC 105 CAP 470UF M 25V
C931	067G215L102 4N	KY25VB1000M-L 12.5*20
C924	067G215L102 4N	KY25VB1000M-L 12.5*20
C923	067G215L102 4N	KY25VB1000M-L 12.5*20
C925	067G215L471 4N	KY25VB470M-L10*16
C203	067G215L471 4N	KY25VB470M-L10*16
C904	067G215S10115K	100UF 450V
C904	067G215S10115N	PAG450VB100-M-L18*35.5MM
C904	067G215Z10115K	ELCAP 100UF M 450V
DB901	093G 50460502	KBP206G
Q204	057G 417 4	PMBS3904/PHILIPS-SMT(04)
Q205	057G 417 6	PMBS3906/PHILIPS-SMT(06)
Q204	057G 417 4A	2SC3052-T112-1F
Q205	057G 417 6A	2SA1235A-T112-1F
Q202	057G 760 4B	PDTA144WK SOT346
Q202	057G 760 4C	RT1P44HC-T112-1
Q201	057G 760 5B	PDTC144WK SOT346
Q201	057G 760 5C	RTIN44HC-T112-1
R207	061L0805103	CHIPR 10K OHM +-5% 1/10W
D924	093G 6432V	LL4148-GSO8
D923	093G 6432V	LL4148-GSO8
D903	093G 6432V	LL4148-GSO8
D210	093G 6432V	LL4148-GSO8
D201	093G3004 4	RB050L-40
	034FPF20P01	BOBBIN
IC903	056G 158 12	KIA431A-AT/P TO-92
C905	065G 2K152 1T6052	1.5NF/2KV Y5P +-10%
C905	065G 2K152 1T6285	1.5NF/2KV Y5P +-10%
C906	067G 2151014NT	100UF
C909	067G 2154704NT	47UF
C908	067G 3051007NT	EC105 10U 50V KEM50V



Diversity of T76GM9HBA2DFNCP compared with T76CM5HKA2DFNP		
Location	Part No. for TPV	Description
V000	015G8146 1	KEVSINGTON BRACKET
V000	040G 152509	RECYCLE LABEL
V000	040G 152512	RECYCLE LABEL
E089B	089G 728GAA 2D	SIGNAL CABLE
E089B	089G 728LAA 2D	SIGNAL CABLE
E095	095G8018 30 80	LVDS HARNESS
	0M1G 330 4128 CR3	SCREW
	0M1G1740 6128 CR3	SCREW
	0M1G2940 10225 CR3	SCREW
	750GLG70E1T31D D	LPL 17" DELL CONSIGN PANEL
	CBPC780KG4DLP	MAIN BOARD VER:A00,V6C08
	PWPC1742LGD2P	POWER BOARD VER:A00
	015G8187 1	MAIN FRAME-CPT/LPL
	0M1G 130 4 47 CR3	SCREW
	0M1G 140 8225 CR3	SCREW
	0Q1G 130 8 47 CR3	SCREW
	Q15G8188 1 D	BASE BKT
	Q20G 030 1 D	DIECASTING
M037	Q37G 535 3	hinge ass'y
C702	067G 2154797RV	EL CAP 4.7UF M 50V YXG
C702	067G405V479 7P	EC 105 4.7UF M 50V
CN405	088G 35315F HJ	SOC SUBD H 15P F
	AIC780KG4DLP	MAIN BOARD
CN1	089G176J 8513	FFC CABLE KOTL
CN1	089G176S 8513	FFC CABLE SHAEY YOUNG
	Q52G6022 28	TAPE
CN204	033G8021 2D U	3.5mm WAFER
CN203	033G8021 2D U	3.5mm WAFER
CN202	033G8021 2D U	3.5mm WAFER
CN201	033G8021 2D U	3.5mm WAFER
IC902	056G 139 3	PC123FY2 BY SHARP
Q207	057G 761500	BTD1805D3
Q206	057G 761500	BTD1805D3
C903	063G 107474 5S	0.47UF 250VAC TEAPO
C903	063G107K474 HS	X2 CAP 0.47UF K 275VAC
C221	063G210J3342B2	0.33UF 250V PMS TAIYANG
C926	067G215Y471 3N	KY16VB470M-L 8*15MM
C926	067G215Y4713NV	KY16VB470M-CC3 8*15MM

L902	073G 174 65 H	LINE FILTER
L902	073G 174 65 LS	LINE FILTER BY LISHIN
L903	073G 253 91 L	CHOKE BY LI TA
L904	073G 253 91 L	CHOKE BY LI TA
L903	073G 253 91 LS	CHOKE BY LI SHIN
L904	073G 253 91 LS	CHOKE BY LI SHIN
L201	073G 253515 L	CHOKE COIL
L201	073G 253515 S	CHOLE
L901	073L 174 50 LH	LINE FILTER
L901	073L 174 50LSH	LINE FILTER
PT201	080GL17T 28 DN	X'FMR DARFON
PT202	080GL17T 28 DN	X'FMR DARFON
T901	080GL17T 29 L	ADAPTOR BY LITAI
T901	080GL17T 29 LS	ADAPTOR BY LISHIN
T901	080GL17T 29 YS	ADAPTOR BY YAO SHENG
	705GQ7K0 65002	A4 ASS'Y
	019F18173L1	SPRINGS
	019F18173R1	SPRINGS
U701	056G 585 4	AIC1117-33CY
Q706	057G 417 4	PMBS3904/PHILIPS-SMT(04)
Q703	057G 417 4	PMBS3904/PHILIPS-SMT(04)
Q701	057G 417 4	PMBS3904/PHILIPS-SMT(04)
Q402	057G 417 4	PMBS3904/PHILIPS-SMT(04)
Q403	057G 417 6	PMBS3906/PHILIPS-SMT(06)
Q401	057G 417 6	PMBS3906/PHILIPS-SMT(06)
Q702	057G 417 23 T	TRA PZT2907AT1G SOT-223
Q704	057G 763 1	A03401 SOT23 BY AOS(A1)
R450	061L0603103	CHIPR 10K OHM +-5% 1/16W
R451	061L0603103	CHIPR 10K OHM +-5% 1/16W
LED01	081G 14501 GP	LED GPTD1210YGC3-HB GUANGPU
ZD05	093G 39S 34 T	UDZS5.6B
ZD04	093G 39S 34 T	UDZS5.6B
ZD03	093G 39S 34 T	UDZS5.6B
ZD02	093G 39S 34 T	UDZS5.6B
ZD01	093G 39S 34 T	UDZS5.6B
ZD06	093G 39S 34 T	UDZS5.6B
Q901	057G 600 35	STP8NK80ZFP
Q901	057G 667 15	FQPF7N80 TO-220F
Q901	057G 749 1C	2SK3264
	0M1G1730 8128 CR3	SCREW

	0M1G 330 4128 CR3	SCREW
D922	093G 60217	FMB29L 10A 100V SANKEN
D922	093G 60236	DIODE FMB-26L TO-220 SANKEN
D922	093G 60240	YG802C06R TO-220F15
D921	093G 60249	FCH10U15 T0-220
D922	093G 60251	FCQ10U06
D922	093G 60507 A	DIODE SRF1060 TSC
	0M1G1730 8128 CR3	SCREW
C213	065G 3J1506EM	15PF/3KV
C212	065G 3J1506EM	15PF/3KV
C213	065G 3J1506ET	15PF 5% CC45SL 3KV TDK
C212	065G 3J1506ET	15PF 5% CC45SL 3KV TDK
C214	065G 3J1806EM	18PF +-5% 3KV SL
C211	065G 3J1806EM	18PF +-5% 3KV SL
C211	065G 3J1806ET	18PF 5% SL3KV TDK
C214	065G 3J1806ET	18PF 5% SL3KV TDK
C203	067G215D4714KV	EC 105 CAP 470UF M 25V
C931	067G215L102 4N	KY25VB1000M-L 12.5*20
C924	067G215L102 4N	KY25VB1000M-L 12.5*20
C923	067G215L102 4N	KY25VB1000M-L 12.5*20
C203	067G215L471 4N	KY25VB470M-L10*16
C925	067G215L471 4N	KY25VB470M-L10*16
C904	067G215S10115K	100UF 450V
C904	067G215S10115N	PAG450VB100-M-L18*35.5MM
C904	067G215Z10115K	ELCAP 100UF M 450V
DB901	093G 50460502	KBP206G
Q204	057G 417 4	PMBS3904/PHILIPS-SMT(04)
Q205	057G 417 6	PMBS3906/PHILIPS-SMT(06)
Q204	057G 417 4A	2SC3052-T112-1F
Q205	057G 417 6A	2SA1235A-T112-1F
Q202	057G 760 4B	PDTA144WK SOT346
Q202	057G 760 4C	RT1P44HC-T112-1
Q201	057G 760 5B	PDTC144WK SOT346
Q201	057G 760 5C	RTIN44HC-T112-1
R207	061L0805103	CHIPR 10K OHM +-5% 1/10W
D923	093G 6432V	LL4148-GSO8
D903	093G 6432V	LL4148-GSO8
D210	093G 6432V	LL4148-GSO8
D924	093G 6432V	LL4148-GSO8
D201	093G3004 4	RB050L-40

	034FPF20P01	BOBBIN
IC903	056G 158 12	KIA431A-AT/P TO-92
C905	065G 2K152 1T6052	1.5NF/2KV Y5P +-10%
C905	065G 2K152 1T6285	1.5NF/2KV Y5P +-10%
C906	067G 2151014NT	100UF
C909	067G 2154704NT	47UF
C908	067G 3051007NT	EC105 10U 50V KEM50V

Diversity of T76AM9HKA2DFNP compared with T76CM5HKA2DFNP		
Location	Part No. for TPV	Description
V000	015G8146 1	KEVSINGTON BRACKET
V000	040G 152509	RECYCLE LABEL
V000	040G 152512	RECYCLE LABEL
E089B	089G 728GAA 2D	SIGNAL CABLE
E089B	089G 728LAA 2D	SIGNAL CABLE
E089A	089G402A18NISD	POWER CORD
E089A	089G402A18NYHD	POWER CORD
E095	095G8018 30 80	LVDS HARNESS
	0M1G 330 4128 CR3	SCREW
	0M1G1740 6128 CR3	SCREW
	0M1G2940 10225 CR3	SCREW
	750GLU70G0141Z000D	PANEL LCD 17" EG01 VA0 ZBD DELL AUO
	750GLU70G0142Z000D	PANEL LCD 17" EG01 VA0 ZBD DELL AUO
	CBPC6AM7DLQP	MAIN BOARD VER:A00,V6C08
	PWPC1742AUD2H	POWER BOARD VER:A00
	015G8187 2	MAIN FRAME-AU
	0M1G 130 4 47 CR3	SCREW
	0M1G 140 8225 CR3	SCREW
	0Q1G 130 8 47 CR3	SCREW
	Q15G8188 1 D	BASE BKT
	Q20G 030 1 D	DIECASTING
M037	Q37G 535 3	higne ass'y
C702	067G 2154797RV	EL CAP 4.7UF M 50V YXG
C702	067G405V479 7P	EC 105 4.7UF M 50V
CN405	088G 35315F HJ	SOC SUBD H 15P F
CN1	089G176J 8513	FFC CABLE KOTL
CN1	089G176S 8513	FFC CABLE SHAEY YOUNG
	Q52G6022 28	TAPE
CN204	033G8021 2E U	WAFER

CN203	033G8021 2E U	WAFER
CN202	033G8021 2E U	WAFER
CN201	033G8021 2E U	WAFER
IC902	056G 139 3	PC123FY2 BY SHARP
C903	063G 107474 5S	0.47UF 250VAC TEAPO
C903	063G107K474 HS	X2 CAP 0.47UF K 275VAC
C221	063G210J3342B2	0.33UF 250V PMS TAIYANG
C926	067G215Y471 3N	KY16VB470M-L 8*15MM
C926	067G215Y4713NV	KY16VB470M-CC3 8*15MM
L902	073G 174 65 H	LINE FILTER
L902	073G 174 65 LS	LINE FILTER BY LISHIN
L904	073G 253 91 L	CHOKE BY LI TA
L903	073G 253 91 L	CHOKE BY LI TA
L903	073G 253 91 LS	CHOKE BY LI SHIN
L904	073G 253 91 LS	CHOKE BY LI SHIN
L201	073G 253515 L	CHOKE COIL
L201	073G 253515 S	CHOLE
L901	073L 174 50 LH	LINE FILTER
L901	073L 174 50LSH	LINE FILTER
PT202	080GL17T 28 DN	X'FMR DARFON
PT201	080GL17T 28 DN	X'FMR DARFON
T901	080GL17T 29 L	ADAPTOR BY LITAI
T901	080GL17T 29 LS	ADAPTOR BY LISHIN
T901	080GL17T 29 YS	ADAPTOR BY YAO SHENG
R908	705G 560 61 06	R903 ASS'Y (ROHS)
	705GQ7K0 65004	A4 ASS'Y
	019F18173L1	SPRINGS
	019F18173R1	SPRINGS
U701	056G 585 4	AIC1117-33CY
Q706	057G 417 4	PMBS3904/PHILIPS-SMT(04)
Q703	057G 417 4	PMBS3904/PHILIPS-SMT(04)
Q701	057G 417 4	PMBS3904/PHILIPS-SMT(04)
Q402	057G 417 4	PMBS3904/PHILIPS-SMT(04)
Q403	057G 417 6	PMBS3906/PHILIPS-SMT(06)
Q401	057G 417 6	PMBS3906/PHILIPS-SMT(06)
Q403	057G 417 6 T	PMBS3906
Q401	057G 417 6 T	PMBS3906
Q704	057G 763 1	A03401 SOT23 BY AOS(A1)
R450	061L0603103	CHIPR 10K OHM +-5% 1/16W
R451	061L0603103	CHIPR 10K OHM +-5% 1/16W

LED01	081G 14501 GP	LED GPTD1210YGC3-HB GUANGPU
ZD04	093G 39S 34 T	UDZS5.6B
ZD03	093G 39S 34 T	UDZS5.6B
ZD02	093G 39S 34 T	UDZS5.6B
ZD01	093G 39S 34 T	UDZS5.6B
ZD05	093G 39S 34 T	UDZS5.6B
ZD06	093G 39S 34 T	UDZS5.6B
R903	061G152M10458F	100K OHM 5% 2W
Q901	057G 600 35	STP8NK80ZFP
Q901	057G 667 15	FQPF7N80 TO-220F
Q901	057G 749 1C	2SK3264
	0M1G1730 8128 CR3	SCREW
	0M1G 330 4128 CR3	SCREW
D922	093G 60217	FMB29L 10A 100V SANKEN
D922	093G 60236	DIODE FMB-26L TO-220 SANKEN
D922	093G 60240	YG802C06R TO-220F15
D921	093G 60249	FCH10U15 T0-220
D922	093G 60251	FCQ10U06
D922	093G 60507 A	DIODE SRF1060 TSC
	0M1G1730 8128 CR3	SCREW
C214	065G 3J1806EM	18PF +-5% 3KV SL
C211	065G 3J1806EM	18PF +-5% 3KV SL
C214	065G 3J1806ET	18PF 5% SL3KV TDK
C211	065G 3J1806ET	18PF 5% SL3KV TDK
C213	065G 3J2206ET	22PF 5% SL 3KV TDK
C203	067G215D4714KV	EC 105 CAP 470UF M 25V
C931	067G215L102 4N	KY25VB1000M-L 12.5*20
C924	067G215L102 4N	KY25VB1000M-L 12.5*20
C923	067G215L102 4N	KY25VB1000M-L 12.5*20
C925	067G215L471 4N	KY25VB470M-L10*16
C203	067G215L471 4N	KY25VB470M-L10*16
C904	067G215S10115K	100UF 450V
C904	067G215S10115N	PAG450VB100-M-L18*35.5MM
C904	067G215Z10115K	ELCAP 100UF M 450V
DB901	093G 50460 8P	BRIDGE DIODE 2KBP08M PANJIT
DB901	093G 50460502	KBP206G
Q204	057G 417 4	PMBS3904/PHILIPS-SMT(04)
Q205	057G 417 6	PMBS3906/PHILIPS-SMT(06)
Q204	057G 417 4A	2SC3052-T112-1F
Q205	057G 417 6A	2SA1235A-T112-1F

Q202	057G 760 4B	PDTA144WK SOT346
Q202	057G 760 4C	RT1P44HC-T112-1
Q201	057G 760 5B	PDTC144WK SOT346
Q201	057G 760 5C	RTIN44HC-T112-1
R207	061L0805103	CHIPR 10K OHM +-5% 1/10W
D210	093G 6432V	LL4148-GSO8
D903	093G 6432V	LL4148-GSO8
D923	093G 6432V	LL4148-GSO8
D924	093G 6432V	LL4148-GSO8
ZD903	093G 39S 70 T	TPSMP91A-E3
D201	093G3004 4	RB050L-40
	PW1742AUD2AIH	POWER BOARD FOR AI
	034FPF20P01	BOBBIN
IC903	056G 158 12	KIA431A-AT/P TO-92
C905	065G 2K152 1T6052	1.5NF/2KV Y5P +-10%
C905	065G 2K152 1T6285	1.5NF/2KV Y5P +-10%
C906	067G 2151014NT	100UF
C909	067G 2154704NT	47UF
C908	067G 3051007NT	EC105 10U 50V KEM50V

<b>Diversity of T76AM9HKA2DZNP compared with T76CM5HKA2DFNP</b>		
<b>Location</b>	<b>Part No. for TPV</b>	<b>Description</b>
V000	015G8146 1	KEVSINGTON BRACKET
V000	040G 152509	RECYCLE LABEL
V000	040G 152512	RECYCLE LABEL
E089B	089G 728GAA 2D	SIGNAL CABLE
E089B	089G 728LAA 2D	SIGNAL CABLE
E089A	089G402A18NISD	POWER CORD
E089A	089G402A18NYHD	POWER CORD
E095	095G8018 30 80	LVDS HARNESS
	0M1G 330 4128 CR3	SCREW
	0M1G1740 6128 CR3	SCREW
	0M1G2940 10225 CR3	SCREW
	705G780KM34 02	MAIN FRAME ASS'Y
	705G780KP34 47	STAND ASS'Y
	750GLU70G0171Z000D	PANEL LCD 17" EG01 VAA ZBD DELL AUO
	750GLU70G0172Z000D	PANEL LCD 17" EG01 VAA ZBD DELL AUO
	CBPC6AM7DLQP	MAIN BOARD VER:A00,V6C08
	PWPC1742AUD2H	POWER BOARD VER:A00

	015G8187 2	MAIN FRAME-AU
	0M1G 130 4 47 CR3	SCREW
	0M1G 140 8225 CR3	SCREW
	0Q1G 130 8 47 CR3	SCREW
	Q15G8188 1 D	BASE BKT
	Q20G 030 1 D	DIECASTING
M037	Q37G 535 3	higne ass'y
C702	067G 2154797RV	EL CAP 4.7UF M 50V YXG
C702	067G405V479 7P	EC 105 4.7UF M 50V
CN405	088G 35315F HJ	SOC SUBD H 15P F
CN1	089G176J 8513	FFC CABLE KOTL
CN1	089G176S 8513	FFC CABLE SHAEY YOUNG
	Q52G6022 28	TAPE
CN204	033G8021 2E U	WAFER
CN203	033G8021 2E U	WAFER
CN202	033G8021 2E U	WAFER
CN201	033G8021 2E U	WAFER
IC902	056G 139 3	PC123FY2 BY SHARP
C903	063G 107474 5S	0.47UF 250VAC TEAPO
C903	063G107K474 HS	X2 CAP 0.47UF K 275VAC
C221	063G210J3342B2	0.33UF 250V PMS TAIYANG
C926	067G215Y471 3N	KY16VB470M-L 8*15MM
C926	067G215Y4713NV	KY16VB470M-CC3 8*15MM
L902	073G 174 65 H	LINE FILTER
L902	073G 174 65 LS	LINE FILTER BY LISHIN
L904	073G 253 91 L	CHOKE BY LI TA
L903	073G 253 91 L	CHOKE BY LI TA
L903	073G 253 91 LS	CHOKE BY LI SHIN
L904	073G 253 91 LS	CHOKE BY LI SHIN
L201	073G 253515 L	CHOKE COIL
L201	073G 253515 S	CHOLE
L901	073L 174 50 LH	LINE FILTER
L901	073L 174 50LSH	LINE FILTER
PT202	080GL17T 28 DN	X'FMR DARFON
PT201	080GL17T 28 DN	X'FMR DARFON
T901	080GL17T 29 L	ADAPTOR BY LITAI
T901	080GL17T 29 LS	ADAPTOR BY LISHIN
T901	080GL17T 29 YS	ADAPTOR BY YAO SHENG
R908	705G 560 61 06	R903 ASS'Y (ROHS)
	705GQ7K0 65004	A4 ASS'Y



	019F18173L1	SPRINGS
	019F18173R1	SPRINGS
U701	056G 585 4	AIC1117-33CY
Q706	057G 417 4	PMBS3904/PHILIPS-SMT(04)
Q703	057G 417 4	PMBS3904/PHILIPS-SMT(04)
Q701	057G 417 4	PMBS3904/PHILIPS-SMT(04)
Q402	057G 417 4	PMBS3904/PHILIPS-SMT(04)
Q403	057G 417 6	PMBS3906/PHILIPS-SMT(06)
Q401	057G 417 6	PMBS3906/PHILIPS-SMT(06)
Q403	057G 417 6 T	PMBS3906
Q401	057G 417 6 T	PMBS3906
Q704	057G 763 1	A03401 SOT23 BY AOS(A1)
R450	061L0603103	CHIPR 10K OHM +-5% 1/16W
R451	061L0603103	CHIPR 10K OHM +-5% 1/16W
LED01	081G 14501 GP	LED GPTD1210YGC3-HB GUANGPU
ZD04	093G 39S 34 T	UDZS5.6B
ZD03	093G 39S 34 T	UDZS5.6B
ZD02	093G 39S 34 T	UDZS5.6B
ZD01	093G 39S 34 T	UDZS5.6B
ZD05	093G 39S 34 T	UDZS5.6B
ZD06	093G 39S 34 T	UDZS5.6B
R903	061G152M10458F	100K OHM 5% 2W
Q901	057G 600 35	STP8NK80ZFP
Q901	057G 667 15	FQPF7N80 TO-220F
Q901	057G 749 1C	2SK3264
	0M1G1730 8128 CR3	SCREW
	0M1G 330 4128 CR3	SCREW
D922	093G 60217	FMB29L 10A 100V SANKEN
D922	093G 60236	DIODE FMB-26L TO-220 SANKEN
D922	093G 60240	YG802C06R TO-220F15
D921	093G 60249	FCH10U15 T0-220
D922	093G 60251	FCQ10U06
D922	093G 60507 A	DIODE SRF1060 TSC
	0M1G1730 8128 CR3	SCREW
C214	065G 3J1806EM	18PF +-5% 3KV SL
C211	065G 3J1806EM	18PF +-5% 3KV SL
C214	065G 3J1806ET	18PF 5% SL3KV TDK
C211	065G 3J1806ET	18PF 5% SL3KV TDK
C213	065G 3J2206ET	22PF 5% SL 3KV TDK
C203	067G215D4714KV	EC 105 CAP 470UF M 25V

C931	067G215L102 4N	KY25VB1000M-L 12.5*20
C924	067G215L102 4N	KY25VB1000M-L 12.5*20
C923	067G215L102 4N	KY25VB1000M-L 12.5*20
C925	067G215L471 4N	KY25VB470M-L10*16
C203	067G215L471 4N	KY25VB470M-L10*16
C904	067G215S10115K	100UF 450V
C904	067G215S10115N	PAG450VB100-M-L18*35.5MM
C904	067G215Z10115K	ELCAP 100UF M 450V
DB901	093G 50460 8P	BRIDGE DIODE 2KBP08M PANJIT
DB901	093G 50460502	KBP206G
Q204	057G 417 4	PMBS3904/PHILIPS-SMT(04)
Q205	057G 417 6	PMBS3906/PHILIPS-SMT(06)
Q204	057G 417 4A	2SC3052-T112-1F
Q205	057G 417 6A	2SA1235A-T112-1F
Q202	057G 760 4B	PDTA144WK SOT346
Q202	057G 760 4C	RT1P44HC-T112-1
Q201	057G 760 5B	PDTC144WK SOT346
Q201	057G 760 5C	RTIN44HC-T112-1
R207	061L0805103	CHIPR 10K OHM +-5% 1/10W
D210	093G 6432V	LL4148-GSO8
D903	093G 6432V	LL4148-GSO8
D923	093G 6432V	LL4148-GSO8
D924	093G 6432V	LL4148-GSO8
ZD903	093G 39S 70 T	TPSMP91A-E3
D201	093G3004 4	RB050L-40
	PW1742AUD2AIH	POWER BOARD FOR AI
	034FPF20P01	BOBBIN
IC903	056G 158 12	KIA431A-AT/P TO-92
C905	065G 2K152 1T6052	1.5NF/2KV Y5P +-10%
C905	065G 2K152 1T6285	1.5NF/2KV Y5P +-10%
C906	067G 2151014NT	100UF
C909	067G 2154704NT	47UF
C908	067G 3051007NT	EC105 10U 50V KEM50V

<b>Diversity of T76SM9HKA2DFNP compared with T76CM5HKA2DFNP</b>		
<b>Location</b>	<b>Part No. for TPV</b>	<b>Description</b>
V000	015G8146 1	KEYSINGTON BRACKET
V000	040G 152509	RECYCLE LABEL
V000	040G 152512	RECYCLE LABEL
E089B	089G 728GAA 2D	SIGNAL CABLE
E089B	089G 728LAA 2D	SIGNAL CABLE
E089A	089G402A18NISD	POWER CORD
E089A	089G402A18NYHD	POWER CORD
E095	095G8018 30 80	LVDS HARNESS
	0M1G 330 4128 CR3	SCREW
	0M1G1740 6128 CR3	SCREW
	0M1G2940 10225 CR3	SCREW
	705G780KM34 05	MAIN FRAME ASS'Y
	705G780KP34 47	STAND ASS'Y
	750GLS70U2112Z	SEC 17" ZBD PANEL
	CBPC6SM9DLQP	MAIN BOARD VER:A00,V6C08
	PWPC1742SED2H	POWER BOARD VER:A00
	015G8187 5	MAIN FRAME
	0M1G 130 4 47 CR3	SCREW
	0M1G 140 8225 CR3	SCREW
	0Q1G 130 8 47 CR3	SCREW
	Q15G8188 1 D	BASE BKT
	Q20G 030 1 D	DIECASTING
M037	Q37G 535 3	higne ass'y
C702	067G 2154797RV	EL CAP 4.7UF M 50V YXG
C702	067G405V479 7P	EC 105 4.7UF M 50V
CN405	088G 35315F HJ	SOC SUBD H 15P F
CN1	089G176J 8513	FFC CABLE KOTL
CN1	089G176S 8513	FFC CABLE SHAEY YOUNG
	Q52G6022 28	TAPE
CN204	033G8021 2E U	WAFER
CN203	033G8021 2E U	WAFER
CN202	033G8021 2E U	WAFER
CN201	033G8021 2E U	WAFER
IC902	056G 139 3	PC123FY2 BY SHARP
C903	063G 107474 5S	0.47UF 250VAC TEAPO
C903	063G107K474 HS	X2 CAP 0.47UF K 275VAC
C221	063G210J3342B2	0.33UF 250V PMS TAIYANG

C926	067G215Y471 3N	KY16VB470M-L 8*15MM
C926	067G215Y4713NV	KY16VB470M-CC3 8*15MM
L902	073G 174 65 H	LINE FILTER
L902	073G 174 65 LS	LINE FILTER BY LISHIN
L904	073G 253 91 L	CHOKE BY LI TA
L903	073G 253 91 L	CHOKE BY LI TA
L903	073G 253 91 T	CHOKE
L903	073G 253 91 LS	CHOKE BY LI SHIN
L904	073G 253 91 LS	CHOKE BY LI SHIN
L201	073G 253515 L	CHOKE COIL
L201	073G 253515 S	CHOLE
L901	073L 174 50 LH	LINE FILTER
L901	073L 174 50LSH	LINE FILTER
PT201	080GL17T 28 DN	X'FMR DARFON
PT202	080GL17T 28 DN	X'FMR DARFON
T901	080GL17T 29 L	ADAPTOR BY LITAI
T901	080GL17T 29 LS	ADAPTOR BY LISHIN
T901	080GL17T 29 YS	ADAPTOR BY YAO SHENG
	705GQ7K0 65003	A4 ASS'Y
	019F18173L1	SPRINGS
	019F18173R1	SPRINGS
U701	056G 585 4	AIC1117-33PY ANALOG
Q706	057G 417 4	PMBS3904/PHILIPS-SMT(04)
Q703	057G 417 4	PMBS3904/PHILIPS-SMT(04)
Q701	057G 417 4	PMBS3904/PHILIPS-SMT(04)
Q402	057G 417 4	PMBS3904/PHILIPS-SMT(04)
Q403	057G 417 6	PMBS3906/PHILIPS-SMT(06)
Q401	057G 417 6	PMBS3906/PHILIPS-SMT(06)
Q702	057G 417 23 T	TRA PZT2907AT1G SOT-223
Q702	057G 41717B T	tra PZT2907A PHILIPS
Q704	057G 763 1	A03401 SOT23 BY AOS(A1)
R450	061L0603103	CHIPR 10K OHM +-5% 1/16W
R451	061L0603103	CHIPR 10K OHM +-5% 1/16W
LED01	081G 14501 GP	LED GPTD1210YGC3-HB GUANGPU
ZD04	093G 39S 34 T	UDZS5.6B
ZD03	093G 39S 34 T	UDZS5.6B
ZD02	093G 39S 34 T	UDZS5.6B
ZD01	093G 39S 34 T	UDZS5.6B
ZD05	093G 39S 34 T	UDZS5.6B
ZD06	093G 39S 34 T	UDZS5.6B

Q901	057G 600 35	STP8NK80ZFP
Q901	057G 667 15	FQPF7N80 TO-220F
Q901	057G 749 1C	2SK3264
	0M1G1730 8128 CR3	SCREW
	0M1G 330 4128 CR3	SCREW
D922	093G 60217	FMB29L 10A 100V SANKEN
D922	093G 60236	DIODE FMB-26L TO-220 SANKEN
D922	093G 60240	YG802C06R TO-220F15
D921	093G 60249	FCH10U15 T0-220
D922	093G 60251	FCQ10U06
D922	093G 60507 A	DIODE SRF1060 TSC
	0M1G1730 8128 CR3	SCREW
C214	065G 3J2206ET	22PF 5% SL 3KV TDK
C213	065G 3J2206ET	22PF 5% SL 3KV TDK
C211	065G 3J2206ET	22PF 5% SL 3KV TDK
C203	067G215D4714KV	EC 105 CAP 470UF M 25V
C931	067G215L102 4N	KY25VB1000M-L 12.5*20
C924	067G215L102 4N	KY25VB1000M-L 12.5*20
C923	067G215L102 4N	KY25VB1000M-L 12.5*20
C925	067G215L471 4N	KY25VB470M-L10*16
C203	067G215L471 4N	KY25VB470M-L10*16
C904	067G215S10115K	100UF 450V
C904	067G215S10115N	PAG450VB100-M-L18*35.5MM
C904	067G215Z10115K	ELCAP 100UF M 450V
DB901	093G 50460 8P	BRIDGE DIODE 2KBP08M PANJIT
DB901	093G 50460502	KBP206G
Q204	057G 417 4	PMBS3904/PHILIPS-SMT(04)
Q205	057G 417 6	PMBS3906/PHILIPS-SMT(06)
Q204	057G 417 4A	2SC3052-T112-1F
Q205	057G 417 6A	2SA1235A-T112-1F
Q202	057G 760 4B	PDTA144WK SOT346
Q202	057G 760 4C	RT1P44HC-T112-1
Q201	057G 760 5B	PDTC144WK SOT346
Q201	057G 760 5C	RTIN44HC-T112-1
R207	061L0805103	CHIPR 10K OHM +-5% 1/10W
R230	061L0805511	CHIPR 510 OHM 1/8W
D924	093G 6432V	LL4148-GSO8
D923	093G 6432V	LL4148-GSO8
D903	093G 6432V	LL4148-GSO8
D210	093G 6432V	LL4148-GSO8

D201	093G3004 4	RB050L-40
	PW1742SED2AIH	POWER BOARD FOR AI
	034FPF20P01	BOBBIN
IC903	056G 158 12	KIA431A-AT/P TO-92
C905	065G 2K152 1T6052	1.5NF/2KV Y5P +-10%
C905	065G 2K152 1T6285	1.5NF/2KV Y5P +-10%
C906	067G 2151014NT	100UF
C909	067G 2154704NT	47UF
C908	067G 3051007NT	EC105 10U 50V KEM50V

Diversity of T76SM9HKA2DZNP compared with T76CM5HKA2DFNP		
Location	Part No. for TPV	Description
V000	015G8146 1	KEVSINGTON BRACKET
V000	040G 152509	RECYCLE LABEL
V000	040G 152512	RECYCLE LABEL
E089B	089G 728GAA 2D	SIGNAL CABLE
E089B	089G 728LAA 2D	SIGNAL CABLE
E089A	089G402A18NISD	POWER CORD
E089A	089G402A18NYHD	POWER CORD
E095	095G8018 30 80	LVDS HARNESS
	0M1G 330 4128 CR3	SCREW
	0M1G1740 6128 CR3	SCREW
	0M1G2940 10225 CR3	SCREW
	705G780KM34 05	MAIN FRAME ASS'Y
	705G780KP34 47	STAND ASS'Y
	750GLS70U2122Z	SEC 17" EU-L21 CLA ZBD PANEL
	CBPC6SM9DLQP	MAIN BOARD VER:A00,V6C08
	PWPC1742SED2H	POWER BOARD VER:A00
	015G8187 5	MAIN FRAME
	0M1G 130 4 47 CR3	SCREW
	0M1G 140 8225 CR3	SCREW
	0Q1G 130 8 47 CR3	SCREW
	Q15G8188 1 D	BASE BKT
	Q20G 030 1 D	DIECASTING
M037	Q37G 535 3	higne ass'y
C702	067G 2154797RV	EL CAP 4.7UF M 50V YXG
C702	067G405V479 7P	EC 105 4.7UF M 50V
CN405	088G 35315F HJ	SOC SUBD H 15P F
CN1	089G176J 8513	FFC CABLE KOTL

CN1	089G176S 8513	FFC CABLE SHAEY YOUNG
	Q52G6022 28	TAPE
CN204	033G8021 2E U	WAFER
CN203	033G8021 2E U	WAFER
CN202	033G8021 2E U	WAFER
CN201	033G8021 2E U	WAFER
IC902	056G 139 3	PC123FY2 BY SHARP
C903	063G 107474 5S	0.47UF 250VAC TEAPO
C903	063G107K474 HS	X2 CAP 0.47UF K 275VAC
C221	063G210J3342B2	0.33UF 250V PMS TAIYANG
C926	067G215Y471 3N	KY16VB470M-L 8*15MM
C926	067G215Y4713NV	KY16VB470M-CC3 8*15MM
L902	073G 174 65 H	LINE FILTER
L902	073G 174 65 LS	LINE FILTER BY LISHIN
L904	073G 253 91 L	CHOKE BY LI TA
L903	073G 253 91 L	CHOKE BY LI TA
L903	073G 253 91 T	CHOKE
L903	073G 253 91 LS	CHOKE BY LI SHIN
L904	073G 253 91 LS	CHOKE BY LI SHIN
L201	073G 253515 L	CHOKE COIL
L201	073G 253515 S	CHOLE
L901	073L 174 50 LH	LINE FILTER
L901	073L 174 50LSH	LINE FILTER
PT201	080GL17T 28 DN	X'FMR DARFON
PT202	080GL17T 28 DN	X'FMR DARFON
T901	080GL17T 29 L	ADAPTOR BY LITAI
T901	080GL17T 29 LS	ADAPTOR BY LISHIN
T901	080GL17T 29 YS	ADAPTOR BY YAO SHENG
	705GQ7K0 65003	A4 ASS'Y
	019F18173L1	SPRINGS
	019F18173R1	SPRINGS
U701	056G 585 4	AIC1117-33PY ANALOG
Q706	057G 417 4	PMBS3904/PHILIPS-SMT(04)
Q703	057G 417 4	PMBS3904/PHILIPS-SMT(04)
Q701	057G 417 4	PMBS3904/PHILIPS-SMT(04)
Q402	057G 417 4	PMBS3904/PHILIPS-SMT(04)
Q403	057G 417 6	PMBS3906/PHILIPS-SMT(06)
Q401	057G 417 6	PMBS3906/PHILIPS-SMT(06)
Q702	057G 417 23 T	TRA PZT2907AT1G SOT-223
Q702	057G 41717B T	tra PZT2907A PHILIPS

Q704	057G 763 1	A03401 SOT23 BY AOS(A1)
R450	061L0603103	CHIPR 10K OHM +-5% 1/16W
R451	061L0603103	CHIPR 10K OHM +-5% 1/16W
LED01	081G 14501 GP	LED GPTD1210YGC3-HB GUANGPU
ZD04	093G 39S 34 T	UDZS5.6B
ZD03	093G 39S 34 T	UDZS5.6B
ZD02	093G 39S 34 T	UDZS5.6B
ZD01	093G 39S 34 T	UDZS5.6B
ZD05	093G 39S 34 T	UDZS5.6B
ZD06	093G 39S 34 T	UDZS5.6B
Q901	057G 600 35	STP8NK80ZFP
Q901	057G 667 15	FQPF7N80 TO-220F
Q901	057G 749 1C	2SK3264
	0M1G1730 8128 CR3	SCREW
	0M1G 330 4128 CR3	SCREW
D922	093G 60217	FMB29L 10A 100V SANKEN
D922	093G 60236	DIODE FMB-26L TO-220 SANKEN
D922	093G 60240	YG802C06R TO-220F15
D921	093G 60249	FCH10U15 T0-220
D922	093G 60251	FCQ10U06
D922	093G 60507 A	DIODE SRF1060 TSC
	0M1G1730 8128 CR3	SCREW
C214	065G 3J2206ET	22PF 5% SL 3KV TDK
C213	065G 3J2206ET	22PF 5% SL 3KV TDK
C211	065G 3J2206ET	22PF 5% SL 3KV TDK
C203	067G215D4714KV	EC 105 CAP 470UF M 25V
C931	067G215L102 4N	KY25VB1000M-L 12.5*20
C924	067G215L102 4N	KY25VB1000M-L 12.5*20
C923	067G215L102 4N	KY25VB1000M-L 12.5*20
C925	067G215L471 4N	KY25VB470M-L10*16
C203	067G215L471 4N	KY25VB470M-L10*16
C904	067G215S10115K	100UF 450V
C904	067G215S10115N	PAG450VB100-M-L18*35.5MM
C904	067G215Z10115K	ELCAP 100UF M 450V
DB901	093G 50460 8P	BRIDGE DIODE 2KBP08M PANJIT
DB901	093G 50460502	KBP206G
Q204	057G 417 4	PMBS3904/PHILIPS-SMT(04)
Q205	057G 417 6	PMBS3906/PHILIPS-SMT(06)
Q204	057G 417 4A	2SC3052-T112-1F



Q205	057G 417 6A	2SA1235A-T112-1F
Q202	057G 760 4B	PDTA144WK SOT346
Q202	057G 760 4C	RT1P44HC-T112-1
Q201	057G 760 5B	PDTC144WK SOT346
Q201	057G 760 5C	RTIN44HC-T112-1
R207	061L0805103	CHIPR 10K OHM +-5% 1/10W
R230	061L0805511	CHIPR 510 OHM 1/8W
D924	093G 6432V	LL4148-GSO8
D923	093G 6432V	LL4148-GSO8
D903	093G 6432V	LL4148-GSO8
D210	093G 6432V	LL4148-GSO8
D201	093G3004 4	RB050L-40
	PW1742SED2AIH	POWER BOARD FOR AI
	034FPF20P01	BOBBIN
IC903	056G 158 12	KIA431A-AT/P TO-92
C905	065G 2K152 1T6052	1.5NF/2KV Y5P +-10%
C905	065G 2K152 1T6285	1.5NF/2KV Y5P +-10%
C906	067G 2151014NT	100UF
C909	067G 2154704NT	47UF
C908	067G 3051007NT	EC105 10U 50V KEM50V

Diversity of T76CM9HJA2DRNCP compared with T76CM5HKA2DFNP		
Location	Part No. for TPV	Description
V000	015G8146 1	KEVSINGTON BRACKET
V000	040G 152509	RECYCLE LABEL
V000	040G 152512	RECYCLE LABEL
2	089G 728GAA 2D	SIGNAL CABLE
2	089G 728LAA 2D	SIGNAL CABLE
	089G401A18NHRA	POWER CORD
E095	095G8018 30 80	LVDS HARNESS
	0M1G 330 4128 CR3	SCREW
	0M1G1740 6128 CR3	SCREW
	0M1G2940 10225 CR3	SCREW
	705G780KP34 47	STAND ASS'Y
	750GLC70A7Q32D000D	PANEL LCD 17" EA07Q 373 D DELL CPT
	750GLC70A7Q33D000D	PANEL LCD 17" EA07Q 373 D DELL CPT
	PWPC1742CPD2P	POWER BOARD VER:A00
	Q40G 17N700 8A	RATING LABEL
	Q44G3770 3 B	EPS(L)
	Q44G3770 4 B	EPS(R)
	Q44G3770700 4B	CARTON
	Q44G3770BRO 2	PAPER-BLOCKED
	Q70G1700700 5B	CD MANUAL
	0M1G 130 4 47 CR3	SCREW
	0M1G 140 8225 CR3	SCREW
	0Q1G 130 8 47 CR3	SCREW
	Q15G8188 1 D	BASE BKT
	Q20G 030 1 D	DIECASTING
M037	Q37G 535 3	higne ass'y
C702	067G 2154797RV	EL CAP 4.7UF M 50V YXG
C702	067G405V479 7P	EC 105 4.7UF M 50V
CN405	088G 35315F HJ	SOC SUBD H 15P F
CN1	089G176J 8513	FFC CABLE KOTL
CN1	089G176S 8513	FFC CABLE SHAEY YOUNG
	Q52G6022 28	TAPE
CN204	033G8021 2D U	3.5mm WAFER
CN203	033G8021 2D U	3.5mm WAFER
CN202	033G8021 2D U	3.5mm WAFER
CN201	033G8021 2D U	3.5mm WAFER
IC902	056G 139 3	PC123FY2 BY SHARP

Q206	057G 761500	BTD1805D3
Q207	057G 761500	BTD1805D3
C903	063G 107474 5S	0.47UF 250VAC TEAPO
C903	063G107K474 HS	X2 CAP 0.47UF K 275VAC
C221	063G210J3342B2	0.33UF 250V PMS TAIYANG
C926	067G215Y471 3N	KY16VB470M-L 8*15MM
C926	067G215Y4713NV	KY16VB470M-CC3 8*15MM
L902	073G 174 65 H	LINE FILTER
L902	073G 174 65 LS	LINE FILTER BY LISHIN
L903	073G 253 91 L	CHOKE BY LI TA
L904	073G 253 91 L	CHOKE BY LI TA
L903	073G 253 91 T	CHOKE
L903	073G 253 91 LS	CHOKE BY LI SHIN
L904	073G 253 91 LS	CHOKE BY LI SHIN
L201	073G 253515 L	CHOKE COIL
L201	073G 253515 S	CHOLE
L901	073L 174 50 LH	LINE FILTER
L901	073L 174 50LSH	LINE FILTER
PT201	080GL17T 28 DN	X'FMR DARFON
PT202	080GL17T 28 DN	X'FMR DARFON
T901	080GL17T 29 L	ADAPTOR BY LITAI
T901	080GL17T 29 LS	ADAPTOR BY LISHIN
T901	080GL17T 29 YS	ADAPTOR BY YAO SHENG
	705GQ7K0 65002	A4 ASS'Y
	019F18173L1	SPRINGS
	019F18173R1	SPRINGS
U701	056G 585 4	AIC1117-33PY ANALOG
Q706	057G 417 4	PMBS3904/PHILIPS-SMT(04)
Q703	057G 417 4	PMBS3904/PHILIPS-SMT(04)
Q701	057G 417 4	PMBS3904/PHILIPS-SMT(04)
Q402	057G 417 4	PMBS3904/PHILIPS-SMT(04)
Q403	057G 417 6	PMBS3906/PHILIPS-SMT(06)
Q401	057G 417 6	PMBS3906/PHILIPS-SMT(06)
Q702	057G 417 23 T	TRA PZT2907AT1G SOT-223
Q702	057G 41717B T	tra PZT2907A PHILIPS
Q704	057G 763 1	A03401 SOT23 BY AOS(A1)
LED01	081G 14501 GP	LED GPTD1210YGC3-HB GUANGPU
ZD04	093G 39S 34 T	UDZS5.6B
ZD03	093G 39S 34 T	UDZS5.6B
ZD02	093G 39S 34 T	UDZS5.6B

ZD01	093G 39S 34 T	UDZS5.6B
ZD05	093G 39S 34 T	UDZS5.6B
ZD06	093G 39S 34 T	UDZS5.6B
Q901	057G 600 35	STP8NK80ZFP
Q901	057G 667 15	FQPF7N80 TO-220F
Q901	057G 749 1C	2SK3264
	0M1G1730 8128 CR3	SCREW
	0M1G 330 4128 CR3	SCREW
D922	093G 60217	FMB29L 10A 100V SANKEN
D922	093G 60236	DIODE FMB-26L TO-220 SANKEN
D922	093G 60240	YG802C06R TO-220F15
D921	093G 60249	FCH10U15 T0-220
D922	093G 60251	FCQ10U06
D922	093G 60507 A	DIODE SRF1060 TSC
	0M1G1730 8128 CR3	SCREW
C213	065G 3J1506EM	15PF/3KV
C212	065G 3J1506EM	15PF/3KV
C213	065G 3J1506ET	15PF 5% CC45SL 3KV TDK
C212	065G 3J1506ET	15PF 5% CC45SL 3KV TDK
C214	065G 3J1806EM	18PF +-5% 3KV SL
C211	065G 3J1806EM	18PF +-5% 3KV SL
C214	065G 3J1806ET	18PF 5% SL3KV TDK
C211	065G 3J1806ET	18PF 5% SL3KV TDK
C203	067G215D4714KV	EC 105 CAP 470UF M 25V
C931	067G215L102 4N	KY25VB1000M-L 12.5*20
C924	067G215L102 4N	KY25VB1000M-L 12.5*20
C923	067G215L102 4N	KY25VB1000M-L 12.5*20
C925	067G215L471 4N	KY25VB470M-L10*16
C203	067G215L471 4N	KY25VB470M-L10*16
C904	067G215S10115K	100UF 450V
C904	067G215S10115N	PAG450VB100-M-L18*35.5MM
C904	067G215Z10115K	ELCAP 100UF M 450V
DB901	093G 50460502	KBP206G
Q204	057G 417 4	PMBS3904/PHILIPS-SMT(04)
Q205	057G 417 6	PMBS3906/PHILIPS-SMT(06)
Q204	057G 417 4A	2SC3052-T112-1F
Q205	057G 417 6A	2SA1235A-T112-1F
Q202	057G 760 4B	PDTA144WK SOT346
Q202	057G 760 4C	RT1P44HC-T112-1
Q201	057G 760 5B	PDTC144WK SOT346

Q201	057G 760 5C	RTIN44HC-T112-1
R207	061L0805103	CHIPR 10K OHM +-5% 1/10W
D924	093G 6432V	LL4148-GSO8
D923	093G 6432V	LL4148-GSO8
D903	093G 6432V	LL4148-GSO8
D210	093G 6432V	LL4148-GSO8
D201	093G3004 4	RB050L-40
	034FPF20P01	BOBBIN
IC903	056G 158 12	KIA431A-AT/P TO-92
C905	065G 2K152 1T6052	1.5NF/2KV Y5P +-10%
C905	065G 2K152 1T6285	1.5NF/2KV Y5P +-10%
C906	067G 2151014NT	100UF
C909	067G 2154704NT	47UF
C908	067G 3051007NT	EC105 10U 50V KEM50V

Diversity of T76GM9HJA2DLNCP compared with T76CM5HKA2DFNP		
Location	Part No.	Description
V000	015G8146 1	KEVSINGTON BRACKET
V000	040G 152509	RECYCLE LABEL
V000	040G 152512	RECYCLE LABEL
E089B	089G 728GAA 2D	SIGNAL CABLE
E089B	089G 728LAA 2D	SIGNAL CABLE
	089G401A18NHRA	POWER CORD
E095	095G8018 30 80	LVDS HARNESS
	0M1G 330 4128 CR3	SCREW
	0M1G1740 6128 CR3	SCREW
	0M1G2940 10225 CR3	SCREW
	705G780KM34 04	MAIN FRAME ASS'Y
	705G780KP34 47	STAND ASS'Y
	750GLG70E1T31D D	LPL 17" DELL CONSIGN PANEL
	CBPC780KG4DLP	MAIN BOARD VER:A00,V6C08
	PWPC1742LGD2P	POWER BOARD VER:A00
	Q40G 17N700 8A	RATING LABEL
	Q44G3770 3 B	EPS(L)
	Q44G3770 4 B	EPS(R)
	Q44G3770700 4B	CARTON
	Q44G3770BRO 2	PAPER-BLOCKED
	Q70G1700700 5B	CD MANUAL
	015G8187 1	MAIN FRAME-CPT/LPL

	0M1G 130 4 47 CR3	SCREW
	0M1G 140 8225 CR3	SCREW
	0Q1G 130 8 47 CR3	SCREW
	Q15G8188 1 D	BASE BKT
	Q20G 030 1 D	DIECASTING
M037	Q37G 535 3	hinge ass'y
C702	067G 2154797RV	EL CAP 4.7UF M 50V YXG
C702	067G405V479 7P	EC 105 4.7UF M 50V
CN405	088G 35315F HJ	SOC SUBD H 15P F
	AIC780KG4DLP	MAIN BOARD
CN1	089G176J 8513	FFC CABLE KOTL
CN1	089G176S 8513	FFC CABLE SHAEY YOUNG
	Q52G6022 28	TAPE
CN204	033G8021 2D U	3.5mm WAFER
CN203	033G8021 2D U	3.5mm WAFER
CN202	033G8021 2D U	3.5mm WAFER
CN201	033G8021 2D U	3.5mm WAFER
IC902	056G 139 3	PC123FY2 BY SHARP
Q207	057G 761500	BTD1805D3
Q206	057G 761500	BTD1805D3
C903	063G 107474 5S	0.47UF 250VAC TEAPO
C903	063G107K474 HS	X2 CAP 0.47UF K 275VAC
C221	063G210J3342B2	0.33UF 250V PMS TAIYANG
C926	067G215Y471 3N	KY16VB470M-L 8*15MM
C926	067G215Y4713NV	KY16VB470M-CC3 8*15MM
L902	073G 174 65 H	LINE FILTER
L902	073G 174 65 LS	LINE FILTER BY LISHIN
L903	073G 253 91 L	CHOKE BY LI TA
L904	073G 253 91 L	CHOKE BY LI TA
L903	073G 253 91 LS	CHOKE BY LI SHIN
L904	073G 253 91 LS	CHOKE BY LI SHIN
L201	073G 253515 L	CHOKE COIL
L201	073G 253515 S	CHOLE
L901	073L 174 50 LH	LINE FILTER
L901	073L 174 50LSH	LINE FILTER
PT201	080GL17T 28 DN	X'FMR DARFON
PT202	080GL17T 28 DN	X'FMR DARFON
T901	080GL17T 29 L	ADAPTOR BY LITAI
T901	080GL17T 29 LS	ADAPTOR BY LISHIN

T901	080GL17T 29 YS	ADAPTOR BY YAO SHENG
	705GQ7K0 65002	A4 ASS'Y
	019F18173L1	SPRINGS
	019F18173R1	SPRINGS
U701	056G 585 4	AIC1117-33PY ANALOG
Q706	057G 417 4	PMBS3904/PHILIPS-SMT(04)
Q703	057G 417 4	PMBS3904/PHILIPS-SMT(04)
Q701	057G 417 4	PMBS3904/PHILIPS-SMT(04)
Q402	057G 417 4	PMBS3904/PHILIPS-SMT(04)
Q403	057G 417 6	PMBS3906/PHILIPS-SMT(06)
Q401	057G 417 6	PMBS3906/PHILIPS-SMT(06)
Q702	057G 417 23 T	TRA PZT2907AT1G SOT-223
Q702	057G 41717B T	tra PZT2907A PHILIPS
Q704	057G 763 1	A03401 SOT23 BY AOS(A1)
R450	061L0603103	CHIPR 10K OHM +-5% 1/16W
R451	061L0603103	CHIPR 10K OHM +-5% 1/16W
LED01	081G 14501 GP	LED GPTD1210YGC3-HB GUANGPU
ZD04	093G 39S 34 T	UDZS5.6B
ZD03	093G 39S 34 T	UDZS5.6B
ZD02	093G 39S 34 T	UDZS5.6B
ZD01	093G 39S 34 T	UDZS5.6B
ZD05	093G 39S 34 T	UDZS5.6B
ZD06	093G 39S 34 T	UDZS5.6B
Q901	057G 600 35	STP8NK80ZFP
Q901	057G 667 15	FQPF7N80 TO-220F
Q901	057G 749 1C	2SK3264
	0M1G1730 8128 CR3	SCREW
	0M1G 330 4128 CR3	SCREW
D922	093G 60217	FMB29L 10A 100V SANKEN
D922	093G 60236	DIODE FMB-26L TO-220 SANKEN
D922	093G 60240	YG802C06R TO-220F15
D921	093G 60249	FCH10U15 T0-220
D922	093G 60251	FCQ10U06
D922	093G 60507 A	DIODE SRF1060 TSC
	0M1G1730 8128 CR3	SCREW
C213	065G 3J1506EM	15PF/3KV
C212	065G 3J1506EM	15PF/3KV
C213	065G 3J1506ET	15PF 5% CC45SL 3KV TDK
C212	065G 3J1506ET	15PF 5% CC45SL 3KV TDK

C214	065G 3J1806EM	18PF +-5% 3KV SL
C211	065G 3J1806EM	18PF +-5% 3KV SL
C214	065G 3J1806ET	18PF 5% SL3KV TDK
C211	065G 3J1806ET	18PF 5% SL3KV TDK
C203	067G215D4714KV	EC 105 CAP 470UF M 25V
C931	067G215L102 4N	KY25VB1000M-L 12.5*20
C924	067G215L102 4N	KY25VB1000M-L 12.5*20
C923	067G215L102 4N	KY25VB1000M-L 12.5*20
C925	067G215L471 4N	KY25VB470M-L10*16
C203	067G215L471 4N	KY25VB470M-L10*16
C904	067G215S10115K	100UF 450V
C904	067G215S10115N	PAG450VB100-M-L18*35.5MM
C904	067G215Z10115K	ELCAP 100UF M 450V
DB901	093G 50460502	KBP206G
Q204	057G 417 4	PMBS3904/PHILIPS-SMT(04)
Q205	057G 417 6	PMBS3906/PHILIPS-SMT(06)
Q204	057G 417 4A	2SC3052-T112-1F
Q205	057G 417 6A	2SA1235A-T112-1F
Q202	057G 760 4B	PDTA144WK SOT346
Q202	057G 760 4C	RT1P44HC-T112-1
Q201	057G 760 5B	PDTC144WK SOT346
Q201	057G 760 5C	RTIN44HC-T112-1
R207	061L0805103	CHIPR 10K OHM +-5% 1/10W
D924	093G 6432V	LL4148-GSO8
D923	093G 6432V	LL4148-GSO8
D903	093G 6432V	LL4148-GSO8
D210	093G 6432V	LL4148-GSO8
D201	093G3004 4	RB050L-40
	034FPF20P01	BOBBIN
IC903	056G 158 12	KIA431A-AT/P TO-92
C905	065G 2K152 1T6052	1.5NF/2KV Y5P +-10%
C905	065G 2K152 1T6285	1.5NF/2KV Y5P +-10%
C906	067G 2151014NT	100UF
C909	067G 2154704NT	47UF
C908	067G 3051007NT	EC105 10U 50V KEM50V

Diversity of T76GM9HKA2DZNCPC compared with T76CM5HKA2DFNP		
Location	Part No.	Description



V000	015G8146 1	KEYSINGTON BRACKET
V000	040G 152509	RECYCLE LABEL
V000	040G 152512	RECYCLE LABEL
	089G 728GAA 2D	SIGNAL CABLE
	089G 728LAA 2D	SIGNAL CABLE
	089G402A18NISD	POWER CORD
	089G402A18NYHD	POWER CORD
E095	095G8018 30 80	LVDS HARNESS
	0M1G 330 4128 CR3	SCREW
	0M1G1740 6128 CR3	SCREW
	0M1G2940 10225 CR3	SCREW
	705G780KM34 04	MAIN FRAME ASS'Y
	705G780KP34 47	STAND ASS'Y
	750GLG70E1T41D D	LPL 17" DELL CONSIGN PANEL
	CBPC780KG4DLP	MAIN BOARD VER:A00,V6C08
	PWPC1742LGD2P	POWER BOARD VER:A00
	015G8187 1	MAIN FRAME-CPT/LPL
	0M1G 130 4 47 CR3	SCREW
	0M1G 140 8225 CR3	SCREW
	0Q1G 130 8 47 CR3	SCREW
	Q15G8188 1 D	BASE BKT
	Q20G 030 1 D	DIECASTING
M037	Q37G 535 3	higne ass'y
C702	067G 2154797RV	EL CAP 4.7UF M 50V YXG
C702	067G405V479 7P	EC 105 4.7UF M 50V
CN405	088G 35315F HJ	SOC SUBD H 15P F
	AIC780KG4DLP	MAIN BOARD
CN1	089G176J 8513	FFC CABLE KOTL
CN1	089G176S 8513	FFC CABLE SHAEY YOUNG
	Q52G6022 28	TAPE
CN204	033G8021 2D U	3.5mm WAFER
CN203	033G8021 2D U	3.5mm WAFER
CN202	033G8021 2D U	3.5mm WAFER
CN201	033G8021 2D U	3.5mm WAFER
IC902	056G 139 3	PC123FY2 BY SHARP
Q207	057G 761500	BTD1805D3
Q206	057G 761500	BTD1805D3
C903	063G 107474 5S	0.47UF 250VAC TEAPO
C903	063G107K474 HS	X2 CAP 0.47UF K 275VAC

C221	063G210J3342B2	0.33UF 250V PMS TAIYANG
C926	067G215Y471 3N	KY16VB470M-L 8*15MM
C926	067G215Y4713NV	KY16VB470M-CC3 8*15MM
L902	073G 174 65 H	LINE FILTER
L902	073G 174 65 LS	LINE FILTER BY LISHIN
L903	073G 253 91 L	CHOKO BY LI TA
L904	073G 253 91 L	CHOKO BY LI TA
L903	073G 253 91 LS	CHOKO BY LI SHIN
L904	073G 253 91 LS	CHOKO BY LI SHIN
L201	073G 253515 L	CHOKO COIL
L201	073G 253515 S	CHOLE
L901	073L 174 50 LH	LINE FILTER
L901	073L 174 50LSH	LINE FILTER
PT201	080GL17T 28 DN	X'FMR DARFON
PT202	080GL17T 28 DN	X'FMR DARFON
T901	080GL17T 29 L	ADAPTOR BY LITAI
T901	080GL17T 29 LS	ADAPTOR BY LISHIN
T901	080GL17T 29 YS	ADAPTOR BY YAO SHENG
	705GQ7K0 65002	A4 ASS'Y
	019F18173L1	SPRINGS
	019F18173R1	SPRINGS
U701	056G 585 4	AIC1117-33PY ANALOG
Q706	057G 417 4	PMBS3904/PHILIPS-SMT(04)
Q703	057G 417 4	PMBS3904/PHILIPS-SMT(04)
Q701	057G 417 4	PMBS3904/PHILIPS-SMT(04)
Q402	057G 417 4	PMBS3904/PHILIPS-SMT(04)
Q403	057G 417 6	PMBS3906/PHILIPS-SMT(06)
Q401	057G 417 6	PMBS3906/PHILIPS-SMT(06)
Q702	057G 417 23 T	TRA PZT2907AT1G SOT-223
Q702	057G 41717B T	tra PZT2907A PHILIPS
Q704	057G 763 1	A03401 SOT23 BY AOS(A1)
R450	061L0603103	CHIPR 10K OHM +-5% 1/16W
R451	061L0603103	CHIPR 10K OHM +-5% 1/16W
LED01	081G 14501 GP	LED GPTD1210YGC3-HB GUANGPU
ZD04	093G 39S 34 T	UDZS5.6B
ZD03	093G 39S 34 T	UDZS5.6B
ZD02	093G 39S 34 T	UDZS5.6B
ZD01	093G 39S 34 T	UDZS5.6B
ZD05	093G 39S 34 T	UDZS5.6B

ZD06	093G 39S 34 T	UDZS5.6B
Q901	057G 600 35	STP8NK80ZFP
Q901	057G 667 15	FQPF7N80 TO-220F
Q901	057G 749 1C	2SK3264
	0M1G1730 8128 CR3	SCREW
	0M1G 330 4128 CR3	SCREW
D922	093G 60217	FMB29L 10A 100V SANKEN
D922	093G 60236	DIODE FMB-26L TO-220 SANKEN
D922	093G 60240	YG802C06R TO-220F15
D921	093G 60249	FCH10U15 T0-220
D922	093G 60251	FCQ10U06
D922	093G 60507 A	DIODE SRF1060 TSC
	0M1G1730 8128 CR3	SCREW
C213	065G 3J1506EM	15PF/3KV
C212	065G 3J1506EM	15PF/3KV
C213	065G 3J1506ET	15PF 5% CC45SL 3KV TDK
C212	065G 3J1506ET	15PF 5% CC45SL 3KV TDK
C214	065G 3J1806EM	18PF +-5% 3KV SL
C211	065G 3J1806EM	18PF +-5% 3KV SL
C214	065G 3J1806ET	18PF 5% SL3KV TDK
C211	065G 3J1806ET	18PF 5% SL3KV TDK
C203	067G215D4714KV	EC 105 CAP 470UF M 25V
C931	067G215L102 4N	KY25VB1000M-L 12.5*20
C924	067G215L102 4N	KY25VB1000M-L 12.5*20
C923	067G215L102 4N	KY25VB1000M-L 12.5*20
C925	067G215L471 4N	KY25VB470M-L10*16
C203	067G215L471 4N	KY25VB470M-L10*16
C904	067G215S10115K	100UF 450V
C904	067G215S10115N	PAG450VB100-M-L18*35.5MM
C904	067G215Z10115K	ELCAP 100UF M 450V
DB901	093G 50460502	KBP206G
Q204	057G 417 4	PMBS3904/PHILIPS-SMT(04)
Q205	057G 417 6	PMBS3906/PHILIPS-SMT(06)
Q204	057G 417 4A	2SC3052-T112-1F
Q205	057G 417 6A	2SA1235A-T112-1F
Q202	057G 760 4B	PDTA144WK SOT346
Q202	057G 760 4C	RT1P44HC-T112-1
Q201	057G 760 5B	PDTC144WK SOT346
Q201	057G 760 5C	RTIN44HC-T112-1

R207	061L0805103	CHIPR 10K OHM +-5% 1/10W
D924	093G 6432V	LL4148-GSO8
D923	093G 6432V	LL4148-GSO8
D903	093G 6432V	LL4148-GSO8
D210	093G 6432V	LL4148-GSO8
D201	093G3004 4	RB050L-40
	034FPF20P01	BOBBIN
IC903	056G 158 12	KIA431A-AT/P TO-92
C905	065G 2K152 1T6052	1.5NF/2KV Y5P +-10%
C905	065G 2K152 1T6285	1.5NF/2KV Y5P +-10%
C906	067G 2151014NT	100UF
C909	067G 2154704NT	47UF
C908	067G 3051007NT	EC105 10U 50V KEM50V

<b>Diversity of T76CM9HMA2DFNCP compared with T76CM5HKA2DFNP</b>		
<b>Location</b>	<b>Location</b>	<b>Location</b>
	044G9003210	CORNER PAPER
	0M1G 330 4128 CR3	SCREW
	0M1G1740 6128 CR3	SCREW
	0M1G2940 10225 CR3	SCREW
	0M1G 130 4 47 CR3	SCREW
	0M1G 140 8225 CR3	SCREW
	0Q1G 130 8 47 CR3	SCREW
	Q15G8188 1 D	BASE BKT
	Q20G 030 1 D	DIECASTING
	750GLC70A7Q43D000D	PANEL LCD 17" EA07Q 3A3 D DELL CPT
C717	067G305V100 3	105 10UF +-20% 16V
C418	067G305V100 3	105 10UF +-20% 16V
C408	067G305V100 3	105 10UF +-20% 16V
C403	067G305V100 3	105 10UF +-20% 16V
C712	067G305V101 3	105 100UF M 16V
C710	067G305V101 3	105 100UF M 16V
Q702	057G 417 23 T	TRA PZT2907AT1G SOT-223
FB411	061G0603000	RST CHIPR 0 OHM +-5% 1/10W
FB410	061G0603000	RST CHIPR 0 OHM +-5% 1/10W
FB412	061G0603000	RST CHIPR 0 OHM +-5% 1/10W
R721	061G0603000	RST CHIPR 0 OHM +-5% 1/10W
R441	061G0603101	RST CHIPR 100 OHM +-5% 1/10W
R442	061G0603101	RST CHIPR 100 OHM +-5% 1/10W

R443	061G0603101	RST CHIPR 100 OHM +-5% 1/10W
R445	061G0603101	RST CHIPR 100 OHM +-5% 1/10W
R478	061G0603101	RST CHIPR 100 OHM +-5% 1/10W
R704	061G0603101	RST CHIPR 100 OHM +-5% 1/10W
R454	061G0603101	RST CHIPR 100 OHM +-5% 1/10W
R453	061G0603101	RST CHIPR 100 OHM +-5% 1/10W
R477	061G0603102	RST CHIP 1K 1/10W 5%
R476	061G0603102	RST CHIP 1K 1/10W 5%
R475	061G0603102	RST CHIP 1K 1/10W 5%
R474	061G0603102	RST CHIP 1K 1/10W 5%
R701	061G0603102	RST CHIP 1K 1/10W 5%
R455	061G0603102	RST CHIP 1K 1/10W 5%
R447	061G0603102	RST CHIP 1K 1/10W 5%
R446	061G0603102	RST CHIP 1K 1/10W 5%
R415	061G0603103	RST CHIPR 10 KOHM +-5% 1/10W
R416	061G0603103	RST CHIPR 10 KOHM +-5% 1/10W
R444	061G0603103	RST CHIPR 10 KOHM +-5% 1/10W
R452	061G0603103	RST CHIPR 10 KOHM +-5% 1/10W
R479	061G0603103	RST CHIPR 10 KOHM +-5% 1/10W
R727	061G0603103	RST CHIPR 10 KOHM +-5% 1/10W
R717	061G0603103	RST CHIPR 10 KOHM +-5% 1/10W
R714	061G0603103	RST CHIPR 10 KOHM +-5% 1/10W
R711	061G0603103	RST CHIPR 10 KOHM +-5% 1/10W
R708	061G0603103	RST CHIPR 10 KOHM +-5% 1/10W
R484	061G0603103	RST CHIPR 10 KOHM +-5% 1/10W
R483	061G0603103	RST CHIPR 10 KOHM +-5% 1/10W
R481	061G0603103	RST CHIPR 10 KOHM +-5% 1/10W
R482	061G0603103	RST CHIPR 10 KOHM +-5% 1/10W
R413	061G0603103	RST CHIPR 10 KOHM +-5% 1/10W
R408	061G0603103	RST CHIPR 10 KOHM +-5% 1/10W
R406	061G0603103	RST CHIPR 10 KOHM +-5% 1/10W
R404	061G0603103	RST CHIPR 10 KOHM +-5% 1/10W
R703	061G0603202	RST CHIPR 2 KOHM +-5% 1/10W
R405	061G0603203	RST CHIPR 20 KOHM +-5% 1/10W
R448	061G0603222	RST CHIPR 2.2 KOHM +-5% 1/10W
R449	061G0603222	RST CHIPR 2.2 KOHM +-5% 1/10W
R403	061G0603391	RST CHIPR 390 OHM +-5% 1/10W
R409	061G0603471	RST CHIPR 470 OHM +-5% 1/10W
R414	061G0603471	RST CHIPR 470 OHM +-5% 1/10W
R419	061G0603471	RST CHIPR 470 OHM +-5% 1/10W

R421	061G0603471	RST CHIPR 470 OHM +-5% 1/10W
R422	061G0603472	RST CHIPR 4.7KOHM +-5% 1/10W
R423	061G0603472	RST CHIPR 4.7KOHM +-5% 1/10W
R705	061G0603472	RST CHIPR 4.7KOHM +-5% 1/10W
R707	061G0603472	RST CHIPR 4.7KOHM +-5% 1/10W
R712	061G0603472	RST CHIPR 4.7KOHM +-5% 1/10W
R725	061G0603472	RST CHIPR 4.7KOHM +-5% 1/10W
R450	061G0603472	RST CHIPR 4.7KOHM +-5% 1/10W
R451	061G0603472	RST CHIPR 4.7KOHM +-5% 1/10W
R702	061G0603510	RST CHIPR 51 OHM +-5% 1/10W
R723	061G0603513	RST CHIPR 51 KOHM +-5% 1/10W
R436	061G0603560	RST CHIPR 56 OHM +-5% 1/10W
R435	061G0603560	RST CHIPR 56 OHM +-5% 1/10W
R434	061G0603560	RST CHIPR 56 OHM +-5% 1/10W
R440	061G0603750 9F	RST CHIPR 75 OHM +-1% 1/10W
R439	061G0603750 9F	RST CHIPR 75 OHM +-1% 1/10W
R438	061G0603750 9F	RST CHIPR 75 OHM +-1% 1/10W
CN1	089G176J 8513	FFC CABLE KOTL
	Q52G6022 28	TAPE
C903	063G107K474 HS	X2 CAP 0.47UF K 275VAC
	0M1G1730 8128 CR3	SCREW
	0M1G 330 4128 CR3	SCREW
D922	093G 60507 A	DIODE SRF1060 TSC
	0M1G1730 8128 CR3	SCREW
	705GQ7K0 65005	A4 ASS'Y
R208	061G0805000	0 OHM 1/10W
R209	061G0805000	0 OHM 1/10W
R207	061G0805100 2F	RST CHIPR 10KOHM +-1% 1/8W
R912	061G0805101	RST CHIPR 100 OHM +-5% 1/8W
R924	061G0805102	CHIP 1KOHM 1/10W
R931	061G0805102	CHIP 1KOHM 1/10W
R932	061G0805102	CHIP 1KOHM 1/10W
R917	061G0805103	10 KOHM 1/10W
R214	061G0805123	RST CHIPR 12 KOHM +-5% 1/8W
R231	061G0805123	RST CHIPR 12 KOHM +-5% 1/8W
R206	061G0805123	RST CHIPR 12 KOHM +-5% 1/8W
R205	061G0805163	RST CHIPR 16 KOHM +-5% 1/8W
R919	061G0805203	CHIP 20KOHM 1/10W
R915	061G0805220	22&8 1/10W
R909	061G0805220	22&8 1/10W

R202	061G0805221	RST CHIPR 220 OHM +-5% 1/8W
R916	061G0805221	RST CHIPR 220 OHM +-5% 1/8W
R910	061G0805222	RST CHIPR 2.2KOHM +-5% 1/8W
R933	061G0805240 1F	2.4KOHM 1/10W 1%
R203	061G0805240 1F	2.4KOHM 1/10W 1%
R201	061G0805240 1F	2.4KOHM 1/10W 1%
R929	061G0805330 2F	33 KOHM 1/10W 1%
R930	061G0805360 1F	3.6KOHM 1/10W 1%
R911	061G0805362	RST CHIPR 3.6 KOHM +-5% 1/8W
R230	061G0805471	470&8 1/10W
R204	061G0805471	470&8 1/10W
R914	061G0805472	RST CHIPR 4.7 KOHM +-5% 1/8W
R213	061G0805472	RST CHIPR 4.7 KOHM +-5% 1/8W
R210	061G0805473	RST CHIPR 47 KOHM +-5% 1/8W
R232	061G0805510 2F	RST CHIPR 51 KOHM +-1% 1/8W
R212	061G0805623	RST CHIPR 62 KOHM +-5% 1/8W
R229	061G0805681	RST CHIPR 680 OHM +-5% 1/8W
R913	061G0805753	CHIP 75KOHM 1/10W
F902	061G1206000	0 OHM 1/8W
R925	061G1206000	0 OHM 1/8W
R903	061G1206332	RST CHIPR 3.3 KOHM +-5% 1/4W
R904	061G1206332	RST CHIPR 3.3 KOHM +-5% 1/4W
R905	061G1206332	RST CHIPR 3.3 KOHM +-5% 1/4W
R900	061G1206334	330KOHM 1/8
R901	061G1206334	330KOHM 1/8
R902	061G1206334	330KOHM 1/8
C908	067G 305100 7T	105 10UF +-20% 50V
C209	067G 305330 7T	33UF 105
	Q07G 1 5D30	WOODEN PALLET
	Q44G3770 3 B	EPS(L)
	Q44G3770 4 B	EPS(R)
	Q44G3770700 3B	CARTON
	Q70G1700700 5B	CD MANUAL
	071F 100511 HS	10*5.5*20

Diversity of T76CM9HMA2DLNCP compared with T76CM5HKA2DFNP		
Location	Location	Location
	0M1G 330 4128 CR3	SCREW
	0M1G1740 6128 CR3	SCREW
	0M1G2940 10225 CR3	SCREW

	0M1G 130 4 47 CR3	SCREW
	0M1G 140 8225 CR3	SCREW
	0Q1G 130 8 47 CR3	SCREW
	Q15G8188 1 D	BASE BKT
	Q20G 030 1 D	DIECASTING
	750GLC70A7Q43D000D	PANEL LCD 17" EA07Q 3A3 D DELL CPT
C717	067G305V100 3	105 10UF +-20% 16V
C418	067G305V100 3	105 10UF +-20% 16V
C408	067G305V100 3	105 10UF +-20% 16V
C403	067G305V100 3	105 10UF +-20% 16V
C712	067G305V101 3	105 100UF M 16V
C710	067G305V101 3	105 100UF M 16V
Q702	057G 417 23 T	TRA PZT2907AT1G SOT-223
FB411	061G0603000	RST CHIPR 0 OHM +-5% 1/10W
FB410	061G0603000	RST CHIPR 0 OHM +-5% 1/10W
FB412	061G0603000	RST CHIPR 0 OHM +-5% 1/10W
R721	061G0603000	RST CHIPR 0 OHM +-5% 1/10W
R441	061G0603101	RST CHIPR 100 OHM +-5% 1/10W
R442	061G0603101	RST CHIPR 100 OHM +-5% 1/10W
R443	061G0603101	RST CHIPR 100 OHM +-5% 1/10W
R445	061G0603101	RST CHIPR 100 OHM +-5% 1/10W
R478	061G0603101	RST CHIPR 100 OHM +-5% 1/10W
R704	061G0603101	RST CHIPR 100 OHM +-5% 1/10W
R454	061G0603101	RST CHIPR 100 OHM +-5% 1/10W
R453	061G0603101	RST CHIPR 100 OHM +-5% 1/10W
R477	061G0603102	RST CHIP 1K 1/10W 5%
R476	061G0603102	RST CHIP 1K 1/10W 5%
R475	061G0603102	RST CHIP 1K 1/10W 5%
R474	061G0603102	RST CHIP 1K 1/10W 5%
R701	061G0603102	RST CHIP 1K 1/10W 5%
R455	061G0603102	RST CHIP 1K 1/10W 5%
R447	061G0603102	RST CHIP 1K 1/10W 5%
R446	061G0603102	RST CHIP 1K 1/10W 5%
R415	061G0603103	RST CHIPR 10 KOHM +-5% 1/10W
R416	061G0603103	RST CHIPR 10 KOHM +-5% 1/10W
R444	061G0603103	RST CHIPR 10 KOHM +-5% 1/10W
R452	061G0603103	RST CHIPR 10 KOHM +-5% 1/10W
R479	061G0603103	RST CHIPR 10 KOHM +-5% 1/10W
R727	061G0603103	RST CHIPR 10 KOHM +-5% 1/10W
R717	061G0603103	RST CHIPR 10 KOHM +-5% 1/10W



R714	061G0603103	RST CHIPR 10 KOHM +-5% 1/10W
R711	061G0603103	RST CHIPR 10 KOHM +-5% 1/10W
R708	061G0603103	RST CHIPR 10 KOHM +-5% 1/10W
R484	061G0603103	RST CHIPR 10 KOHM +-5% 1/10W
R483	061G0603103	RST CHIPR 10 KOHM +-5% 1/10W
R481	061G0603103	RST CHIPR 10 KOHM +-5% 1/10W
R482	061G0603103	RST CHIPR 10 KOHM +-5% 1/10W
R413	061G0603103	RST CHIPR 10 KOHM +-5% 1/10W
R408	061G0603103	RST CHIPR 10 KOHM +-5% 1/10W
R406	061G0603103	RST CHIPR 10 KOHM +-5% 1/10W
R404	061G0603103	RST CHIPR 10 KOHM +-5% 1/10W
R703	061G0603202	RST CHIPR 2 KOHM +-5% 1/10W
R405	061G0603203	RST CHIPR 20 KOHM +-5% 1/10W
R448	061G0603222	RST CHIPR 2.2 KOHM +-5% 1/10W
R449	061G0603222	RST CHIPR 2.2 KOHM +-5% 1/10W
R403	061G0603391	RST CHIPR 390 OHM +-5% 1/10W
R409	061G0603471	RST CHIPR 470 OHM +-5% 1/10W
R414	061G0603471	RST CHIPR 470 OHM +-5% 1/10W
R419	061G0603471	RST CHIPR 470 OHM +-5% 1/10W
R421	061G0603471	RST CHIPR 470 OHM +-5% 1/10W
R422	061G0603472	RST CHIPR 4.7KOHM +-5% 1/10W
R423	061G0603472	RST CHIPR 4.7KOHM +-5% 1/10W
R705	061G0603472	RST CHIPR 4.7KOHM +-5% 1/10W
R707	061G0603472	RST CHIPR 4.7KOHM +-5% 1/10W
R712	061G0603472	RST CHIPR 4.7KOHM +-5% 1/10W
R725	061G0603472	RST CHIPR 4.7KOHM +-5% 1/10W
R450	061G0603472	RST CHIPR 4.7KOHM +-5% 1/10W
R451	061G0603472	RST CHIPR 4.7KOHM +-5% 1/10W
R702	061G0603510	RST CHIPR 51 OHM +-5% 1/10W
R723	061G0603513	RST CHIPR 51 KOHM +-5% 1/10W
R436	061G0603560	RST CHIPR 56 OHM +-5% 1/10W
R435	061G0603560	RST CHIPR 56 OHM +-5% 1/10W
R434	061G0603560	RST CHIPR 56 OHM +-5% 1/10W
R440	061G0603750 9F	RST CHIPR 75 OHM +-1% 1/10W
R439	061G0603750 9F	RST CHIPR 75 OHM +-1% 1/10W
R438	061G0603750 9F	RST CHIPR 75 OHM +-1% 1/10W
CN1	089G176J 8513	FFC CABLE KOTL
	Q52G6022 28	TAPE
C903	063G107K474 HS	X2 CAP 0.47UF K 275VAC
	0M1G1730 8128 CR3	SCREW

	0M1G 330 4128 CR3	SCREW
D922	093G 60507 A	DIODE SRF1060 TSC
	0M1G1730 8128 CR3	SCREW
	705GQ7K0 65005	A4 ASS'Y
R208	061G0805000	0 OHM 1/10W
R209	061G0805000	0 OHM 1/10W
R207	061G0805100 2F	RST CHIPR 10KOHM +-1% 1/8W
R912	061G0805101	RST CHIPR 100 OHM +-5% 1/8W
R924	061G0805102	CHIP 1KOHM 1/10W
R931	061G0805102	CHIP 1KOHM 1/10W
R932	061G0805102	CHIP 1KOHM 1/10W
R917	061G0805103	10 KOHM 1/10W
R214	061G0805123	RST CHIPR 12 KOHM +-5% 1/8W
R231	061G0805123	RST CHIPR 12 KOHM +-5% 1/8W
R206	061G0805123	RST CHIPR 12 KOHM +-5% 1/8W
R205	061G0805163	RST CHIPR 16 KOHM +-5% 1/8W
R919	061G0805203	CHIP 20KOHM 1/10W
R915	061G0805220	22&8 1/10W
R909	061G0805220	22&8 1/10W
R202	061G0805221	RST CHIPR 220 OHM +-5% 1/8W
R916	061G0805221	RST CHIPR 220 OHM +-5% 1/8W
R910	061G0805222	RST CHIPR 2.2KOHM +-5% 1/8W
R933	061G0805240 1F	2.4KOHM 1/10W 1%
R203	061G0805240 1F	2.4KOHM 1/10W 1%
R201	061G0805240 1F	2.4KOHM 1/10W 1%
R929	061G0805330 2F	33 KOHM 1/10W 1%
R930	061G0805360 1F	3.6KOHM 1/10W 1%
R911	061G0805362	RST CHIPR 3.6 KOHM +-5% 1/8W
R230	061G0805471	470&8 1/10W
R204	061G0805471	470&8 1/10W
R914	061G0805472	RST CHIPR 4.7 KOHM +-5% 1/8W
R213	061G0805472	RST CHIPR 4.7 KOHM +-5% 1/8W
R210	061G0805473	RST CHIPR 47 KOHM +-5% 1/8W
R232	061G0805510 2F	RST CHIPR 51 KOHM +-1% 1/8W
R212	061G0805623	RST CHIPR 62 KOHM +-5% 1/8W
R229	061G0805681	RST CHIPR 680 OHM +-5% 1/8W
R913	061G0805753	CHIP 75KOHM 1/10W
F902	061G1206000	0 OHM 1/8W
R925	061G1206000	0 OHM 1/8W
R903	061G1206332	RST CHIPR 3.3 KOHM +-5% 1/4W

R904	061G1206332	RST CHIPR 3.3 KOHM +-5% 1/4W
R905	061G1206332	RST CHIPR 3.3 KOHM +-5% 1/4W
R900	061G1206334	330KOHM 1/8
R901	061G1206334	330KOHM 1/8
R902	061G1206334	330KOHM 1/8
C908	067G 305100 7T	105 10UF +-20% 50V
C209	067G 305330 7T	33UF 105
	Q44G3770 3 B	EPS(L)
	Q44G3770 4 B	EPS(R)
	Q44G3770700 4B	CARTON
	Q44G3770BRO 2	PAPER-BLOCKED
	Q70G1700700 5B	CD MANUAL

<b>Diversity of T76GM9HBA2DZNCP compared with T76CM5HKA2DFNP</b>		
<b>Location</b>	<b>Location</b>	<b>Location</b>
	044G9003 90	CORNER PAPER
	089G 728LAA 2D	SIGNAL CABLE
	0M1G 330 4128 CR3	SCREW
	0M1G1740 6128 CR3	SCREW
	0M1G2940 10225 CR3	SCREW
	705G780KM34 04	frame ASS'Y
	015G8187 1	MAIN FRAME-CPT/LPL
	0M1G 130 4 47 CR3	SCREW
	0M1G 140 8225 CR3	SCREW
	0Q1G 130 8 47 CR3	SCREW
	Q15G8188 1 D	BASE BKT
	Q20G 030 1 D	DIECASTING
	750GLG70E1T41D D	LPL 17" DELL CONSIGN PANEL
	CBPC780KG4DLP	MAIN BOARD VER:A00,V6C08
C717	067G305V100 3	105 10UF +-20% 16V
C418	067G305V100 3	105 10UF +-20% 16V
C408	067G305V100 3	105 10UF +-20% 16V
C403	067G305V100 3	105 10UF +-20% 16V
C710	067G305V101 3	105 100UF M 16V
C712	067G305V101 3	105 100UF M 16V
	AIC780KG4DLP	MAIN BOARD
Q702	057G 417 23 T	TRA PZT2907AT1G SOT-223
FB412	061G0603000	RST CHIPR 0 OHM +-5% 1/10W
R721	061G0603000	RST CHIPR 0 OHM +-5% 1/10W

FB410	061G0603000	RST CHIPR 0 OHM +-5% 1/10W
FB411	061G0603000	RST CHIPR 0 OHM +-5% 1/10W
R445	061G0603101	RST CHIPR 100 OHM +-5% 1/10W
R443	061G0603101	RST CHIPR 100 OHM +-5% 1/10W
R442	061G0603101	RST CHIPR 100 OHM +-5% 1/10W
R441	061G0603101	RST CHIPR 100 OHM +-5% 1/10W
R453	061G0603101	RST CHIPR 100 OHM +-5% 1/10W
R454	061G0603101	RST CHIPR 100 OHM +-5% 1/10W
R704	061G0603101	RST CHIPR 100 OHM +-5% 1/10W
R478	061G0603101	RST CHIPR 100 OHM +-5% 1/10W
R446	061G0603102	RST CHIP 1K 1/10W 5%
R447	061G0603102	RST CHIP 1K 1/10W 5%
R455	061G0603102	RST CHIP 1K 1/10W 5%
R701	061G0603102	RST CHIP 1K 1/10W 5%
R474	061G0603102	RST CHIP 1K 1/10W 5%
R475	061G0603102	RST CHIP 1K 1/10W 5%
R476	061G0603102	RST CHIP 1K 1/10W 5%
R477	061G0603102	RST CHIP 1K 1/10W 5%
R413	061G0603103	RST CHIPR 10 KOHM +-5% 1/10W
R415	061G0603103	RST CHIPR 10 KOHM +-5% 1/10W
R416	061G0603103	RST CHIPR 10 KOHM +-5% 1/10W
R444	061G0603103	RST CHIPR 10 KOHM +-5% 1/10W
R450	061G0603103	RST CHIPR 10 KOHM +-5% 1/10W
R451	061G0603103	RST CHIPR 10 KOHM +-5% 1/10W
R452	061G0603103	RST CHIPR 10 KOHM +-5% 1/10W
R481	061G0603103	RST CHIPR 10 KOHM +-5% 1/10W
R482	061G0603103	RST CHIPR 10 KOHM +-5% 1/10W
R483	061G0603103	RST CHIPR 10 KOHM +-5% 1/10W
R484	061G0603103	RST CHIPR 10 KOHM +-5% 1/10W
R708	061G0603103	RST CHIPR 10 KOHM +-5% 1/10W
R711	061G0603103	RST CHIPR 10 KOHM +-5% 1/10W
R714	061G0603103	RST CHIPR 10 KOHM +-5% 1/10W
R408	061G0603103	RST CHIPR 10 KOHM +-5% 1/10W
R406	061G0603103	RST CHIPR 10 KOHM +-5% 1/10W
R404	061G0603103	RST CHIPR 10 KOHM +-5% 1/10W
R717	061G0603103	RST CHIPR 10 KOHM +-5% 1/10W
R727	061G0603103	RST CHIPR 10 KOHM +-5% 1/10W
R479	061G0603103	RST CHIPR 10 KOHM +-5% 1/10W
R703	061G0603202	RST CHIPR 2 KOHM +-5% 1/10W
R405	061G0603203	RST CHIPR 20 KOHM +-5% 1/10W

R448	061G0603222	RST CHIPR 2.2 KOHM +-5% 1/10W
R449	061G0603222	RST CHIPR 2.2 KOHM +-5% 1/10W
R403	061G0603391	RST CHIPR 390 OHM +-5% 1/10W
R409	061G0603471	RST CHIPR 470 OHM +-5% 1/10W
R414	061G0603471	RST CHIPR 470 OHM +-5% 1/10W
R419	061G0603471	RST CHIPR 470 OHM +-5% 1/10W
R421	061G0603471	RST CHIPR 470 OHM +-5% 1/10W
R725	061G0603472	RST CHIPR 4.7KOHM +-5% 1/10W
R712	061G0603472	RST CHIPR 4.7KOHM +-5% 1/10W
R707	061G0603472	RST CHIPR 4.7KOHM +-5% 1/10W
R705	061G0603472	RST CHIPR 4.7KOHM +-5% 1/10W
R423	061G0603472	RST CHIPR 4.7KOHM +-5% 1/10W
R422	061G0603472	RST CHIPR 4.7KOHM +-5% 1/10W
R702	061G0603510	RST CHIPR 51 OHM +-5% 1/10W
R723	061G0603513	RST CHIPR 51 KOHM +-5% 1/10W
R436	061G0603560	RST CHIPR 56 OHM +-5% 1/10W
R435	061G0603560	RST CHIPR 56 OHM +-5% 1/10W
R434	061G0603560	RST CHIPR 56 OHM +-5% 1/10W
R440	061G0603750 9F	RST CHIPR 75 OHM +-1% 1/10W
R439	061G0603750 9F	RST CHIPR 75 OHM +-1% 1/10W
R438	061G0603750 9F	RST CHIPR 75 OHM +-1% 1/10W
CN1	089G176J 8513	FFC CABLE KOTL
	Q52G6022 28	TAPE
	PWPC1742LGD2P	POWER BOARD VER:A00
Q206	057G 761500	BTD1805D3
Q207	057G 761500	BTD1805D3
C903	063G107K474 HS	X2 CAP 0.47UF K 275VAC
L201	073G 253515 S	CHOLE
	0M1G1730 8128 CR3	SCREW
	0M1G 330 4128 CR3	SCREW
D922	093G 60507 A	DIODE SRF1060 TSC
	0M1G1730 8128 CR3	SCREW
	705GQ7K0 65002	A4 ASS'Y
C213	065G 3J1506ET	15PF 5% CC45SL 3KV TDK
C212	065G 3J1506ET	15PF 5% CC45SL 3KV TDK
C214	065G 3J1806ET	18PF 5% SL3KV TDK
C211	065G 3J1806ET	18PF 5% SL3KV TDK
C925	067G215L471 4N	KY25VB470M-L10*16
C203	067G215L471 4N	KY25VB470M-L10*16
R208	061G0805000	0 OHM 1/10W

R209	061G0805000	0 OHM 1/10W
R912	061G0805101	RST CHIPR 100 OHM +-5% 1/8W
R924	061G0805102	CHIP 1KOHM 1/10W
R931	061G0805102	CHIP 1KOHM 1/10W
R932	061G0805102	CHIP 1KOHM 1/10W
R207	061G0805103	10 KOHM 1/10W
R917	061G0805103	10 KOHM 1/10W
R231	061G0805123	RST CHIPR 12 KOHM +-5% 1/8W
R214	061G0805123	RST CHIPR 12 KOHM +-5% 1/8W
R206	061G0805123	RST CHIPR 12 KOHM +-5% 1/8W
R205	061G0805163	RST CHIPR 16 KOHM +-5% 1/8W
R919	061G0805203	CHIP 20KOHM 1/10W
R909	061G0805220	22&8 1/10W
R915	061G0805220	22&8 1/10W
R202	061G0805221	RST CHIPR 220 OHM +-5% 1/8W
R916	061G0805221	RST CHIPR 220 OHM +-5% 1/8W
R910	061G0805222	RST CHIPR 2.2KOHM +-5% 1/8W
R201	061G0805240 1F	2.4KOHM 1/10W 1%
R203	061G0805240 1F	2.4KOHM 1/10W 1%
R933	061G0805240 1F	2.4KOHM 1/10W 1%
R929	061G0805330 2F	33 KOHM 1/10W 1%
R930	061G0805360 1F	3.6KOHM 1/10W 1%
R911	061G0805362	RST CHIPR 3.6 KOHM +-5% 1/8W
R204	061G0805471	470&8 1/10W
R230	061G0805471	470&8 1/10W
R213	061G0805472	RST CHIPR 4.7 KOHM +-5% 1/8W
R914	061G0805472	RST CHIPR 4.7 KOHM +-5% 1/8W
R210	061G0805473	RST CHIPR 47 KOHM +-5% 1/8W
R232	061G0805510 2F	RST CHIPR 51 KOHM +-1% 1/8W
R212	061G0805623	RST CHIPR 62 KOHM +-5% 1/8W
R229	061G0805681	RST CHIPR 680 OHM +-5% 1/8W
R913	061G0805753	CHIP 75KOHM 1/10W
F902	061G1206000	0 OHM 1/8W
R925	061G1206000	0 OHM 1/8W
R903	061G1206332	RST CHIPR 3.3 KOHM +-5% 1/4W
R904	061G1206332	RST CHIPR 3.3 KOHM +-5% 1/4W
R905	061G1206332	RST CHIPR 3.3 KOHM +-5% 1/4W
R900	061G1206334	330KOHM 1/8
R901	061G1206334	330KOHM 1/8
R902	061G1206334	330KOHM 1/8

C908	067G 305100 7T	105 10UF +-20% 50V
C209	067G 305330 7T	33UF 105
	Q40G0001700 4A	DELL carton label for Europe
	Q41G780070069A	EMEA PIG
	Q44G3770 3 B	EPS(L)
	Q44G3770 4 B	EPS(R)
	Q44G3770700 4B	CARTON
	Q44G3770BRO 2	PAPER-BLOCKED
	Q70G1700700 5B	CD MANUAL

<b>Diversity of T76GM9HMA2DRNCP compared with T76CM5HKA2DFNP</b>		
<b>Location</b>	<b>Location</b>	<b>Location</b>
	089G 728LAA 2D	SIGNAL CABLE
	0M1G 330 4128 CR3	SCREW
	0M1G1740 6128 CR3	SCREW
	0M1G2940 10225 CR3	SCREW
	705G780KM34 04	frame ASS'Y
	015G8187 1	MAIN FRAME-CPT/LPL
	0M1G 130 4 47 CR3	SCREW
	0M1G 140 8225 CR3	SCREW
	0Q1G 130 8 47 CR3	SCREW
	Q15G8188 1 D	BASE BKT
	Q20G 030 1 D	DIECASTING
	750GLG70E1T41D D	LPL 17" DELL CONSIGN PANEL
	CBPC780KG4DLP	MAIN BOARD VER:A00,V6C08
C717	067G305V100 3	105 10UF +-20% 16V
C418	067G305V100 3	105 10UF +-20% 16V
C408	067G305V100 3	105 10UF +-20% 16V
C403	067G305V100 3	105 10UF +-20% 16V
C712	067G305V101 3	105 100UF M 16V
C710	067G305V101 3	105 100UF M 16V
	AIC780KG4DLP	MAIN BOARD
Q702	057G 417 23 T	TRA PZT2907AT1G SOT-223
FB411	061G0603000	RST CHIPR 0 OHM +-5% 1/10W
FB410	061G0603000	RST CHIPR 0 OHM +-5% 1/10W
FB412	061G0603000	RST CHIPR 0 OHM +-5% 1/10W
R721	061G0603000	RST CHIPR 0 OHM +-5% 1/10W
R441	061G0603101	RST CHIPR 100 OHM +-5% 1/10W
R442	061G0603101	RST CHIPR 100 OHM +-5% 1/10W
R443	061G0603101	RST CHIPR 100 OHM +-5% 1/10W

R445	061G0603101	RST CHIPR 100 OHM +-5% 1/10W
R478	061G0603101	RST CHIPR 100 OHM +-5% 1/10W
R704	061G0603101	RST CHIPR 100 OHM +-5% 1/10W
R454	061G0603101	RST CHIPR 100 OHM +-5% 1/10W
R453	061G0603101	RST CHIPR 100 OHM +-5% 1/10W
R477	061G0603102	RST CHIP 1K 1/10W 5%
R476	061G0603102	RST CHIP 1K 1/10W 5%
R475	061G0603102	RST CHIP 1K 1/10W 5%
R474	061G0603102	RST CHIP 1K 1/10W 5%
R701	061G0603102	RST CHIP 1K 1/10W 5%
R455	061G0603102	RST CHIP 1K 1/10W 5%
R447	061G0603102	RST CHIP 1K 1/10W 5%
R446	061G0603102	RST CHIP 1K 1/10W 5%
R416	061G0603103	RST CHIPR 10 KOHM +-5% 1/10W
R444	061G0603103	RST CHIPR 10 KOHM +-5% 1/10W
R450	061G0603103	RST CHIPR 10 KOHM +-5% 1/10W
R451	061G0603103	RST CHIPR 10 KOHM +-5% 1/10W
R452	061G0603103	RST CHIPR 10 KOHM +-5% 1/10W
R479	061G0603103	RST CHIPR 10 KOHM +-5% 1/10W
R727	061G0603103	RST CHIPR 10 KOHM +-5% 1/10W
R717	061G0603103	RST CHIPR 10 KOHM +-5% 1/10W
R714	061G0603103	RST CHIPR 10 KOHM +-5% 1/10W
R711	061G0603103	RST CHIPR 10 KOHM +-5% 1/10W
R708	061G0603103	RST CHIPR 10 KOHM +-5% 1/10W
R484	061G0603103	RST CHIPR 10 KOHM +-5% 1/10W
R483	061G0603103	RST CHIPR 10 KOHM +-5% 1/10W
R481	061G0603103	RST CHIPR 10 KOHM +-5% 1/10W
R482	061G0603103	RST CHIPR 10 KOHM +-5% 1/10W
R415	061G0603103	RST CHIPR 10 KOHM +-5% 1/10W
R413	061G0603103	RST CHIPR 10 KOHM +-5% 1/10W
R408	061G0603103	RST CHIPR 10 KOHM +-5% 1/10W
R406	061G0603103	RST CHIPR 10 KOHM +-5% 1/10W
R404	061G0603103	RST CHIPR 10 KOHM +-5% 1/10W
R703	061G0603202	RST CHIPR 2 KOHM +-5% 1/10W
R405	061G0603203	RST CHIPR 20 KOHM +-5% 1/10W
R448	061G0603222	RST CHIPR 2.2 KOHM +-5% 1/10W
R449	061G0603222	RST CHIPR 2.2 KOHM +-5% 1/10W
R403	061G0603391	RST CHIPR 390 OHM +-5% 1/10W
R409	061G0603471	RST CHIPR 470 OHM +-5% 1/10W
R421	061G0603471	RST CHIPR 470 OHM +-5% 1/10W



R419	061G0603471	RST CHIPR 470 OHM +-5% 1/10W
R414	061G0603471	RST CHIPR 470 OHM +-5% 1/10W
R422	061G0603472	RST CHIPR 4.7KOHM +-5% 1/10W
R423	061G0603472	RST CHIPR 4.7KOHM +-5% 1/10W
R705	061G0603472	RST CHIPR 4.7KOHM +-5% 1/10W
R707	061G0603472	RST CHIPR 4.7KOHM +-5% 1/10W
R712	061G0603472	RST CHIPR 4.7KOHM +-5% 1/10W
R725	061G0603472	RST CHIPR 4.7KOHM +-5% 1/10W
R702	061G0603510	RST CHIPR 51 OHM +-5% 1/10W
R723	061G0603513	RST CHIPR 51 KOHM +-5% 1/10W
R436	061G0603560	RST CHIPR 56 OHM +-5% 1/10W
R435	061G0603560	RST CHIPR 56 OHM +-5% 1/10W
R434	061G0603560	RST CHIPR 56 OHM +-5% 1/10W
R440	061G0603750 9F	RST CHIPR 75 OHM +-1% 1/10W
R439	061G0603750 9F	RST CHIPR 75 OHM +-1% 1/10W
R438	061G0603750 9F	RST CHIPR 75 OHM +-1% 1/10W
CN1	089G176J 8513	FFC CABLE KOTL
	Q52G6022 28	TAPE
	PWPC1742LGD2P	POWER BOARD VER:A00
Q207	057G 761500	BTD1805D3
Q206	057G 761500	BTD1805D3
C903	063G107K474 HS	X2 CAP 0.47UF K 275VAC
L201	073G 253515 S	CHOLE
	0M1G1730 8128 CR3	SCREW
	0M1G 330 4128 CR3	SCREW
D922	093G 60507 A	DIODE SRF1060 TSC
	0M1G1730 8128 CR3	SCREW
	705GQ7K0 65002	A4 ASS'Y
C213	065G 3J1506ET	15PF 5% CC45SL 3KV TDK
C212	065G 3J1506ET	15PF 5% CC45SL 3KV TDK
C214	065G 3J1806ET	18PF 5% SL3KV TDK
C211	065G 3J1806ET	18PF 5% SL3KV TDK
C925	067G215L471 4N	KY25VB470M-L10*16
C203	067G215L471 4N	KY25VB470M-L10*16
R208	061G0805000	0 OHM 1/10W
R209	061G0805000	0 OHM 1/10W
R912	061G0805101	RST CHIPR 100 OHM +-5% 1/8W
R924	061G0805102	CHIP 1KOHM 1/10W
R931	061G0805102	CHIP 1KOHM 1/10W
R932	061G0805102	CHIP 1KOHM 1/10W

R207	061G0805103	10 KOHM 1/10W
R917	061G0805103	10 KOHM 1/10W
R214	061G0805123	RST CHIPR 12 KOHM +-5% 1/8W
R231	061G0805123	RST CHIPR 12 KOHM +-5% 1/8W
R206	061G0805123	RST CHIPR 12 KOHM +-5% 1/8W
R205	061G0805163	RST CHIPR 16 KOHM +-5% 1/8W
R919	061G0805203	CHIP 20KOHM 1/10W
R915	061G0805220	22&8 1/10W
R909	061G0805220	22&8 1/10W
R202	061G0805221	RST CHIPR 220 OHM +-5% 1/8W
R916	061G0805221	RST CHIPR 220 OHM +-5% 1/8W
R910	061G0805222	RST CHIPR 2.2KOHM +-5% 1/8W
R933	061G0805240 1F	2.4KOHM 1/10W 1%
R203	061G0805240 1F	2.4KOHM 1/10W 1%
R201	061G0805240 1F	2.4KOHM 1/10W 1%
R929	061G0805330 2F	33 KOHM 1/10W 1%
R930	061G0805360 1F	3.6KOHM 1/10W 1%
R911	061G0805362	RST CHIPR 3.6 KOHM +-5% 1/8W
R230	061G0805471	470&8 1/10W
R204	061G0805471	470&8 1/10W
R914	061G0805472	RST CHIPR 4.7 KOHM +-5% 1/8W
R213	061G0805472	RST CHIPR 4.7 KOHM +-5% 1/8W
R210	061G0805473	RST CHIPR 47 KOHM +-5% 1/8W
R232	061G0805510 2F	RST CHIPR 51 KOHM +-1% 1/8W
R212	061G0805623	RST CHIPR 62 KOHM +-5% 1/8W
R229	061G0805681	RST CHIPR 680 OHM +-5% 1/8W
R913	061G0805753	CHIP 75KOHM 1/10W
F902	061G1206000	0 OHM 1/8W
R925	061G1206000	0 OHM 1/8W
R903	061G1206332	RST CHIPR 3.3 KOHM +-5% 1/4W
R904	061G1206332	RST CHIPR 3.3 KOHM +-5% 1/4W
R905	061G1206332	RST CHIPR 3.3 KOHM +-5% 1/4W
R900	061G1206334	330KOHM 1/8
R901	061G1206334	330KOHM 1/8
R902	061G1206334	330KOHM 1/8
C908	067G 305100 7T	105 10UF +-20% 50V
C209	067G 305330 7T	33UF 105
	Q44G3770 3 B	EPS(L)
	Q44G3770 4 B	EPS(R)
	Q44G3770700 4B	CARTON

	Q44G3770BRO 2	PAPER-BLOCKED
	Q70G1700700 5B	CD MANUAL

<b>Diversity of T76CM9HMA2DRNCP compared with T76CM5HKA2DFNP</b>		
<b>Location</b>	<b>Location</b>	<b>Location</b>
	089G 728LAA 2D	SIGNAL CABLE
	0M1G 330 4128 CR3	SCREW
	0M1G1740 6128 CR3	SCREW
	0M1G2940 10225 CR3	SCREW
	0M1G 130 4 47 CR3	SCREW
	0M1G 140 8225 CR3	SCREW
	0Q1G 130 8 47 CR3	SCREW
	Q15G8188 1 D	BASE BKT
	Q20G 030 1 D	DIECASTING
	750GLC70A7Q33D000D	PANEL LCD 17" EA07Q 373 D DELL CPT
C717	067G305V100 3	105 10UF +-20% 16V
C418	067G305V100 3	105 10UF +-20% 16V
C408	067G305V100 3	105 10UF +-20% 16V
C403	067G305V100 3	105 10UF +-20% 16V
C712	067G305V101 3	105 100UF M 16V
C710	067G305V101 3	105 100UF M 16V
Q702	057G 417 23 T	TRA PZT2907AT1G SOT-223
FB411	061G0603000	RST CHIPR 0 OHM +-5% 1/10W
FB410	061G0603000	RST CHIPR 0 OHM +-5% 1/10W
FB412	061G0603000	RST CHIPR 0 OHM +-5% 1/10W
R721	061G0603000	RST CHIPR 0 OHM +-5% 1/10W
R441	061G0603101	RST CHIPR 100 OHM +-5% 1/10W
R442	061G0603101	RST CHIPR 100 OHM +-5% 1/10W
R443	061G0603101	RST CHIPR 100 OHM +-5% 1/10W
R445	061G0603101	RST CHIPR 100 OHM +-5% 1/10W
R478	061G0603101	RST CHIPR 100 OHM +-5% 1/10W
R704	061G0603101	RST CHIPR 100 OHM +-5% 1/10W
R454	061G0603101	RST CHIPR 100 OHM +-5% 1/10W
R453	061G0603101	RST CHIPR 100 OHM +-5% 1/10W
R477	061G0603102	RST CHIP 1K 1/10W 5%
R476	061G0603102	RST CHIP 1K 1/10W 5%
R475	061G0603102	RST CHIP 1K 1/10W 5%
R474	061G0603102	RST CHIP 1K 1/10W 5%
R701	061G0603102	RST CHIP 1K 1/10W 5%
R455	061G0603102	RST CHIP 1K 1/10W 5%

R447	061G0603102	RST CHIP 1K 1/10W 5%
R446	061G0603102	RST CHIP 1K 1/10W 5%
R415	061G0603103	RST CHIPR 10 KOHM +5% 1/10W
R416	061G0603103	RST CHIPR 10 KOHM +5% 1/10W
R444	061G0603103	RST CHIPR 10 KOHM +5% 1/10W
R452	061G0603103	RST CHIPR 10 KOHM +5% 1/10W
R479	061G0603103	RST CHIPR 10 KOHM +5% 1/10W
R727	061G0603103	RST CHIPR 10 KOHM +5% 1/10W
R717	061G0603103	RST CHIPR 10 KOHM +5% 1/10W
R714	061G0603103	RST CHIPR 10 KOHM +5% 1/10W
R711	061G0603103	RST CHIPR 10 KOHM +5% 1/10W
R708	061G0603103	RST CHIPR 10 KOHM +5% 1/10W
R484	061G0603103	RST CHIPR 10 KOHM +5% 1/10W
R483	061G0603103	RST CHIPR 10 KOHM +5% 1/10W
R481	061G0603103	RST CHIPR 10 KOHM +5% 1/10W
R482	061G0603103	RST CHIPR 10 KOHM +5% 1/10W
R413	061G0603103	RST CHIPR 10 KOHM +5% 1/10W
R408	061G0603103	RST CHIPR 10 KOHM +5% 1/10W
R406	061G0603103	RST CHIPR 10 KOHM +5% 1/10W
R404	061G0603103	RST CHIPR 10 KOHM +5% 1/10W
R703	061G0603202	RST CHIPR 2 KOHM +5% 1/10W
R405	061G0603203	RST CHIPR 20 KOHM +5% 1/10W
R448	061G0603222	RST CHIPR 2.2 KOHM +5% 1/10W
R449	061G0603222	RST CHIPR 2.2 KOHM +5% 1/10W
R403	061G0603391	RST CHIPR 390 OHM +5% 1/10W
R409	061G0603471	RST CHIPR 470 OHM +5% 1/10W
R414	061G0603471	RST CHIPR 470 OHM +5% 1/10W
R419	061G0603471	RST CHIPR 470 OHM +5% 1/10W
R421	061G0603471	RST CHIPR 470 OHM +5% 1/10W
R422	061G0603472	RST CHIPR 4.7KOHM +5% 1/10W
R423	061G0603472	RST CHIPR 4.7KOHM +5% 1/10W
R705	061G0603472	RST CHIPR 4.7KOHM +5% 1/10W
R707	061G0603472	RST CHIPR 4.7KOHM +5% 1/10W
R712	061G0603472	RST CHIPR 4.7KOHM +5% 1/10W
R725	061G0603472	RST CHIPR 4.7KOHM +5% 1/10W
R450	061G0603472	RST CHIPR 4.7KOHM +5% 1/10W
R451	061G0603472	RST CHIPR 4.7KOHM +5% 1/10W
R702	061G0603510	RST CHIPR 51 OHM +5% 1/10W
R723	061G0603513	RST CHIPR 51 KOHM +5% 1/10W
R436	061G0603560	RST CHIPR 56 OHM +5% 1/10W

R435	061G0603560	RST CHIPR 56 OHM +-5% 1/10W
R434	061G0603560	RST CHIPR 56 OHM +-5% 1/10W
R440	061G0603750 9F	RST CHIPR 75 OHM +-1% 1/10W
R439	061G0603750 9F	RST CHIPR 75 OHM +-1% 1/10W
R438	061G0603750 9F	RST CHIPR 75 OHM +-1% 1/10W
CN1	089G176J 8513	FFC CABLE KOTL
	Q52G6022 28	TAPE
	PWPC1742CPD2P	POWER BOARD VER:A00
Q206	057G 761500	BTD1805D3
Q207	057G 761500	BTD1805D3
C903	063G107K474 HS	X2 CAP 0.47UF K 275VAC
	0M1G1730 8128 CR3	SCREW
	0M1G 330 4128 CR3	SCREW
D922	093G 60507 A	DIODE SRF1060 TSC
	0M1G1730 8128 CR3	SCREW
	705GQ7K0 65002	A4 ASS'Y
C213	065G 3J1506ET	15PF 5% CC45SL 3KV TDK
C212	065G 3J1506ET	15PF 5% CC45SL 3KV TDK
C214	065G 3J1806ET	18PF 5% SL3KV TDK
C211	065G 3J1806ET	18PF 5% SL3KV TDK
C925	067G215L471 4N	KY25VB470M-L10*16
C203	067G215L471 4N	KY25VB470M-L10*16
R208	061G0805000	0 OHM 1/10W
R209	061G0805000	0 OHM 1/10W
R912	061G0805101	RST CHIPR 100 OHM +-5% 1/8W
R924	061G0805102	CHIP 1KOHM 1/10W
R931	061G0805102	CHIP 1KOHM 1/10W
R932	061G0805102	CHIP 1KOHM 1/10W
R207	061G0805103	10 KOHM 1/10W
R917	061G0805103	10 KOHM 1/10W
R214	061G0805123	RST CHIPR 12 KOHM +-5% 1/8W
R231	061G0805123	RST CHIPR 12 KOHM +-5% 1/8W
R206	061G0805123	RST CHIPR 12 KOHM +-5% 1/8W
R205	061G0805163	RST CHIPR 16 KOHM +-5% 1/8W
R919	061G0805203	CHIP 20KOHM 1/10W
R915	061G0805220	22&8 1/10W
R909	061G0805220	22&8 1/10W
R202	061G0805221	RST CHIPR 220 OHM +-5% 1/8W
R916	061G0805221	RST CHIPR 220 OHM +-5% 1/8W
R910	061G0805222	RST CHIPR 2.2KOHM +-5% 1/8W

R933	061G0805240 1F	2.4KOHM 1/10W 1%
R203	061G0805240 1F	2.4KOHM 1/10W 1%
R201	061G0805240 1F	2.4KOHM 1/10W 1%
R929	061G0805330 2F	33 KOHM 1/10W 1%
R930	061G0805360 1F	3.6KOHM 1/10W 1%
R911	061G0805362	RST CHIPR 3.6 KOHM +-5% 1/8W
R230	061G0805471	470&8 1/10W
R204	061G0805471	470&8 1/10W
R914	061G0805472	RST CHIPR 4.7 KOHM +-5% 1/8W
R213	061G0805472	RST CHIPR 4.7 KOHM +-5% 1/8W
R210	061G0805473	RST CHIPR 47 KOHM +-5% 1/8W
R232	061G0805510 2F	RST CHIPR 51 KOHM +-1% 1/8W
R212	061G0805623	RST CHIPR 62 KOHM +-5% 1/8W
R229	061G0805681	RST CHIPR 680 OHM +-5% 1/8W
R913	061G0805753	CHIP 75KOHM 1/10W
F902	061G1206000	0 OHM 1/8W
R925	061G1206000	0 OHM 1/8W
R903	061G1206332	RST CHIPR 3.3 KOHM +-5% 1/4W
R904	061G1206332	RST CHIPR 3.3 KOHM +-5% 1/4W
R905	061G1206332	RST CHIPR 3.3 KOHM +-5% 1/4W
R900	061G1206334	330KOHM 1/8
R901	061G1206334	330KOHM 1/8
R902	061G1206334	330KOHM 1/8
C908	067G 305100 7T	105 10UF +-20% 50V
C209	067G 305330 7T	33UF 105
	Q44G3770 3 B	EPS(L)
	Q44G3770 4 B	EPS(R)
	Q44G3770700 4B	CARTON
	Q44G3770BRO 2	PAPER-BLOCKED
	Q70G1700700 5B	CD MANUAL

Diversity of T76CM9HBA2DFNCP compared with T76CM9HJA2DLNCP		
Location	Part No.	Description
	Q40G0001700 4A	DELL carton label for Europe
	Q41G780070069A	EMEA PIG

<b>Diversity of T76GM9HJA2DRNCP compared with T76CM9HJA2DLNCP</b>		
<b>Location</b>	<b>Part No.</b>	<b>Description</b>
	089G 728GAA 2D	SIGNAL CABLE
	089G 728LAA 2D	SIGNAL CABLE
	705G780KM34 04	MAIN FRAME ASS'Y
	015G8187 1	MAIN FRAME-CPT/LPL
	750GLG70E1T41D D	LPL 17" DELL CONSIGN PANEL
	CBPC780KG4DLP	MAIN BOARD VER:A00,V6C08
	AIC780KG4DLP	MAIN BOARD
R450	061G0603103	RST CHIPR 10 KOHM +-5% 1/10W
R451	061G0603103	RST CHIPR 10 KOHM +-5% 1/10W
	PWPC1742LGD2P	POWER BOARD VER:A00
Q207	057G 761500	BTD1805D3
Q206	057G 761500	BTD1805D3
	705GQ7K0 65002	A4 ASS'Y
C213	065G 3J1506EM	15PF/3KV
C212	065G 3J1506EM	15PF/3KV
C213	065G 3J1506ET	15PF 5% CC45SL 3KV TDK
C212	065G 3J1506ET	15PF 5% CC45SL 3KV TDK
C214	065G 3J1806EM	18PF +-5% 3KV SL
C211	065G 3J1806EM	18PF +-5% 3KV SL
C214	065G 3J1806ET	18PF 5% SL3KV TDK
C211	065G 3J1806ET	18PF 5% SL3KV TDK
R207	061G0805103	10 KOHM 1/10W

<b>Diversity of T76GM9HMA2DZNCP compared with T76CM9HJA2DLNCP</b>		
<b>Location</b>	<b>Part No.</b>	<b>Description</b>
	089G 728GAA 2D	SIGNAL CABLE
	089G 728LAA 2D	SIGNAL CABLE
	705G780KM34 04	MAIN FRAME ASS'Y
	015G8187 1	MAIN FRAME-CPT/LPL
	750GLG70E1T41D D	LPL 17" DELL CONSIGN PANEL
	CBPC780KG4DLP	MAIN BOARD VER:A00,V6C08
	AIC780KG4DLP	MAIN BOARD
R450	061G0603103	RST CHIPR 10 KOHM +-5% 1/10W
R451	061G0603103	RST CHIPR 10 KOHM +-5% 1/10W
	PWPC1742LGD2P	POWER BOARD
Q207	057G 761500	BTD1805D3
Q206	057G 761500	BTD1805D3

	705GQ7K0 65002	A4 ASS'Y
C213	065G 3J1506EM	15PF/3KV
C212	065G 3J1506EM	15PF/3KV
C213	065G 3J1506ET	15PF 5% CC45SL 3KV TDK
C212	065G 3J1506ET	15PF 5% CC45SL 3KV TDK
C214	065G 3J1806EM	18PF +-5% 3KV SL
C211	065G 3J1806EM	18PF +-5% 3KV SL
C214	065G 3J1806ET	18PF 5% SL3KV TDK
C211	065G 3J1806ET	18PF 5% SL3KV TDK
R207	061G0805103	10 KOHM 1/10W
	Q44G3770700 3B	CARTON

Diversity of T76SM9HBA2DFNCP compared with T76CM9HJA2DLNCP		
Location	Part No.	Description
E089B	089G 728GAA 2D	SIGNAL CABLE
E089B	089G 728LAA 2D	SIGNAL CABLE
	705G780KM34 05	MAIN FRAME ASS'Y
	015G8187 5	MAIN FRAME
	750GLS70U2112D D	SEC 17" D CONSIGN PANEL
	CBPC6SM9DLQP	MAIN BOARD VER:A00,V6C08
R450	061G0603103	RST CHIPR 10 KOHM +-5% 1/10W
R451	061G0603103	RST CHIPR 10 KOHM +-5% 1/10W
	PWPC1742SED2H	POWER BOARD VER:A00
CN204	033G8021 2E U	WAFER
CN203	033G8021 2E U	WAFER
CN202	033G8021 2E U	WAFER
CN201	033G8021 2E U	WAFER
	705GQ7K0 65003	A4 ASS'Y
C214	065G 3J2206ET	22PF 5% SL 3KV TDK
C213	065G 3J2206ET	22PF 5% SL 3KV TDK
C211	065G 3J2206ET	22PF 5% SL 3KV TDK
DB901	093G 50460 8P	BRIDGE DIODE 2KBP08M PANJIT
R207	061G0805103	10 KOHM 1/10W
R230	061G0805511	RST CHIPR 510 OHM +-5% 1/8W
	PW1742SED2AIH	POWER BOARD FOR AI
	Q40G0001700 4A	DELL carton label for Europe
	Q41G780070069A	EMEA PIG



Diversity of T76SM9HJA2DRNCP compared with T76CM9HJA2DLNCP		
Location	Part No.	Description
E089B	089G 728GAA 2D	SIGNAL CABLE
E089B	089G 728LAA 2D	SIGNAL CABLE
E089A	089G401A18NHRA	POWER CORD
	705G780KM34 05	MAIN FRAME ASS'Y
	015G8187 5	MAIN FRAME
	750GLS70U2122D D	SEC 17" D CONSIGN PANEL
	CBPC6SM9DLQP	MAIN BOARD VER:A00,V6C08
R450	061G0603103	RST CHIPR 10 KOHM +-5% 1/10W
R451	061G0603103	RST CHIPR 10 KOHM +-5% 1/10W
	PWPC1742SED2H	POWER BOARD VER:A00
CN204	033G8021 2E U	WAFER
CN203	033G8021 2E U	WAFER
CN202	033G8021 2E U	WAFER
CN201	033G8021 2E U	WAFER
	705GQ7K0 65003	A4 ASS'Y
C214	065G 3J2206ET	22PF 5% SL 3KV TDK
C213	065G 3J2206ET	22PF 5% SL 3KV TDK
C211	065G 3J2206ET	22PF 5% SL 3KV TDK
DB901	093G 50460 8P	BRIDGE DIODE 2KBP08M PANJIT
R207	061G0805103	10 KOHM 1/10W
R230	061G0805511	RST CHIPR 510 OHM +-5% 1/8W

Diversity of T76SM9HMA2DFNCP compared with T76CM9HJA2DLNCP		
Location	Part No.	Description
E089B	089G 728GAA 2D	SIGNAL CABLE
E089B	089G 728LAA 2D	SIGNAL CABLE
	705G780KM34 05	MAIN FRAME ASS'Y
	015G8187 5	MAIN FRAME
	750GLS70U2112D D	SEC 17" D CONSIGN PANEL
	CBPC6SM9DLQP	MAIN BOARD VER:A00,V6C08
R450	061G0603103	RST CHIPR 10 KOHM +-5% 1/10W
R451	061G0603103	RST CHIPR 10 KOHM +-5% 1/10W
	PWPC1742SED2H	POWER BOARD VER:A00
CN204	033G8021 2E U	WAFER
CN203	033G8021 2E U	WAFER
CN202	033G8021 2E U	WAFER
CN201	033G8021 2E U	WAFER

	705GQ7K0 65003	A4 ASS'Y
C214	065G 3J2206ET	22PF 5% SL 3KV TDK
C213	065G 3J2206ET	22PF 5% SL 3KV TDK
C211	065G 3J2206ET	22PF 5% SL 3KV TDK
DB901	093G 50460 8P	BRIDGE DIODE 2KBP08M PANJIT
R207	061G0805103	10 KOHM 1/10W
R230	061G0805511	RST CHIPR 510 OHM +-5% 1/8W
	PW1742SED2AIH	POWER BOARD FOR AI
	Q44G3770700 3B	CARTON

Diversity of T76SM9HMA2DLNCP compared with T76CM9HJA2DLNCP		
Location	Part No.	Description
E089B	089G 728GAA 2D	SIGNAL CABLE
E089B	089G 728LAA 2D	SIGNAL CABLE
	705G780KM34 05	MAIN FRAME ASS'Y
	015G8187 5	MAIN FRAME
	750GLS70U2112D D	SEC 17" D CONSIGN PANEL
	CBPC6SM9DLQP	MAIN BOARD VER:A00,V6C08
R450	061G0603103	RST CHIPR 10 KOHM +-5% 1/10W
R451	061G0603103	RST CHIPR 10 KOHM +-5% 1/10W
	PWPC1742SED2H	POWER BOARD VER:A00
CN204	033G8021 2E U	WAFER
CN203	033G8021 2E U	WAFER
CN202	033G8021 2E U	WAFER
CN201	033G8021 2E U	WAFER
	705GQ7K0 65003	A4 ASS'Y
C214	065G 3J2206ET	22PF 5% SL 3KV TDK
C213	065G 3J2206ET	22PF 5% SL 3KV TDK
C211	065G 3J2206ET	22PF 5% SL 3KV TDK
DB901	093G 50460 8P	BRIDGE DIODE 2KBP08M PANJIT
R207	061G0805103	10 KOHM 1/10W
R230	061G0805511	RST CHIPR 510 OHM +-5% 1/8W
	PW1742SED2AIH	POWER BOARD FOR AI

Diversity of T76SM9HMA2DRNCP compared with T76CM9HJA2DLNCP		
Location	Part No.	Description
E089B	089G 728GAA 2D	SIGNAL CABLE
E089B	089G 728LAA 2D	SIGNAL CABLE

	705G780KM34 05	MAIN FRAME ASS'Y
	015G8187 5	MAIN FRAME
	750GLS70U2122D D	SEC 17" D CONSIGN PANEL
	CBPC6SM9DLQP	MAIN BOARD VER:A00,V6C08
R450	061G0603103	RST CHIPR 10 KOHM +-5% 1/10W
R451	061G0603103	RST CHIPR 10 KOHM +-5% 1/10W
	PWPC1742SED2H	POWER BOARD VER:A00
CN204	033G8021 2E U	WAFER
CN203	033G8021 2E U	WAFER
CN202	033G8021 2E U	WAFER
CN201	033G8021 2E U	WAFER
	705GQ7K0 65003	A4 ASS'Y
C214	065G 3J2206ET	22PF 5% SL 3KV TDK
C213	065G 3J2206ET	22PF 5% SL 3KV TDK
C211	065G 3J2206ET	22PF 5% SL 3KV TDK
DB901	093G 50460 8P	BRIDGE DIODE 2KBP08M PANJIT
R207	061G0805103	10 KOHM 1/10W
R230	061G0805511	RST CHIPR 510 OHM +-5% 1/8W
	PW1742SED2AIH	POWER BOARD FOR AI

<b>Diversity of T76SM9HMA2DZNCPC compared with T76CM9HJA2DLNCP</b>		
<b>Location</b>	<b>Part No.</b>	<b>Description</b>
E089B	089G 728GAA 2D	SIGNAL CABLE
E089B	089G 728LAA 2D	SIGNAL CABLE
	705G780KM34 05	MAIN FRAME ASS'Y
	015G8187 5	MAIN FRAME
	750GLS70U2122D D	SEC 17" D CONSIGN PANEL
	CBPC6SM9DLQP	MAIN BOARD VER:A00,V6C08
R450	061G0603103	RST CHIPR 10 KOHM +-5% 1/10W
R451	061G0603103	RST CHIPR 10 KOHM +-5% 1/10W
	PWPC1742SED2H	POWER BOARD VER:A00
CN204	033G8021 2E U	WAFER
CN203	033G8021 2E U	WAFER
CN202	033G8021 2E U	WAFER
CN201	033G8021 2E U	WAFER
	705GQ7K0 65003	A4 ASS'Y
C214	065G 3J2206ET	22PF 5% SL 3KV TDK
C213	065G 3J2206ET	22PF 5% SL 3KV TDK
C211	065G 3J2206ET	22PF 5% SL 3KV TDK

DB901	093G 50460 8P	BRIDGE DIODE 2KBP08M PANJIT
R207	061G0805103	10 KOHM 1/10W
R230	061G0805511	RST CHIPR 510 OHM +-5% 1/8W
	PW1742SED2AIH	POWER BOARD FOR AI
	Q44G3770700 3B	CARTON

Diversity of T76SM9HBA2DZNCPC compared with T76CM9HJA2DLNCP		
Location	Part No.	Description
	044G6000 4 6B	PAPER BOARD
	044G600210A	PAPER BOARD
	044G9003 90	CORNER PAPER
	044G9003147	CORNER PAPER
	044GSLIP10018A	PLASTIC SLIP SHEET
E089B	089G 728LAA 2D	SIGNAL CABLE
	705G780KM34 05	MAIN FRAME ASS'Y
	015G8187 5	MAIN FRAME
	750GLS70U2122D D	SEC 17" D CONSIGN PANEL
	CBPC6SM9DLQP	MAIN BOARD VER:A00,V6C08
C717	067G305V100 3	105 10UF +-20% 16V
C403	067G305V100 3	105 10UF +-20% 16V
C408	067G305V100 3	105 10UF +-20% 16V
C418	067G305V100 3	105 10UF +-20% 16V
C710	067G305V101 3	105 100UF M 16V
C712	067G305V101 3	105 100UF M 16V
R450	061G0603103	RST CHIPR 10 KOHM +-5% 1/10W
R451	061G0603103	RST CHIPR 10 KOHM +-5% 1/10W
	PWPC1742SED2H	POWER BOARD VER:A00
CN204	033G8021 2E U	WAFER
CN203	033G8021 2E U	WAFER
CN202	033G8021 2E U	WAFER
CN201	033G8021 2E U	WAFER
P051	051G 6 4503	RTV
	705GQ7K0 65003	A4 ASS'Y
C211	065G 3J2206ET	22PF 5% SL 3KV TDK
C213	065G 3J2206ET	22PF 5% SL 3KV TDK
C214	065G 3J2206ET	22PF 5% SL 3KV TDK
DB901	093G 50460 8P	BRIDGE DIODE 2KBP08M PANJIT
R207	061G0805103	10 KOHM 1/10W
R230	061G0805511	RST CHIPR 510 OHM +-5% 1/8W
	PW1742SED2AIH	POWER BOARD FOR AI

C209	067G 305330 7T	33UF 105
	Q52G6025 13 84	MYLAR
T901	S80GL17T29VW	TRANSFORMER DISCRETENESS
	Q01G6019 2	SCREW
	Q01G6019 2	SCREW
	Q40G0001700 4A	DELL CARTON LABEL FOR EUROPE
	Q41G780070069A	EMEA PIG

**Diversity of T76AM9HMFDDGN compared with T76AM9HMFDDDN**

Location	Part No.	Description
	750GLU70G1D22Z000D	PANEL M170EG01 VD0A ZBD DELL AUO

**Diversity of T76KM9HKA2DFN compared with T76CM9HJA2DLNCP**

Location	Part No.	Description
	044G9003 71	CORNER PAPER
	044G9003147	CORNER PAPER
	044GSLIP10018A	PLASTIC SLIP SHEET
E089B	089G 728LAA 2D	SIGNAL CABLE
E089A	089G402A18NISD	POWER CORD
	705G780KM34 03	MAIN FRAME ASS'Y
	015G8187 3	MAIN FRAME-HYDIS
E750L	750GLK70E11A1Z000D	PANEL HT170E01-101 511A ZBD BJ BOE
	CBPC6KM9DLQP	MAIN BOARD VER:A00,V6C08
U402	056G1133 74	SST25VF010A-33-4C-SAE
R451	061G0603103	RST CHIPR 10 KOHM +-5% 1/10W
R450	061G0603103	RST CHIPR 10 KOHM +-5% 1/10W
D407	093G 60230	BAT54C(L43)
	PWPC1742HDD2H	POWER BOARD VER:A00
C926	067G215Y4713RV	LOW E.S.R 470UF +-20% 16V
L903	073G 253 91 L	CHOKE BY LI TA
L904	073G 253 91 L	CHOKE BY LI TA
PT202	080GL17T 28 YS	X'FMR YSTDA500101G
PT201	080GL17T 28 YS	X'FMR YSTDA500101G
	705GQ7K0 65004	A4 ASS'Y
C211	065G 3J1806ET	18PF 5% SL3KV TDK
C214	065G 3J1806ET	18PF 5% SL3KV TDK
C213	065G 3J2206ET	22PF 5% SL 3KV TDK
C923	067G215L102 4R	LOW E.S.R 1000UF +/-20% 25V
C924	067G215L102 4R	LOW E.S.R 1000UF +/-20% 25V
C931	067G215L102 4R	LOW E.S.R 1000UF +/-20% 25V

DB901	093G 50460510	2KBP08M 2A 800V
R207	061G0805103	10 KOHM 1/10W
	Q40G 17N700 7C	RATING LABEL
	Q40G0001700 4A	DELL carton label
	Q41G780070057A	PIG FOR E177FP DAO

<b>Diversity of T76KM9HKA2DFNC compared with T76CM9HJA2DLNCP</b>		
<b>Location</b>	<b>Part No.</b>	<b>Description</b>
	044G9003 71	CORNER PAPER
	044G9003147	CORNER PAPER
	044GSLIP10018A	PLASTIC SLIP SHEET
E089B	089G 728LAA 2D	SIGNAL CABLE
E089A	089G402A18NISD	POWER CORD
	705G780KM34 03	MAIN FRAME ASS'Y
	015G8187 3	MAIN FRAME-HYDIS
E750L	750GLK70E1191D000D	PANEL HT170E01-101 561A ZBD BJ BOE
	CBPC6KM9DLQP	MAIN BOARD VER:A00,V6C08
U402	056G1133 74	SST25VF010A-33-4C-SAE
R451	061G0603103	RST CHIPR 10 KOHM +-5% 1/10W
R450	061G0603103	RST CHIPR 10 KOHM +-5% 1/10W
D407	093G 60230	BAT54C(L43)
	PWPC1742HDD2H	POWER BOARD VER:A00
C926	067G215Y4713RV	LOW E.S.R 470UF +-20% 16V
L903	073G 253 91 L	CHOKER BY LI TA
L904	073G 253 91 L	CHOKER BY LI TA
PT202	080GL17T 28 YS	X'FMR YSTDA500101G
PT201	080GL17T 28 YS	X'FMR YSTDA500101G
	705GQ7K0 65004	A4 ASS'Y
C211	065G 3J1806ET	18PF 5% SL3KV TDK
C214	065G 3J1806ET	18PF 5% SL3KV TDK
C213	065G 3J2206ET	22PF 5% SL 3KV TDK
C923	067G215L102 4R	LOW E.S.R 1000UF +/-20% 25V
C924	067G215L102 4R	LOW E.S.R 1000UF +/-20% 25V
C931	067G215L102 4R	LOW E.S.R 1000UF +/-20% 25V
DB901	093G 50460510	2KBP08M 2A 800V
R207	061G0805103	10 KOHM 1/10W
	Q40G 17N700 7C	RATING LABEL
	Q40G0001700 4A	DELL CARTON LABEL
	Q41G780070057A	PIG FOR E177FP DAO

Diversity of T76SM9HMFDDDN compared with T76AM9HMFDDDN		
Location	Part No.	Description
E089B	089G 728LAA 2D	SIGNAL CABLE
	0M1G3030 4125	SCREW
	705GQ715001	MAIN FRAME ASS'Y(17")
	Q15G0187 2	MAINFRAME
	750GLS70U3131Z000D	PANEL LTM170EU-L31 CN1 ZBD SEC
	CBPC6SM9DLQ1	MAING1565-2-2-DEL-1-070413 VER:A00,V6C08

Diversity of T76SM9HMFDDGN compared with T76AM9HMFDDDN		
Location	Part No.	Description
E089B	089G 728LAA 2D	SIGNAL CABLE
	0M1G3030 4125	SCREW
	705GQ715001	MAIN FRAME ASS'Y(17")
	Q15G0187 2	MAINFRAME
	750GLS70U3141Z000D	PANEL LTM170EU-L31 CL1 ZBD SEC
	CBPC6SM9DLQ1	MAIN BOARD VER:A00,V6C08

Diversity of T76KM9HJA2DLNC compared with T76CM9HJA2DLNCP		
Location	Part No.	Description
E089B	089G 728LAA 2D	SIGNAL CABLE
E089A	089G401A18NHRA	POWER CORD
	705G780KM34 03	MAIN FRAME ASS'Y
	015G8187 3	MAIN FRAME-HYDIS
E750L	750GLK70E1191D000D	PANEL HT170E01-101 561A ZBD BJ BOE
	CBPC6KM9DLQP	MAIN BOARD VER:A00,V6C08
U402	056G1133 74	SST25VF010A-33-4C-SAE
R450	061G0603103	RST CHIPR 10 KOHM +-5% 1/10W
R451	061G0603103	RST CHIPR 10 KOHM +-5% 1/10W
D407	093G 60230	BAT54C(L43)
	PWPC1742HDD2H	POWER BOARD VER:A00
C926	067G215Y4713RV	LOW E.S.R 470UF +-20% 16V
L903	073G 253 91 L	CHOKE BY LI TA
L904	073G 253 91 L	CHOKE BY LI TA
PT202	080GL17T 28 YS	X'FMR YSTDA500101G
PT201	080GL17T 28 YS	X'FMR YSTDA500101G
	705GQ7K0 65004	A4 ASS'Y
C211	065G 3J1806ET	18PF 5% SL3KV TDK
C214	065G 3J1806ET	18PF 5% SL3KV TDK

C213	065G 3J2206ET	22PF 5% SL 3KV TDK
C923	067G215L102 4R	LOW E.S.R 1000UF +/-20% 25V
C924	067G215L102 4R	LOW E.S.R 1000UF +/-20% 25V
C931	067G215L102 4R	LOW E.S.R 1000UF +/-20% 25V
DB901	093G 50460510	2KBP08M 2A 800V
	PW1742HDD2SMTH	POWER BOARD FOR SMT
R207	061G0805103	10 KOHM 1/10W
	PW1742HDD2AIH	POWER BOARD FOR AI
	Q44G3770700 4C	CARTON

<b>Diversity of T76KM9HMA2DFNC compared with T76CM9HJA2DLNCP</b>		
<b>Location</b>	<b>Part No.</b>	<b>Description</b>
E089B	089G 728LAA 2D	SIGNAL CABLE
	705G780KM34 03	MAIN FRAME ASS'Y
	015G8187 3	MAIN FRAME-HYDIS
E750L	750GLK70E1191D000D	PANEL HT170E01-101 561A ZBD BJ BOE
	CBPC6KM9DLQP	MAIN BOARD VER:A00,V6C08
U402	056G1133 74	SST25VF010A-33-4C-SAE
R451	061G0603103	RST CHIPR 10 KOHM +-5% 1/10W
R450	061G0603103	RST CHIPR 10 KOHM +-5% 1/10W
D407	093G 60230	BAT54C(L43)
	PWPC1742HDD2H	POWER BOARD VER:A00
C926	067G215Y4713RV	LOW E.S.R 470UF +-20% 16V
L903	073G 253 91 L	CHOKER BY LI TA
L904	073G 253 91 L	CHOKER BY LI TA
PT202	080GL17T 28 YS	X'FMR YSTDA500101G
PT201	080GL17T 28 YS	X'FMR YSTDA500101G
	705GQ7K0 65004	A4 ASS'Y
C214	065G 3J1806ET	18PF 5% SL3KV TDK
C211	065G 3J1806ET	18PF 5% SL3KV TDK
C213	065G 3J2206ET	22PF 5% SL 3KV TDK
C931	067G215L102 4R	LOW E.S.R 1000UF +/-20% 25V
C924	067G215L102 4R	LOW E.S.R 1000UF +/-20% 25V
C923	067G215L102 4R	LOW E.S.R 1000UF +/-20% 25V
DB901	093G 50460510	2KBP08M 2A 800V
R207	061G0805103	10 KOHM 1/10W
	Q07G 1 5D30	WOODEN PALLET
	Q40G 17N700 7C	RATING LABEL
	Q41G780070081A	DELL ROHS CARD



	Q44G3770700 3C	CARTON
--	----------------	--------