

SUMMARY

	Page
I INTRODUCTION.....	1
II STV5722 APPLICATION	1
III STV5722 FM AUDIO APPLICATION	1
IV STV5726 : 4 VIDEO HEADS AMPLIFICATION	4
V PCB LAYOUT PATTERN	7
VI SILKSCREEN PRINTING PATTERN	7

I - INTRODUCTION

ONE PCB, THREE APPLICATIONS,
MANY OPTIONS.

To take advantage of the pin to pin compatibility of the 2 heads video amplifier STV5722 with the 4 heads video amplifier STV5726 is the guideline of this demoboard.

With one PCB three main applications can be realized :

- STV5722 in a 2 video heads playback/record solution
- STV5722 in a 2 FM audio playback/record solution
- STV5726 in a 4 video heads playback/record solution.

Additionally the PCB layout of the board offers the user several application options as desired.

II - STV5722 APPLICATION

The demoboard is mounted according to the typical application diagram (Figure 1).

A single 5V supply line is necessary for both playback and record mode.

Application options allowed by the PCB layout

Figure 2 gives an example of an electrical diagram using the PCB options.

- R7, C14 low pass filter can be added on the playback envelop signal (TRIV : TRacking Information Video)
- R6, D2 is an optional circuit that can be used to increase the record circuit when recording on a premagnetized tape (OWR : overwriting)
- R9 is also an optional component which allows to change the recording current from head to head. This may be used when the recording efficiency is a little bit different from one head to the other (low cost scanners).

III - STV5722 FM AUDIO APPLICATION

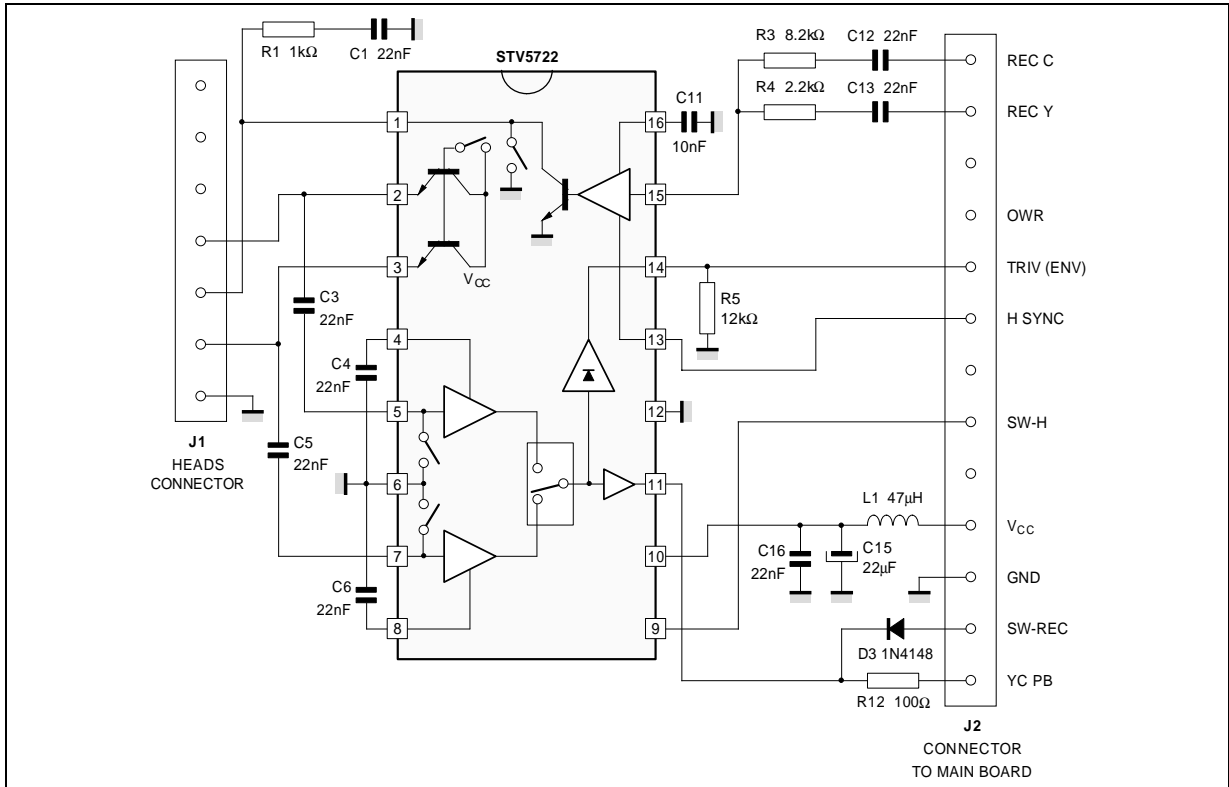
The STV5722 can be used as a FM Audio head amplifier. To do so, a external buffer circuit can be implemented on the board.

With this configuration the playback gain is increased from 60dB (typ.) to 68.6dB (typ.) (such a high gain is normally requested for FM audio head amplification).

Figure 3 gives an example in which the board has been configured for FM audio amplification.

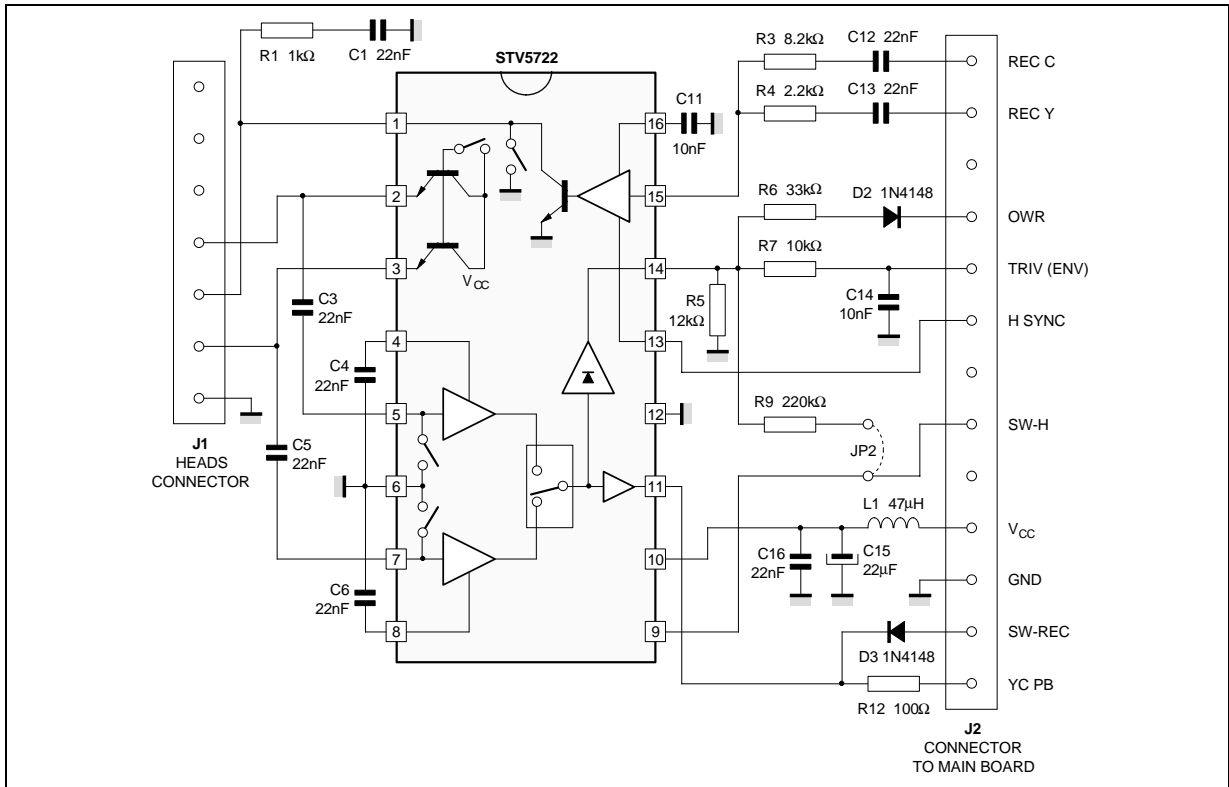
STV5722 - STV5726 DEMOBOARD

Figure 1 : STV5722 Typical Application (2 video heads)



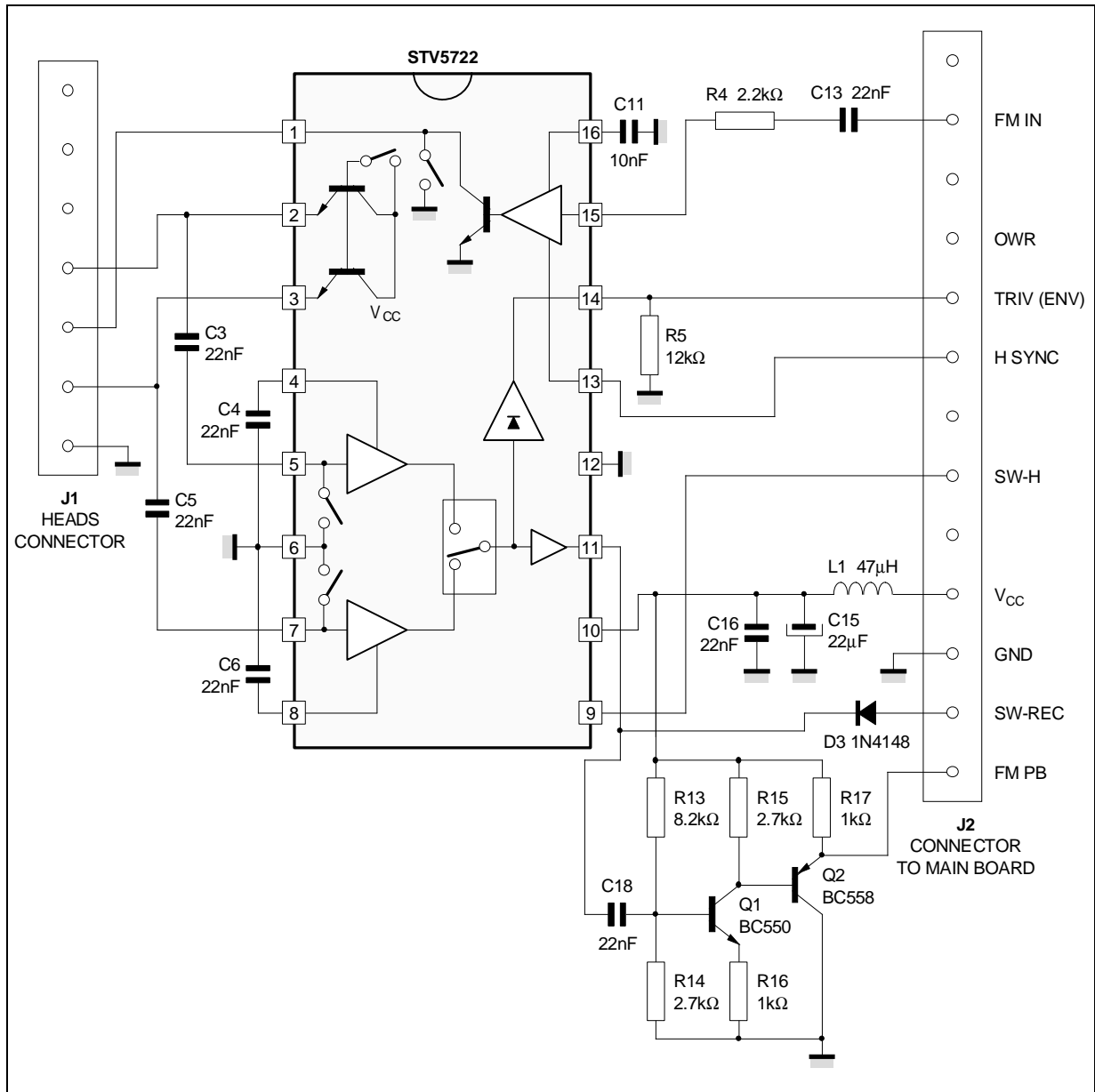
AN630-01-1.EPS

Figure 2 : STV5722 Application Example using the PCB Layout Options



AN630-02.EPS

Figure 3 : STV5722 FM Audio Application



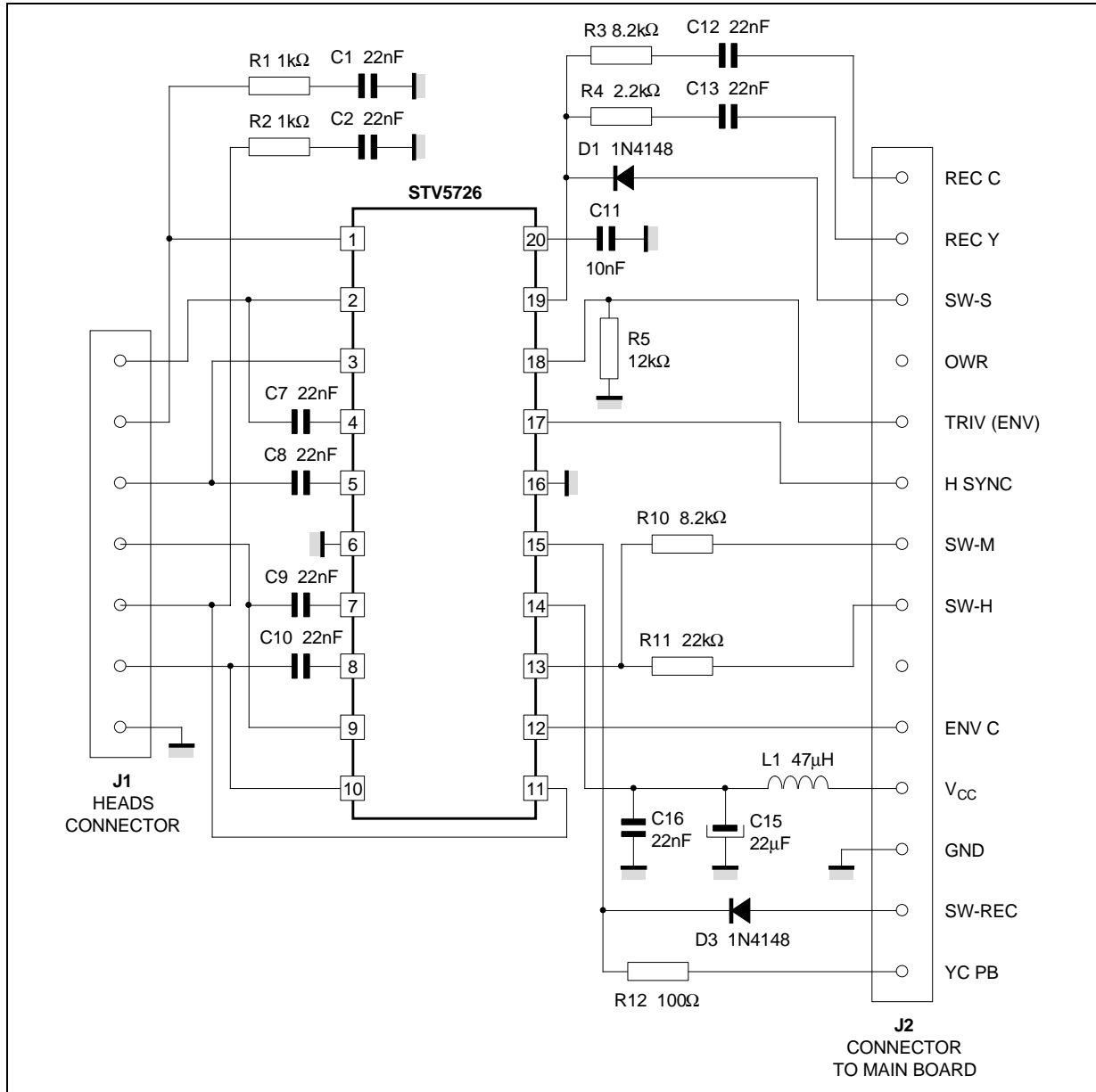
AN630-03.EPS

STV5722 - STV5726 DEMOBOARD

IV - STV5726 : 4 VIDEO HEADS AMPLIFICATION

The demoboard is mounted according to the typical application diagram (Figure 4).
A single 5V supply line is necessary for both playback and record mode.

Figure 4 : STV5726 Typical Application



AN630-04.EPS

Application options allowed by the PCB layout

Figure 5 gives an example of an electrical diagram using the PCB options.

- R7, C14 low pass filter can be added on the playback envelop signal (TRIV : TRacking Information Video)
- R6, D2 is an optional circuit that can be used to increase the record circuit when recording on a premagnetized tape (OWR : overwriting)
- R8 allows to change the record gain from SP to LP mode
- R9 JP2 allows to change the record current from

head to head (only for low cost scanner where small gain difference may appear from head to head).

JP2 is connected to SW-H input if

$$G_C (H2LP) < G_C (H1LP)$$

JP2 is connected to ENV-C output if

$$G_2 (H2LP) < G_C (H1LP)$$

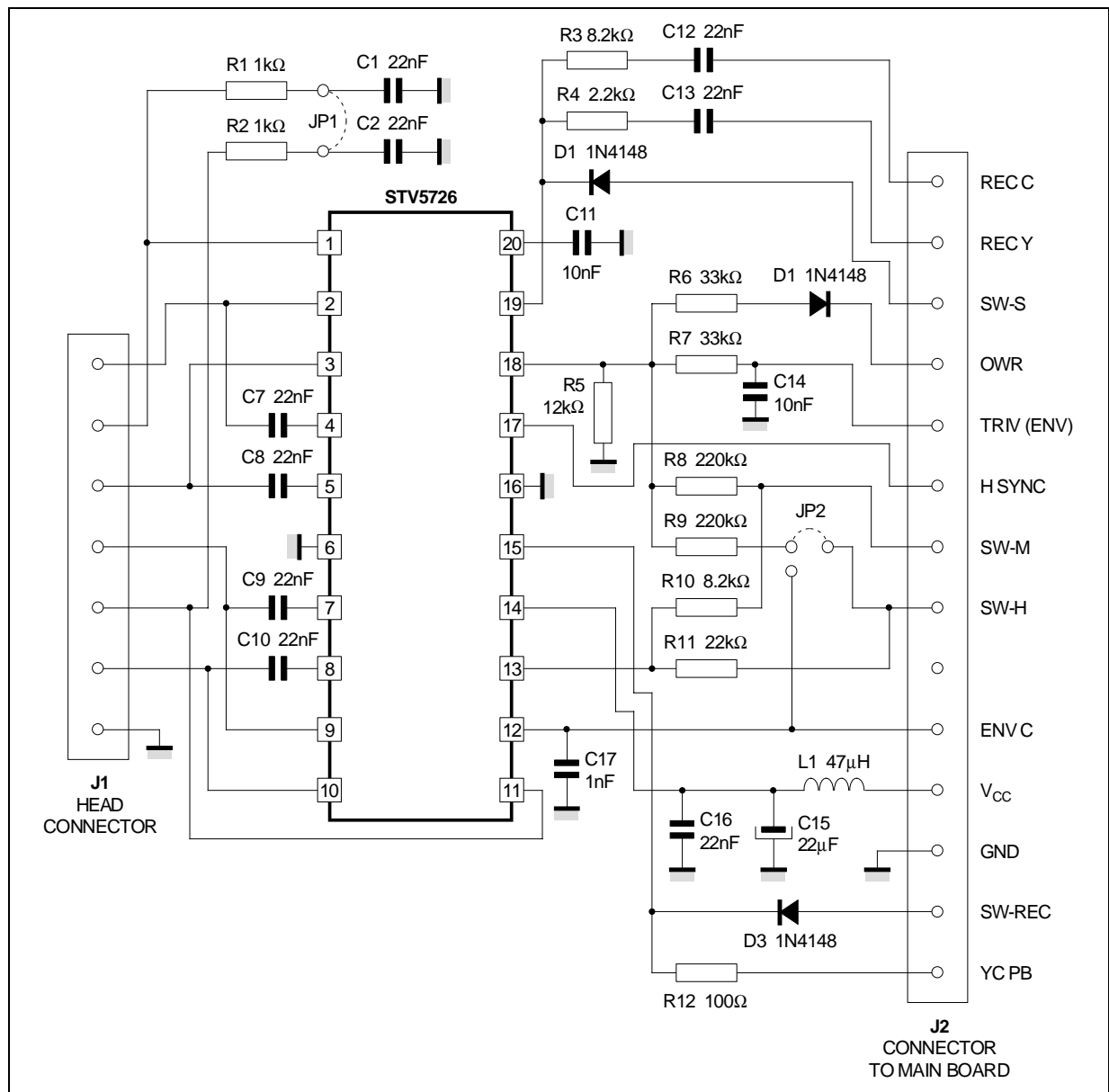
G_C is the required current gain for the amplifier to compensate the gain difference in the scanner

- C17 may be used to filter ENV C output.

* JP1 : when possible this jumper can be used to simplify the record damping filters R1 C1 and R2 C2.

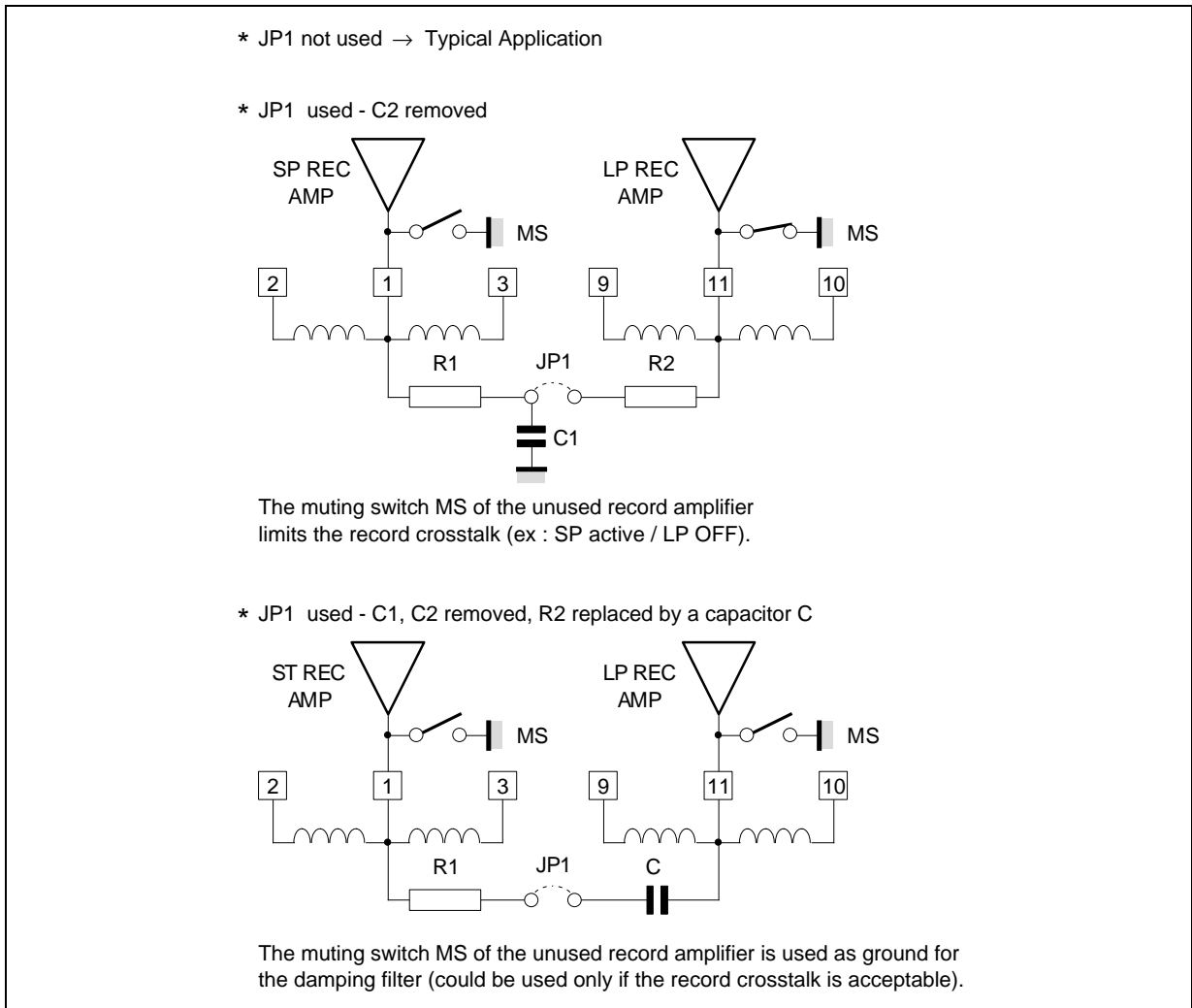
Example are given in Figure 6.

Figure 5 : STV5726 Application Example using the PCB Layout Options



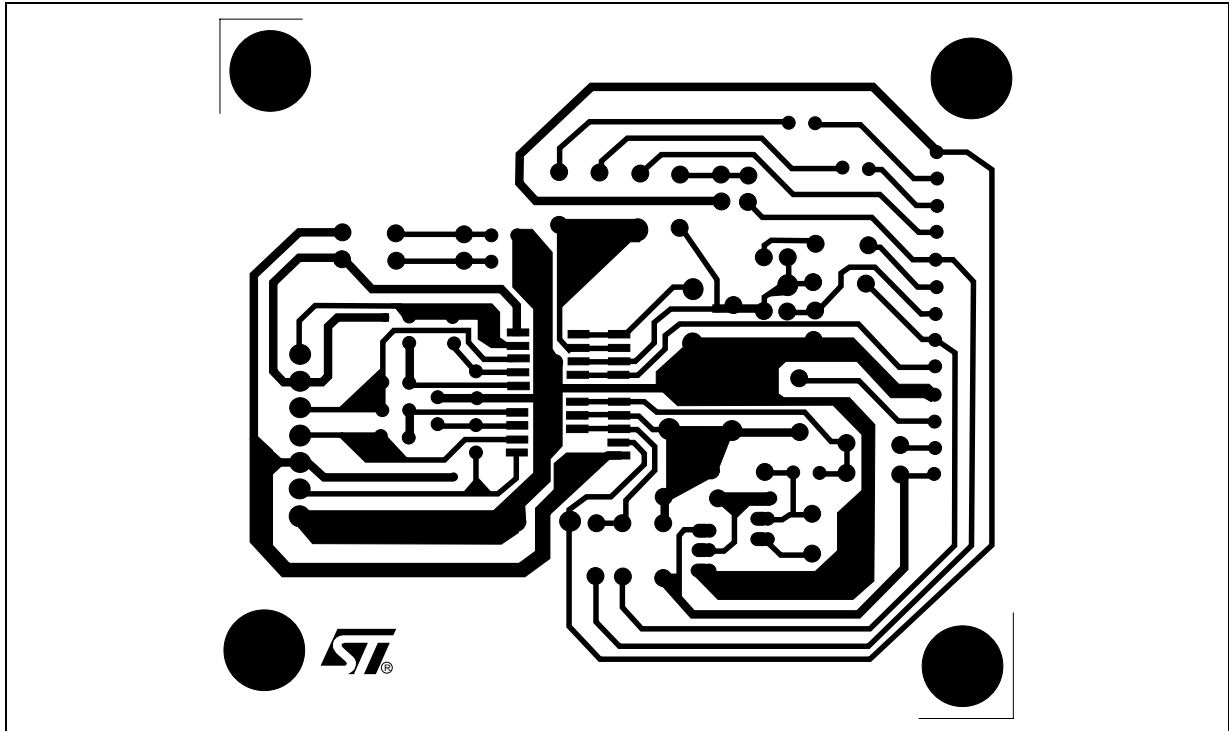
AN630-05/EPS

Figure 6 : How to use JP1 to simplify the record damping filter



V - PCB LAYOUT PATTERN (copper side)

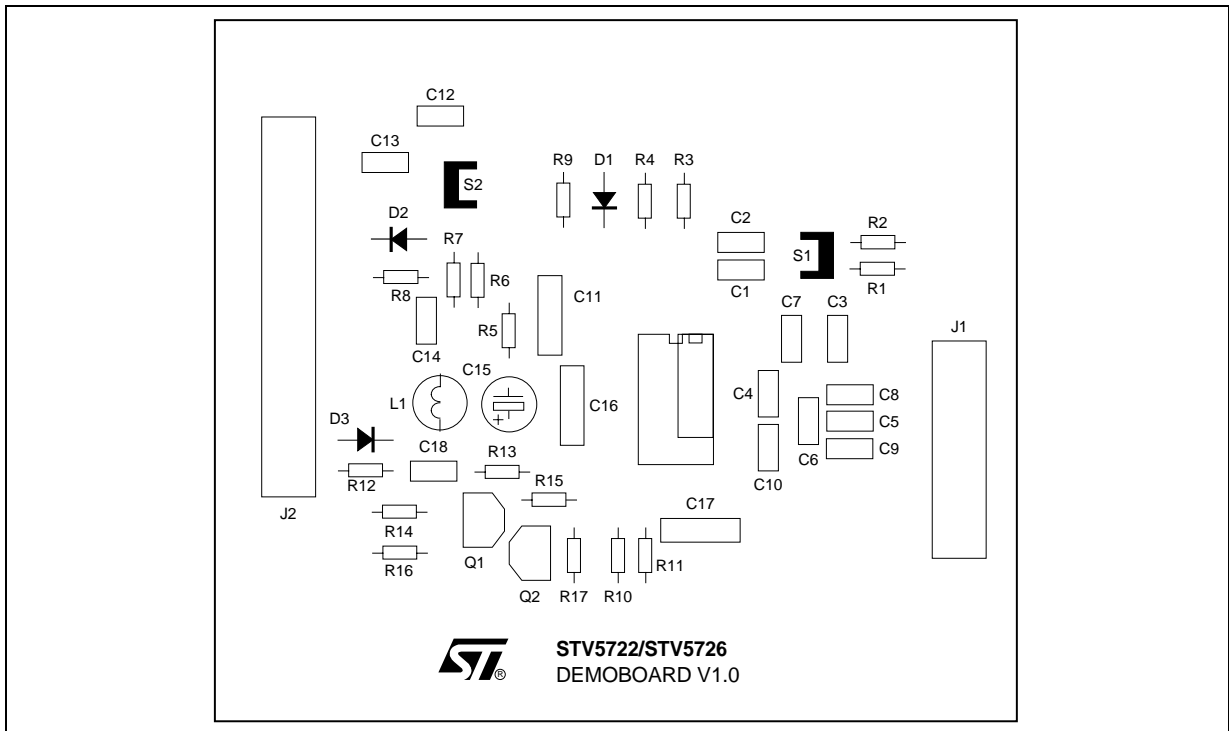
Figure 7



AN630-07.EPS

VI - SILKSCREEN PRINTING PATTERN (components side)

Figure 8



AN630-08.EPS

Information furnished is believed to be accurate and reliable. However, SGS-THOMSON Microelectronics assumes no responsibility for the consequences of use of such information nor for any infringement of patents or other rights of third parties which may result from its use. No licence is granted by implication or otherwise under any patent or patent rights of SGS-THOMSON Microelectronics. Specifications mentioned in this publication are subject to change without notice. This publication supersedes and replaces all information previously supplied. SGS-THOMSON Microelectronics products are not authorized for use as critical components in life support devices or systems without express written approval of SGS-THOMSON Microelectronics.

© 1994 SGS-THOMSON Microelectronics - All Rights Reserved

Purchase of I²C Components of SGS-THOMSON Microelectronics, conveys a license under the Philips I²C Patent. Rights to use these components in a I²C system, is granted provided that the system conforms to the I²C Standard Specifications as defined by Philips.

SGS-THOMSON Microelectronics GROUP OF COMPANIES

Australia - Brazil - China - France - Germany - Hong Kong - Italy - Japan - Korea - Malaysia - Malta - Morocco
The Netherlands - Singapore - Spain - Sweden - Switzerland - Taiwan - Thailand - United Kingdom - U.S.A.