

PLEASE CHECK WWW.MOLEX.COM FOR LATEST PART INFORMATION

Part Number: [0855425003](#)
Status: **Active**
Overview: [modular_plugs_jacks](#)
Description: Modular Jack, Right Angle, Low Profile, Shielded, 8/8

Documents:

[3D Model](#) [Product Specification PS-95622-001 \(PDF\)](#)
[Application Specification \(PDF\)](#) [RoHS Certificate of Compliance \(PDF\)](#)
[Drawing \(PDF\)](#)

General

Product Family	Modular Jacks/Plugs
Series	85542
Comments	Enhanced panel grounding tabs
Component Type	PCB Jack
Magnetic	No
Overview	modular_plugs_jacks
Performance Category	3
Power over Ethernet (PoE)	N/A
Product Name	RJ45

Physical

Boot Color	N/A
Color - Resin	Black
Durability (mating cycles max)	500
Inverted / Top Latch	No
Lightpipes/LEDs	None
Material - Metal	Brass, Phosphor Bronze
Material - Plating Mating	Gold
Material - Plating Termination	Tin
Material - Resin	High Temperature Thermoplastic
Orientation	Right Angle (Side Entry)
PCB Locator	Yes
PCB Retention	Yes
PCB Thickness Recommended (in)	0.062 In
PCB Thickness Recommended (mm)	1.57 mm
Packaging Type	Embossed Tape on Reel
Pitch - Mating Interface (in)	0.040 In
Pitch - Mating Interface (mm)	1.02 mm
Pitch - Term. Interface (in)	0.050 In
Pitch - Term. Interface (mm)	1.27 mm
Plating min: Mating (µin)	50.8
Plating min: Mating (µm)	1.27
Plating min: Termination (µin)	76
Plating min: Termination (µm)	1.9
Ports	1
Positions / Loaded Contacts	8/8
Surface Mount Compatible (SMC)	Yes
Temperature Range - Operating	-40°C to +80°C
Termination Interface: Style	Surface Mount
Waterproof / Dustproof	No
Wire/Cable Type	N/A

Electrical

Current - Maximum per Contact	1.5A
Grounding to Panel	Additional Grounding Springs

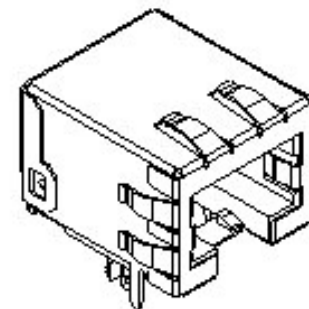


image - Reference only

Series

EU RoHS

**ELV and RoHS
Compliant**

REACH SVHC

Contains SVHC: No

Halogen-Free

Status

Halogen-Free

China RoHS



**Need more information on product
environmental compliance?**

Email productcompliance@molex.com
 For a multiple part number RoHS Certificate of
 Compliance, [click here](#)

Please visit the [Contact Us](#) section for any
 non-product compliance questions.

Search Parts in this Series

[85542Series](#)

Mates With

FCC 68 Jacks

Shielded	Yes
Voltage - Maximum	125V AC (RMS)

Solder Process Data

Duration at Max. Process Temperature (seconds)	45
Lead-free Process Capability	Wave Capable (TH only)
Max. Cycles at Max. Process Temperature	1
Process Temperature max. C	260

Material Info

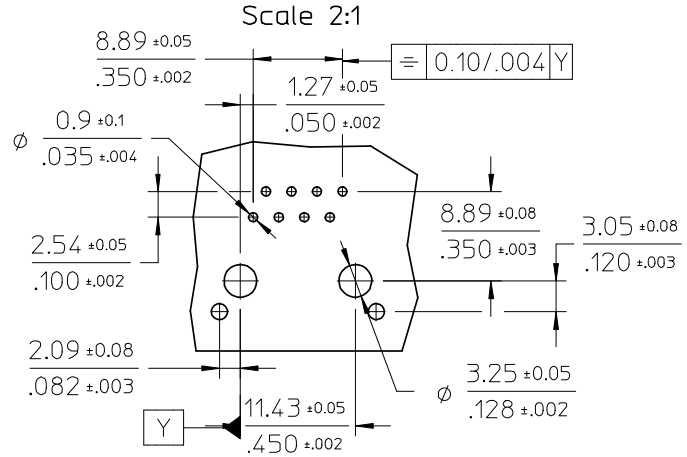
Reference - Drawing Numbers

Packaging Specification	PK-85542-003
Product Specification	PS-95622-001
Sales Drawing	SD-85542-503

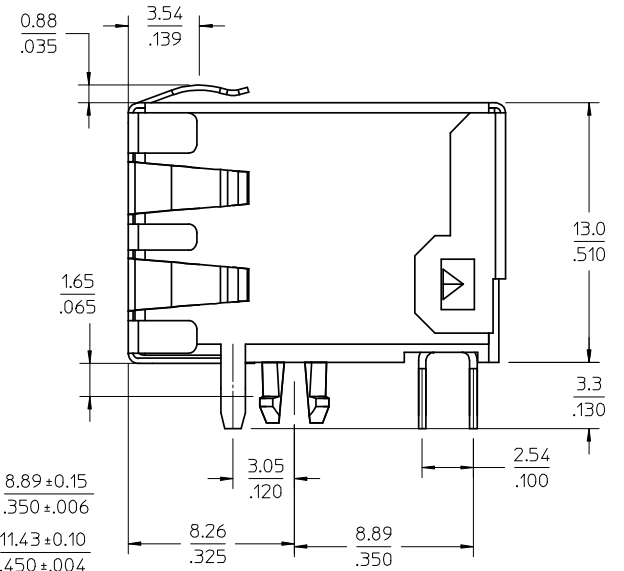
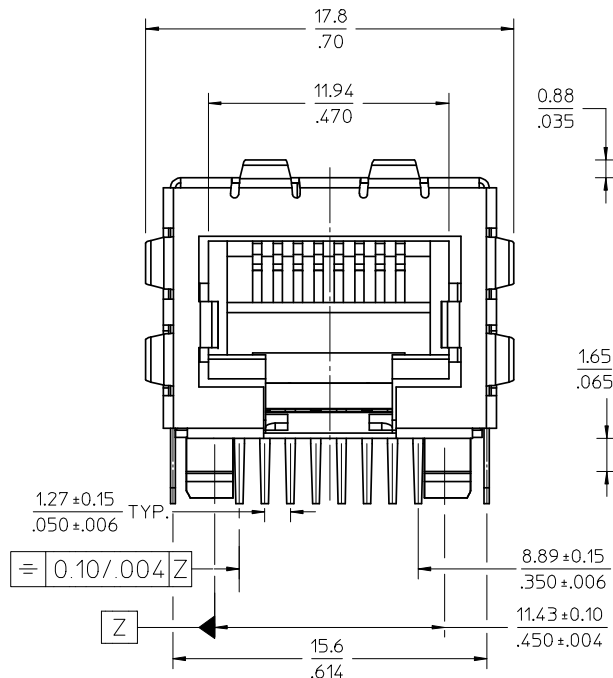
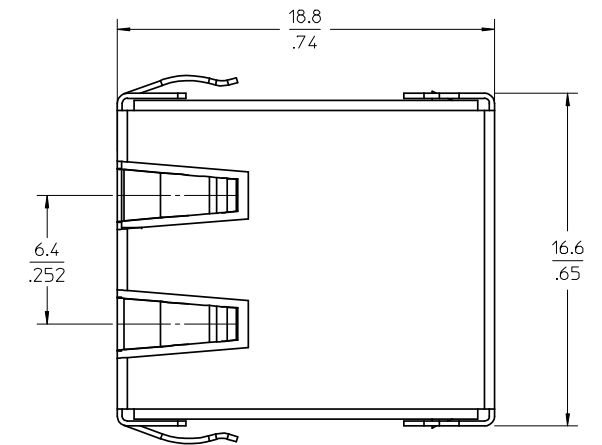
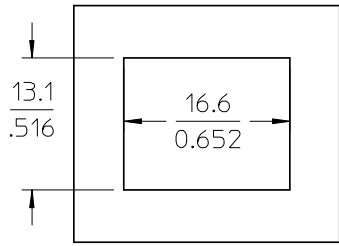
This document was generated on 06/08/2010

PLEASE CHECK WWW.MOLEX.COM FOR LATEST PART INFORMATION

P.C.B. MOUNTING PATTERNS
VIEW FROM COMPONENT SIDE



SUGGESTED PANEL CUTOUT
Scale 2:1



TECHNICAL SPECIFICATIONS:

MATERIAL:

HOUSING: LCP GLASS FILLED UL94V-0
COLOR BLACK

TERMINAL: PHOSPHOR BRONZE PLATED WITH:
0.00127/.000050 MIN GOLD IN CONTACT AREA
0.00190/.000075 MIN PURE TIN IN TAIL AREA
BOTH OVER 0.00127/.000050 MIN NICKEL OVERALL

SHIELD: BRASS PLATED WITH 0.0020/.000078 MIN PURE TIN

NOTES:

- 1- JACK FOR MATING WITH RJ45 PLUG
MOLEX 95043 SERIES
- 2- PRODUCT SPECIFICATION: PS-95622-001
- 3- PACKAGING SPECIFICATION PK-85542-003
- 4- PCB BOARD THICKNESS: 1.57/.062

CORRECTED PRODUCT SPEC EC NO: E2008-0405 DRWN: DBYRNES 2008/01/30 CHKD: 2008/01/30 APPR: EOMAHONY2008/01/31	QUALITY SYMBOLS	GENERAL TOLERANCES (UNLESS SPECIFIED)	SCALE 4:1	DESIGN UNITS METRIC	THIRD ANGLE PROJECTION	REVISE ON CAD ONLY																				
		<table border="1"> <tr><th colspan="2">mm</th><th colspan="2">INCH</th></tr> <tr><td>4 PLACES</td><td>± ---</td><td>± ---</td><td>± ---</td></tr> <tr><td>3 PLACES</td><td>± ---</td><td>± .10</td><td>± ---</td></tr> <tr><td>2 PLACES</td><td>± 0.25</td><td>± .14</td><td>± ---</td></tr> <tr><td>1 PLACE</td><td>± 0.35</td><td>± ---</td><td>± ---</td></tr> </table>	mm		INCH		4 PLACES	± ---	± ---	± ---	3 PLACES	± ---	± .10	± ---	2 PLACES	± 0.25	± .14	± ---	1 PLACE	± 0.35	± ---	± ---	DIMENSION STYLE MM/IN	TITLE	R/A FULLY SHIELDED JACK 8/8 T/HOLE W. FRONT SHIELD SPRINGS	
		mm		INCH																						
		4 PLACES	± ---	± ---	± ---																					
3 PLACES	± ---	± .10	± ---																							
2 PLACES	± 0.25	± .14	± ---																							
1 PLACE	± 0.35	± ---	± ---																							
DRAFT WHERE APPLICABLE MUST REMAIN WITHIN DIMENSIONS	<table border="1"> <tr><td>DRAWN BY</td><td>DATE</td></tr> <tr><td>DBYRNES</td><td>2006/09/05</td></tr> <tr><td>CHECKED BY</td><td>DATE</td></tr> <tr><td>EOMAHONY</td><td>2006/09/06</td></tr> <tr><td>APPROVED BY</td><td>DATE</td></tr> <tr><td>EOMAHONY</td><td>2006/09/06</td></tr> </table>	DRAWN BY	DATE	DBYRNES	2006/09/05	CHECKED BY	DATE	EOMAHONY	2006/09/06	APPROVED BY	DATE	EOMAHONY	2006/09/06		MOLEX INCORPORATED											
DRAWN BY	DATE																									
DBYRNES	2006/09/05																									
CHECKED BY	DATE																									
EOMAHONY	2006/09/06																									
APPROVED BY	DATE																									
EOMAHONY	2006/09/06																									
		MATERIAL NO. 85542-5003	DOCUMENT NO. SD-85542-503	SHEET NO. 1 OF 1																						