

M52461GP

SERVO MOTER MOTROL FOR RADIO CONTROL

REJ03F0006-0100Z

Rev.1.00

Jul.25.2003

Description

The M52461GP is a semiconductor integrated circuit for servo control applications.

Features

- Excellent power supply stability and temperature stability
- Simple setting of dead of band range
- Small outline (16pin SSOP)

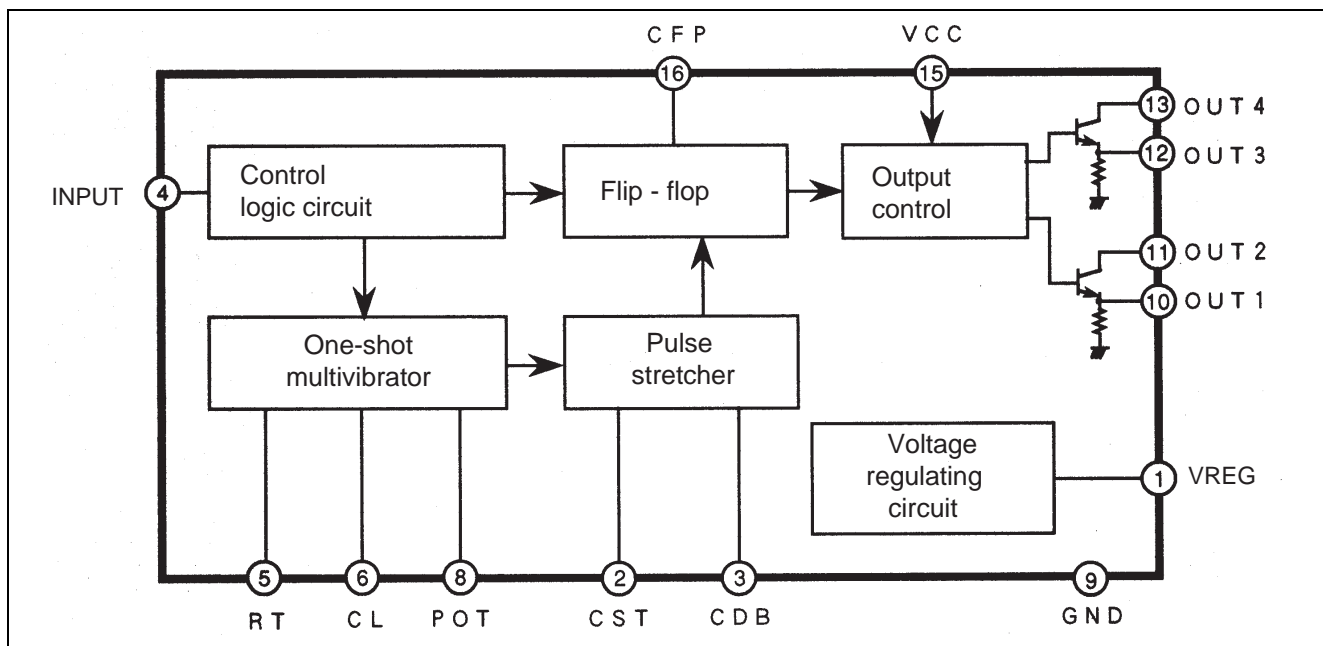
Applications

- Digital proportional systems for radio control, servo motor control ,etc

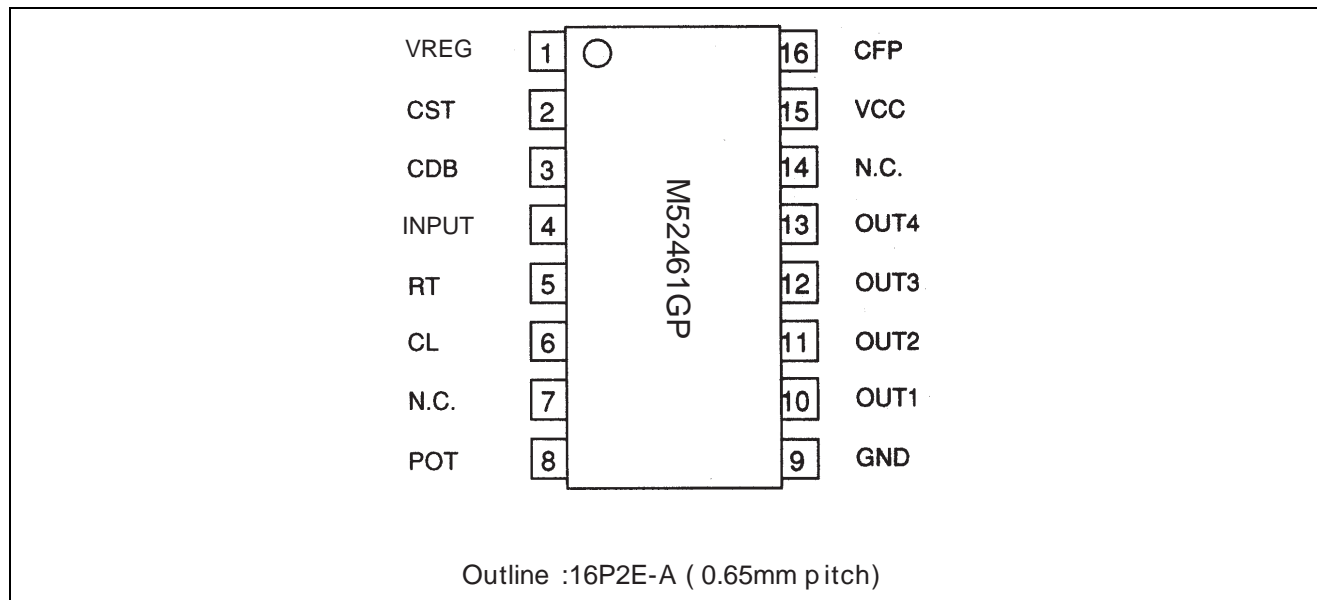
Recommended Operating Conditions

- Supply Voltage range : 2.8 to 7.5 V
- Operating temperature : -20 to 75°C
- Input rise time : 500 nS max.
- Input fall time : 500 nS max.

Block Diagram



Pin Arrangement



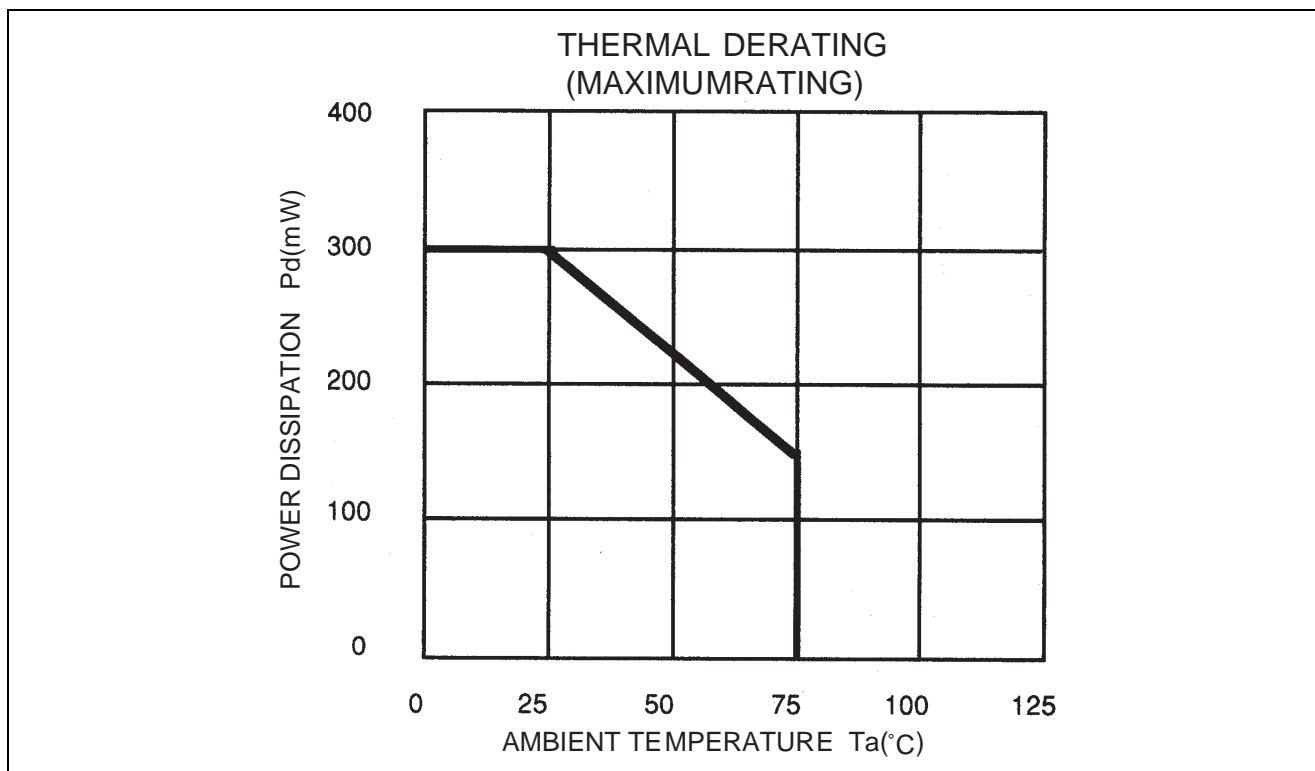
Pin Description

Pin No.	Symbol	Function	Descriptions
1	VREG	Regulated voltage source	This is output of the internal regulated supply voltage. Make connections from this pin to pot-entiometer and pulse stretcher resistor.
2	CST	Stretcher pin	Connect the capacitor and resistor of the pulse stretcher section.
3	CDB	Dead band setting pin	Connect the capacitor and band can be changed according the value of this capacitor.
4	INPUT	Input pin	
5	RT	Constant setting pin	Connect a capacitor that will determine the constant current value of pin 6. Constant current will became 100 μ A at the time of the resistance of 18 k Ω
6	CL	Local pulse setting pin	Connect a capacitor that will adjust a triangular wave made by charging of constant current.
7	N.C.	No connection	
8	POT	Servo position voltage input pin	Connect to the potentiometer for the position detection connected with the output axis.
9	GND	Grounding pin	Grounding
10	OUT1	Output 1	Connect to the base of the external NPN transistor
11	OUT2	Output 2	Connect to the base of the external PNP transistor
12	OUT3	Output 3	Connect to the base of the external NPN transistor
13	OUT4	Output 4	Connect to the base of the external PNP transistor
14	N.C.	No connection	
15	VCC	Supply voltage	Connect a capacitor of more than 10 μ F.
16	CFT	Fixed driving pulse setting pin	Connect a capacitor that will determine the fixed driving pulse width.

Absolute Maximum Ratings

(VCC = 5V, Ta = 25°C, unless otherwise noted)

Symbol	Parameter	Test conditions	Ratings	Unit
VCC	Supply voltage		9.0	V
IO	Output current	OUT1 to OUT4	40	mA
PD	Power dissipation		300	mW
K θ	Thermal derating range	Ta \geq 25°C	-3.0	mW/°C
Tstg	Storage temperature		-40 to 125	°C

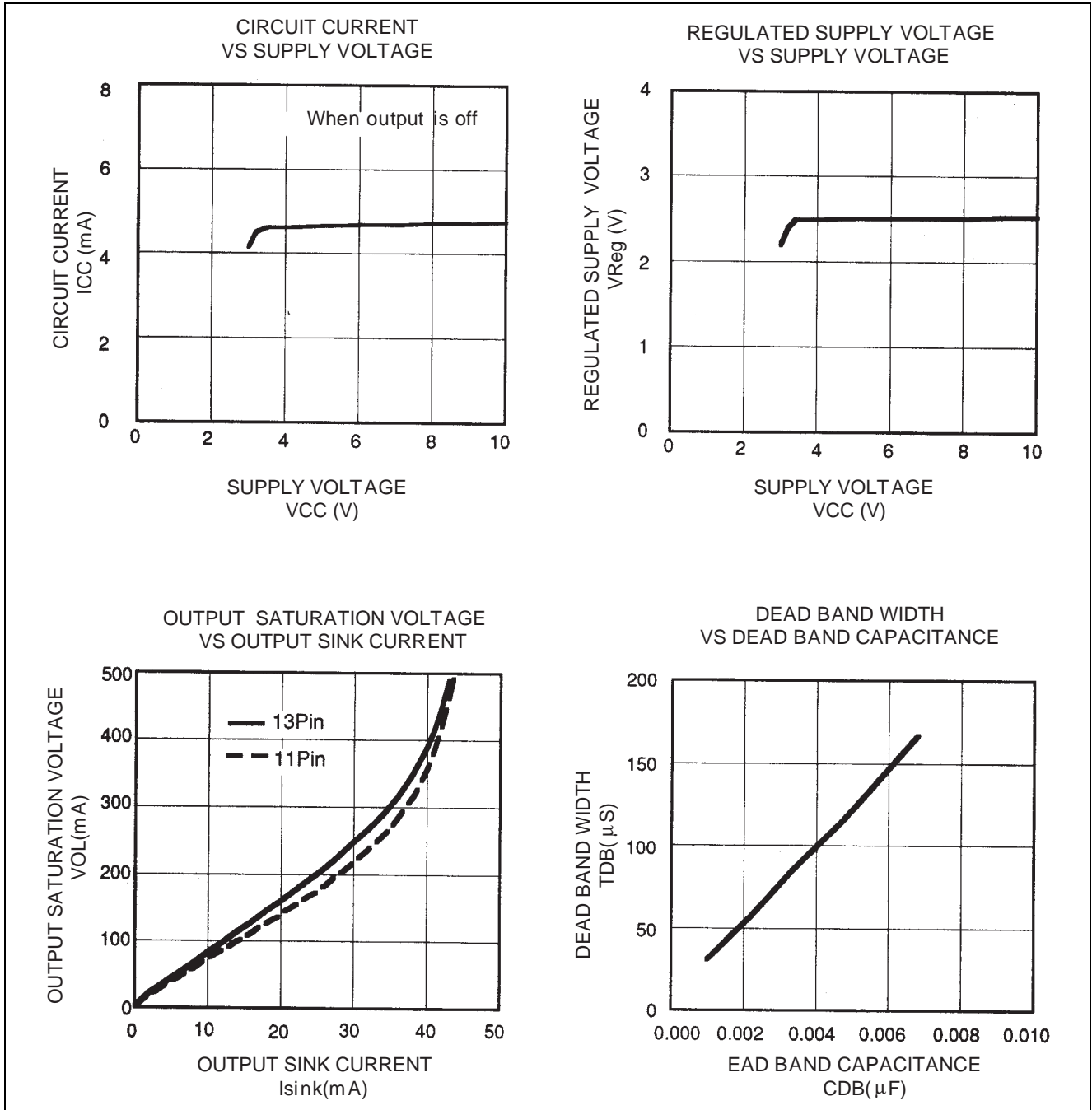


Electrical Characteristics

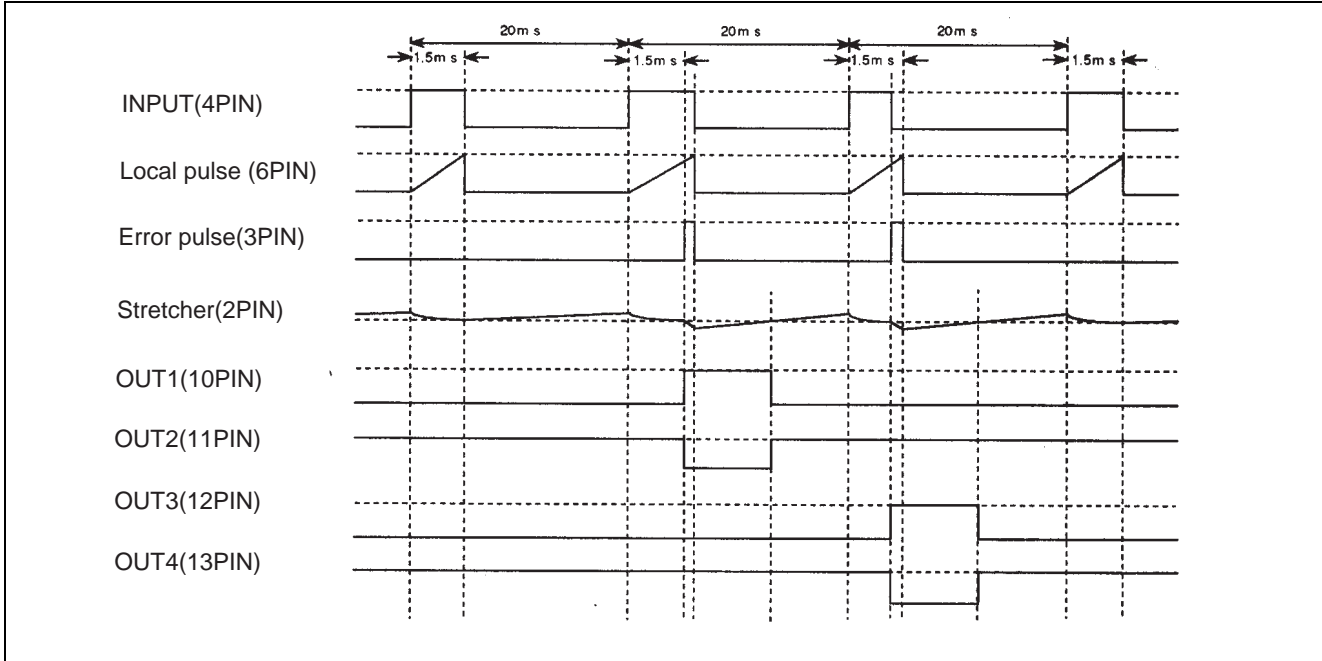
(VCC = 5.0 V, Ta = 25°C)

Symbol	Parameter	Test conditions	Limits			Unit
			Min	Typ	Max	
VCC	Supply voltage		2.8	5.0	7.5	V
ICC1	Circuit Current 1	Output off	—	5.0	10.0	mA
ICC2	Circuit Current 2	Output on	—	6.0	11.0	mA
Vreg	Regulated voltage	No load	2.35	2.5	2.65	V
dVreg	Regulated voltage precision	VCC = 3.5 to 6.5 V	—	0.2	—	%/V
Iref	Reference current	RT = 18 kΩ, Pin 5 current value	90	100	110	μA
Vih	High input voltage	Pin4	2.0	—	Vcc	V
WL	Standard local pulse width	RT = 18 kΩ, CL = 0.1 μF	1.4	1.5	1.6	ms
dWL	Supply voltage dependence of the local pulse width	VCC = 3.5 to 6.5 V	—	—	2.0	μs/V
		VCC = 2.5 to 7.5 V	—	—	15.0	
Wdb1	Minimum dead bandwidth	CFP = 0.01μF Not connect CDB	—	—	1.0	μs
Wdb2	Standard driving band width	Not connect CFP and CDB	—	2.5	6.0	μs
AST	Stretcher gain	RT = 18 kΩ RST = 120 kΩ CST = 0.1 μF	—	100	—	times
WKP	Fixed driving pulse width	CFP = 0.01μF Not connect CDB	0.7	1.0	1.3	ms
WCP	Standard driving pulse width	Not connect CFP and CDB	0.3	0.5	0.8	ms
Wout	Output pulse width	CST = 0.1 μF RST = 120 kΩ Pulse width 100μs (3pin)	8.0	10.0	12.0	ms
Vosat	Output pin saturation voltage	ISINK = 20 mA	—	0.2	0.4	V

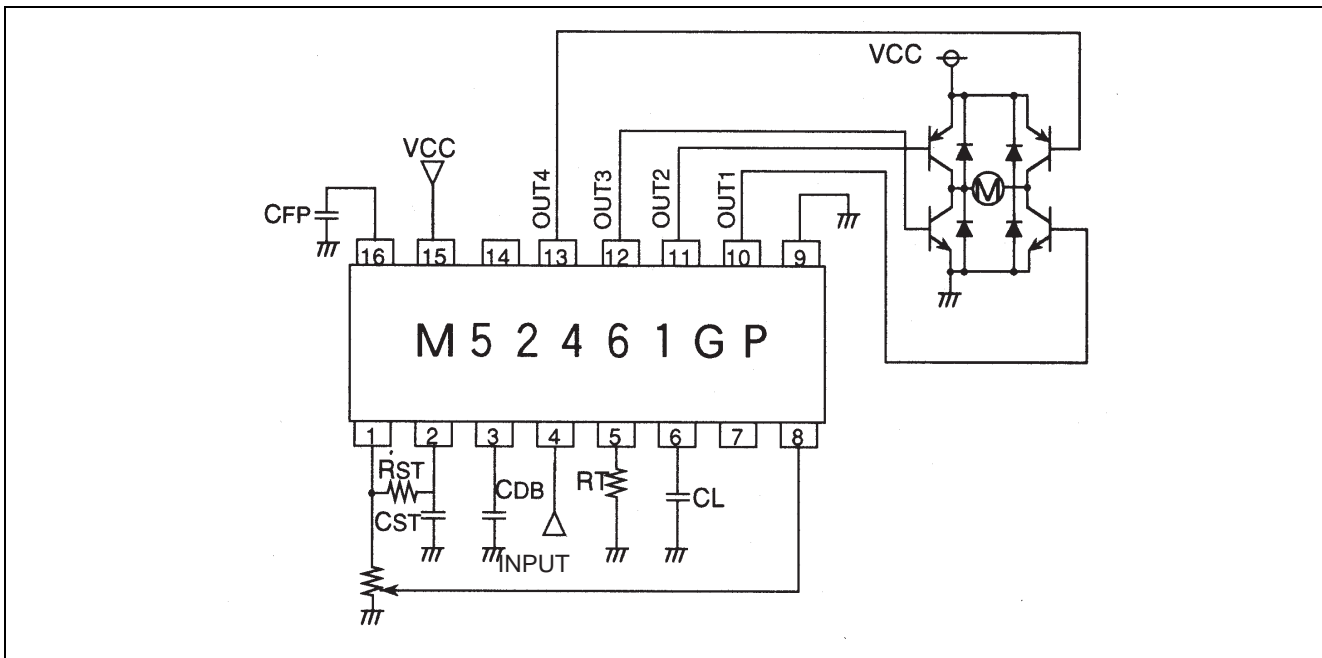
Typical Characteristics



Timing Diagram



Application Example

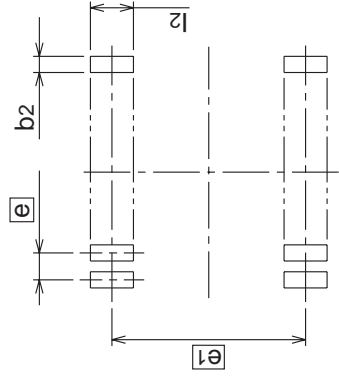
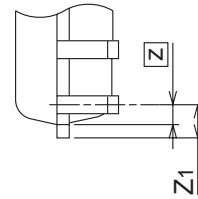
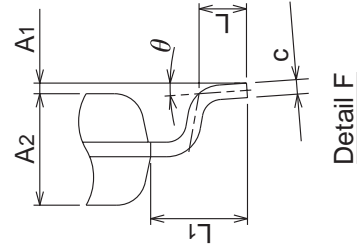
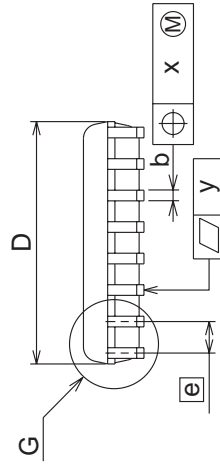
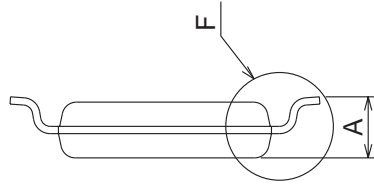
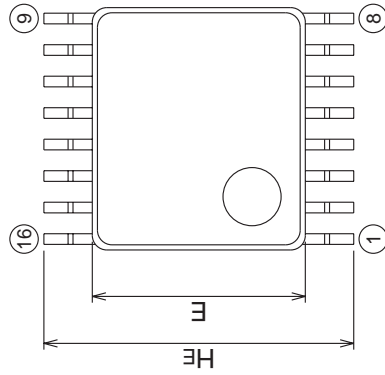


Package Dimensions

16P2E-A

Plastic 16pin 225mil SSOP

EIAJ Package Code SSOP16-P-225-0.65	JEDEC Code —	Weight(g) 0.06	Lead Material Alloy 42
--	-----------------	-------------------	---------------------------



Recommended Mount Pad

Symbol	Dimension in Millimeters		
	Min	Norm	Max
A	—	—	1.45
A1	0	0.1	0.2
A2	—	1.15	—
b	0.17	0.22	0.32
c	0.13	0.15	0.2
D	4.9	5.0	5.1
E	4.3	4.4	4.5
e	—	0.65	—
HE	6.2	6.4	6.6
L	0.3	0.5	0.7
L1	—	1.0	—
Z	—	0.225	—
Z1	—	—	0.375
x	—	—	0.13
y	—	—	0.1
theta	0°	—	10°
b2	—	0.35	—
e1	—	5.8	—
l2	1.0	—	—

RENESAS Technology Corp. Sales Strategic Planning Div. Nippon Bldg., 2-6-2, Ohte-machi, Chiyoda-ku, Tokyo 100-0004, Japan

Keep safety first in your circuit designs!

1. Renesas Technology Corp. puts the maximum effort into making semiconductor products better and more reliable, but there is always the possibility that trouble may occur with them. Trouble with semiconductors may lead to personal injury, fire or property damage.
Remember to give due consideration to safety when making your circuit designs, with appropriate measures such as (i) placement of substitutive, auxiliary circuits, (ii) use of nonflammable material or (iii) prevention against any malfunction or mishap.

Notes regarding these materials

1. These materials are intended as a reference to assist our customers in the selection of the Renesas Technology Corp. product best suited to the customer's application; they do not convey any license under any intellectual property rights, or any other rights, belonging to Renesas Technology Corp. or a third party.
 2. Renesas Technology Corp. assumes no responsibility for any damage, or infringement of any third-party's rights, originating in the use of any product data, diagrams, charts, programs, algorithms, or circuit application examples contained in these materials.
 3. All information contained in these materials, including product data, diagrams, charts, programs and algorithms represents information on products at the time of publication of these materials, and are subject to change by Renesas Technology Corp. without notice due to product improvements or other reasons. It is therefore recommended that customers contact Renesas Technology Corp. or an authorized Renesas Technology Corp. product distributor for the latest product information before purchasing a product listed herein.
The information described here may contain technical inaccuracies or typographical errors.
Renesas Technology Corp. assumes no responsibility for any damage, liability, or other loss rising from these inaccuracies or errors.
Please also pay attention to information published by Renesas Technology Corp. by various means, including the Renesas Technology Corp. Semiconductor home page (<http://www.renesas.com>).
 4. When using any or all of the information contained in these materials, including product data, diagrams, charts, programs, and algorithms, please be sure to evaluate all information as a total system before making a final decision on the applicability of the information and products. Renesas Technology Corp. assumes no responsibility for any damage, liability or other loss resulting from the information contained herein.
 5. Renesas Technology Corp. semiconductors are not designed or manufactured for use in a device or system that is used under circumstances in which human life is potentially at stake. Please contact Renesas Technology Corp. or an authorized Renesas Technology Corp. product distributor when considering the use of a product contained herein for any specific purposes, such as apparatus or systems for transportation, vehicular, medical, aerospace, nuclear, or undersea repeater use.
 6. The prior written approval of Renesas Technology Corp. is necessary to reprint or reproduce in whole or in part these materials.
 7. If these products or technologies are subject to the Japanese export control restrictions, they must be exported under a license from the Japanese government and cannot be imported into a country other than the approved destination.
Any diversion or reexport contrary to the export control laws and regulations of Japan and/or the country of destination is prohibited.
 8. Please contact Renesas Technology Corp. for further details on these materials or the products contained therein.
-



RENESAS SALES OFFICES

<http://www.renesas.com>

Renesas Technology America, Inc.
450 Holger Way, San Jose, CA 95134-1368, U.S.A
Tel: <1> (408) 382-7500 Fax: <1> (408) 382-7501

Renesas Technology Europe Limited.
Dukes Meadow, Millboard Road, Bourne End, Buckinghamshire, SL8 5FH, United Kingdom
Tel: <44> (1628) 585 100, Fax: <44> (1628) 585 900

Renesas Technology Europe GmbH
Dornacher Str. 3, D-85622 Feldkirchen, Germany
Tel: <49> (89) 380 70 0, Fax: <49> (89) 929 30 11

Renesas Technology Hong Kong Ltd.
7/F., North Tower, World Finance Centre, Harbour City, Canton Road, Hong Kong
Tel: <852> 2265-6688, Fax: <852> 2375-6836

Renesas Technology Taiwan Co., Ltd.
FL 10, #99, Fu-Hsing N. Rd., Taipei, Taiwan
Tel: <886> (2) 2715-2888, Fax: <886> (2) 2713-2999

Renesas Technology (Shanghai) Co., Ltd.
26/F., Ruijin Building, No.205 Maoming Road (S), Shanghai 200020, China
Tel: <86> (21) 6472-1001, Fax: <86> (21) 6415-2952

Renesas Technology Singapore Pte. Ltd.
1, Harbour Front Avenue, #06-10, Keppel Bay Tower, Singapore 098632
Tel: <65> 6213-0200, Fax: <65> 6278-8001