



M74HC163

SYNCHRONOUS PRESETTABLE 4-BIT COUNTER

- HIGH SPEED :
 $f_{MAX} = 62 \text{ MHz (TYP.) at } V_{CC} = 6\text{V}$
- LOW POWER DISSIPATION:
 $I_{CC} = 4\mu\text{A (MAX.) at } T_A = 25^\circ\text{C}$
- HIGH NOISE IMMUNITY:
 $V_{NIH} = V_{NIL} = 28 \% V_{CC} \text{ (MIN.)}$
- SYMMETRICAL OUTPUT IMPEDANCE:
 $|I_{OH}| = I_{OL} = 4\text{mA (MIN.)}$
- BALANCED PROPAGATION DELAYS:
 $t_{PLH} \approx t_{PHL}$
- WIDE OPERATING VOLTAGE RANGE:
 $V_{CC} \text{ (OPR)} = 2\text{V to } 6\text{V}$
- PIN AND FUNCTION COMPATIBLE WITH
 74 SERIES 163



ORDER CODES

| PACKAGE | TUBE | T & R |
|---------|-------------|----------------|
| DIP | M74HC163B1R | |
| SOP | M74HC163M1R | M74HC163RM13TR |
| TSSOP | | M74HC163TTR |

DESCRIPTION

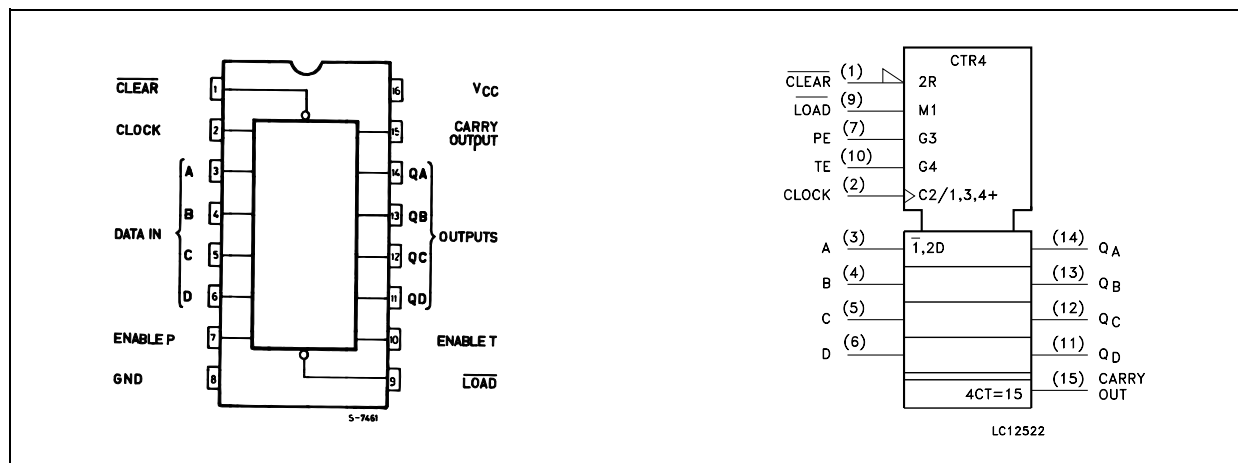
The M74HC163 is an high speed CMOS SYNCHRONOUS 4 BIT BINARY PRESETTABLE COUNTER fabricated with silicon gate C²MOS technology.

The CLOCK input is active on the rising edge. Both LOAD and CLEAR inputs are active LOW. Presetting is synchronous on the rising edge of the clock, the function is synchronous to the

CLOCK. Two enable inputs (TE and PE) and CARRY output are provided to enable easy cascading of counters, which facilitates easy implementation of N-bit counters without using external gates.

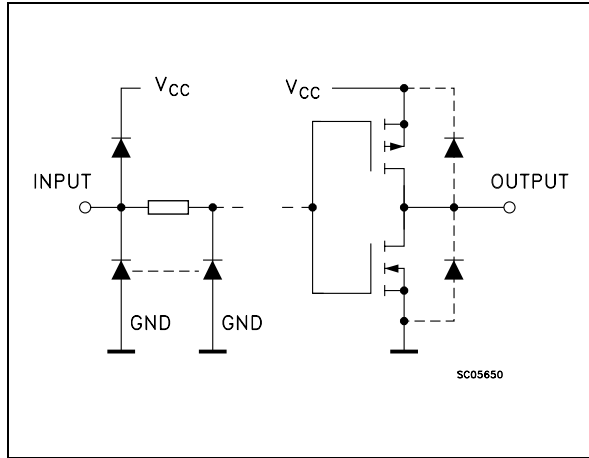
All inputs are equipped with protection circuits against static discharge and transient excess voltage.

PIN CONNECTION AND IEC LOGIC SYMBOLS



M74HC163

INPUT AND OUTPUT EQUIVALENT CIRCUIT



PIN DESCRIPTION

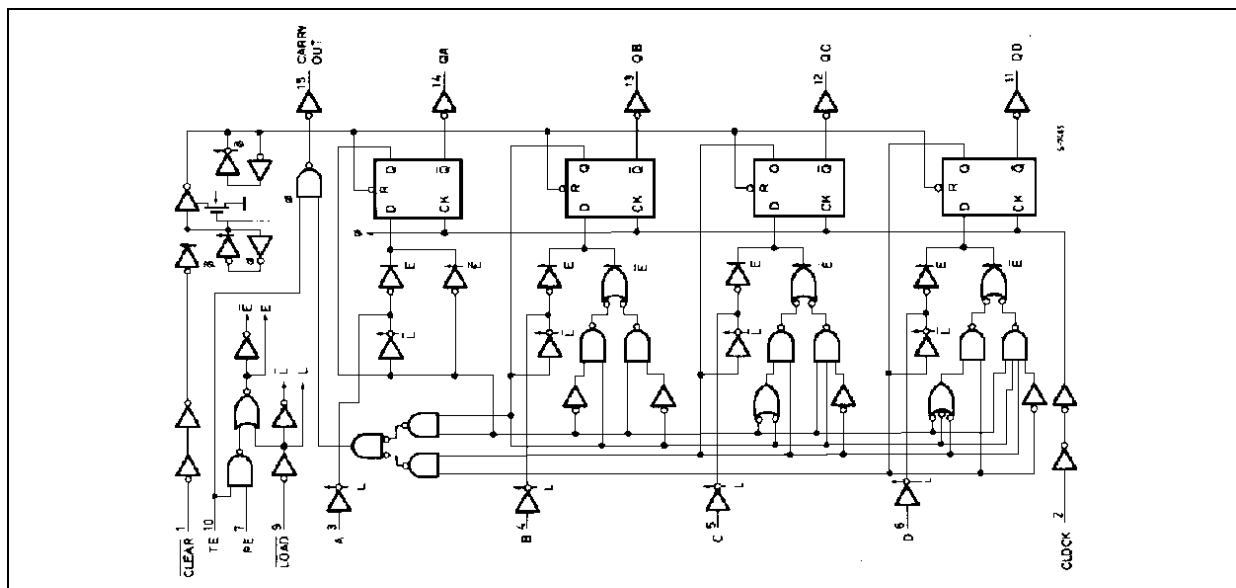
| PIN No | SYMBOL | NAME AND FUNCTION |
|----------------|---------------------------|---|
| 1 | $\overline{\text{CLEAR}}$ | Asynchronous Master Reset |
| 2 | CLOCK | Clock Input (LOW to HIGH, Edge-triggered) |
| 3, 4, 5, 6 | A, B, C, D | Data Inputs |
| 7 | PE | Count Enable Input |
| 10 | TE | Count Enable Carry Input |
| 9 | $\overline{\text{LOAD}}$ | Parallel Enable Input |
| 14, 13, 12, 11 | QA to QD | Flip Flop Outputs |
| 15 | CARRY | Terminal Count Output |
| 8 | GND | Ground (0V) |
| 16 | Vcc | Positive Supply Voltage |

TRUTH TABLE

| INPUTS | | | | | OUTPUTS | | | | FUNCTION |
|---------------------------|--------------------------|----|----|-------|-----------|----|----|----|--------------|
| $\overline{\text{CLEAR}}$ | $\overline{\text{LOAD}}$ | PE | TE | CLOCK | QA | QB | QC | QD | |
| L | X | X | X | | L | L | L | L | RESET TO "0" |
| H | L | X | X | | A | B | C | D | PRESET DATA |
| H | H | X | L | | NO CHANGE | | | | NO COUNT |
| H | H | L | X | | NO CHANGE | | | | NO COUNT |
| H | H | H | H | | COUNT UP | | | | COUNT |
| H | X | X | X | | NO CHANGE | | | | NO COUNT |

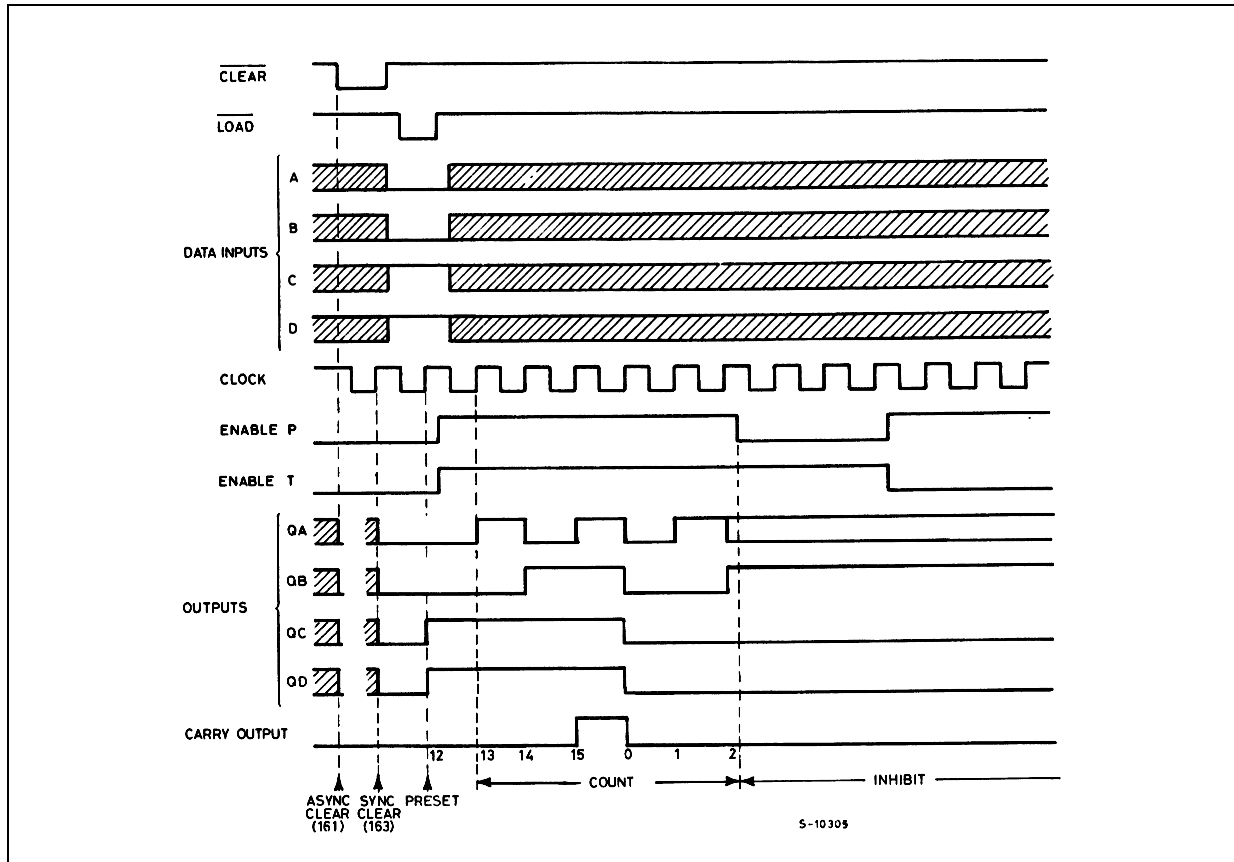
X : Don't Care
 A, B, C, D : Logic level of data inputs
 Carry : $\text{CARRY} = \text{TE} \cdot \text{QA} \cdot \text{QB} \cdot \text{QC} \cdot \text{QD}$

LOGIC DIAGRAM



This logic diagram has not been used to estimate propagation delays

TIMING CHART



ABSOLUTE MAXIMUM RATINGS

| Symbol | Parameter | Value | Unit |
|-----------------------|-------------------------------|------------------------|-------------|
| V_{CC} | Supply Voltage | -0.5 to +7 | V |
| V_I | DC Input Voltage | -0.5 to $V_{CC} + 0.5$ | V |
| V_O | DC Output Voltage | -0.5 to $V_{CC} + 0.5$ | V |
| I_{IK} | DC Input Diode Current | ± 20 | mA |
| I_{OK} | DC Output Diode Current | ± 20 | mA |
| I_O | DC Output Current | ± 25 | mA |
| I_{CC} or I_{GND} | DC V_{CC} or Ground Current | ± 50 | mA |
| P_D | Power Dissipation | 500(*) | mW |
| T_{stg} | Storage Temperature | -65 to +150 | $^{\circ}C$ |
| T_L | Lead Temperature (10 sec) | 300 | $^{\circ}C$ |

Absolute Maximum Ratings are those values beyond which damage to the device may occur. Functional operation under these conditions is not implied.

(*) 500mW at 65 $^{\circ}C$; derate to 300mW by 10mW/ $^{\circ}C$ from 65 $^{\circ}C$ to 85 $^{\circ}C$

RECOMMENDED OPERATING CONDITIONS

| Symbol | Parameter | Value | Unit | |
|------------|--------------------------|-----------------|-----------|----|
| V_{CC} | Supply Voltage | 2 to 6 | V | |
| V_I | Input Voltage | 0 to V_{CC} | V | |
| V_O | Output Voltage | 0 to V_{CC} | V | |
| T_{op} | Operating Temperature | -55 to 125 | °C | |
| t_r, t_f | Input Rise and Fall Time | $V_{CC} = 2.0V$ | 0 to 1000 | ns |
| | | $V_{CC} = 4.5V$ | 0 to 500 | ns |
| | | $V_{CC} = 6.0V$ | 0 to 400 | ns |

DC SPECIFICATIONS

| Symbol | Parameter | Test Condition | | Value | | | | | | Unit | |
|----------|---------------------------|-----------------|-----------------------|--------------------|------|-----------|-----------------------|---------|------------------------|---------|---------|
| | | V_{CC} (V) | | $T_A = 25^\circ C$ | | | -40 to $85^\circ C$ | | -55 to $125^\circ C$ | | |
| | | | | Min. | Typ. | Max. | Min. | Max. | Min. | | Max. |
| V_{IH} | High Level Input Voltage | 2.0 | | 1.5 | | | 1.5 | | 1.5 | | V |
| | | 4.5 | | 3.15 | | | 3.15 | | 3.15 | | |
| | | 6.0 | | 4.2 | | | 4.2 | | 4.2 | | |
| V_{IL} | Low Level Input Voltage | 2.0 | | | | 0.5 | | 0.5 | | 0.5 | V |
| | | 4.5 | | | | 1.35 | | 1.35 | | 1.35 | |
| | | 6.0 | | | | 1.8 | | 1.8 | | 1.8 | |
| V_{OH} | High Level Output Voltage | 2.0 | $I_O = -20 \mu A$ | 1.9 | 2.0 | | 1.9 | | 1.9 | | V |
| | | 4.5 | $I_O = -20 \mu A$ | 4.4 | 4.5 | | 4.4 | | 4.4 | | |
| | | 6.0 | $I_O = -20 \mu A$ | 5.9 | 6.0 | | 5.9 | | 5.9 | | |
| | | 4.5 | $I_O = -4.0 mA$ | 4.18 | 4.31 | | 4.13 | | 4.10 | | |
| | | 6.0 | $I_O = -5.2 mA$ | 5.68 | 5.8 | | 5.63 | | 5.60 | | |
| V_{OL} | Low Level Output Voltage | 2.0 | $I_O = 20 \mu A$ | | 0.0 | 0.1 | | 0.1 | | 0.1 | V |
| | | 4.5 | $I_O = 20 \mu A$ | | 0.0 | 0.1 | | 0.1 | | 0.1 | |
| | | 6.0 | $I_O = 20 \mu A$ | | 0.0 | 0.1 | | 0.1 | | 0.1 | |
| | | 4.5 | $I_O = 4.0 mA$ | | 0.17 | 0.26 | | 0.33 | | 0.40 | |
| | | 6.0 | $I_O = 5.2 mA$ | | 0.18 | 0.26 | | 0.33 | | 0.40 | |
| I_I | Input Leakage Current | 6.0 | $V_I = V_{CC}$ or GND | | | ± 0.1 | | ± 1 | | ± 1 | μA |
| I_{CC} | Quiescent Supply Current | 6.0 | $V_I = V_{CC}$ or GND | | | 4 | | 40 | | 80 | μA |

AC ELECTRICAL CHARACTERISTICS ($C_L = 50 \text{ pF}$, Input $t_r = t_f = 6 \text{ ns}$)

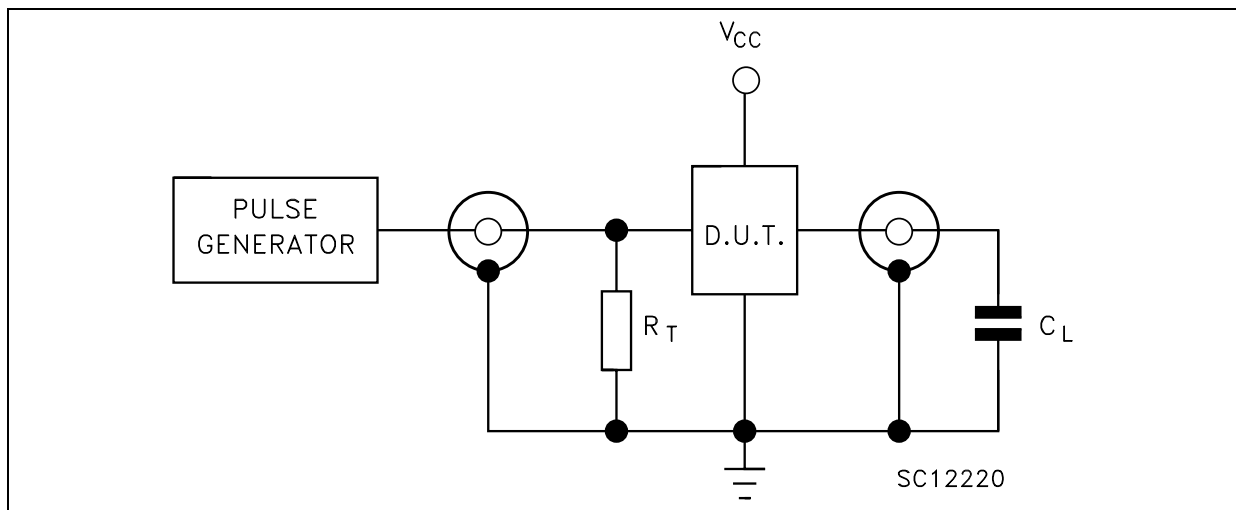
| Symbol | Parameter | Test Condition | | Value | | | | | | Unit | |
|-----------------------|---|-----------------|--|--------------------------|------|------|------------------------------------|------|-------------------------------------|------|------|
| | | V_{CC} (V) | | $T_A = 25^\circ\text{C}$ | | | $-40 \text{ to } 85^\circ\text{C}$ | | $-55 \text{ to } 125^\circ\text{C}$ | | |
| | | | | Min. | Typ. | Max. | Min. | Max. | Min. | | Max. |
| $t_{TLH} \ t_{THL}$ | Output Transition Time | 2.0 | | | 25 | 75 | | 95 | | 110 | ns |
| | | 4.5 | | | 7 | 15 | | 19 | | 22 | |
| | | 6.0 | | | 6 | 13 | | 16 | | 19 | |
| $t_{PLH} \ t_{PHL}$ | Propagation Delay Time (CLOCK - Q) | 2.0 | | | 48 | 125 | | 155 | | 190 | ns |
| | | 4.5 | | | 16 | 25 | | 31 | | 38 | |
| | | 6.0 | | | 14 | 21 | | 26 | | 32 | |
| $t_{PLH} \ t_{PHL}$ | Propagation Delay Time (CLOCK - CARRY) | 2.0 | | | 57 | 150 | | 190 | | 225 | ns |
| | | 4.5 | | | 19 | 30 | | 38 | | 45 | |
| | | 6.0 | | | 16 | 26 | | 32 | | 38 | |
| $t_{PLH} \ t_{PHL}$ | Propagation Delay Time (TE - CARRY) | 2.0 | | | 39 | 100 | | 125 | | 150 | ns |
| | | 4.5 | | | 13 | 20 | | 25 | | 30 | |
| | | 6.0 | | | 11 | 17 | | 21 | | 26 | |
| t_{PHL} | Propagation Delay Time (CLEAR-Q) | 2.0 | | | 72 | 200 | | 250 | | 300 | ns |
| | | 4.5 | | | 24 | 40 | | 50 | | 60 | |
| | | 6.0 | | | 20 | 34 | | 43 | | 51 | |
| t_{PHL} | Propagation Delay Time (CLEAR - CARRY) | 2.0 | | | 39 | 100 | | 125 | | 150 | ns |
| | | 4.5 | | | 13 | 20 | | 25 | | 30 | |
| | | 6.0 | | | 11 | 17 | | 21 | | 26 | |
| f_{MAX} | Maximum Clock Frequency | 2.0 | | 6.2 | 18 | | 5 | | 4.2 | | MHz |
| | | 4.5 | | 31 | 53 | | 25 | | 21 | | |
| | | 6.0 | | 37 | 62 | | 30 | | 25 | | |
| $t_{W(H)} \ t_{W(L)}$ | Minimum Pulse Width (CLOCK) | 2.0 | | | 18 | 75 | | 95 | | 110 | ns |
| | | 4.5 | | | 6 | 15 | | 19 | | 22 | |
| | | 6.0 | | | 6 | 13 | | 16 | | 19 | |
| t_s | Minimum Set-up Time (LOAD, PE, TE) | 2.0 | | | 40 | 100 | | 125 | | 150 | ns |
| | | 4.5 | | | 10 | 20 | | 25 | | 30 | |
| | | 6.0 | | | 8 | 17 | | 21 | | 26 | |
| t_s | Minimum Set-up Time (A, B, C, D) | 2.0 | | | 20 | 75 | | 95 | | 110 | ns |
| | | 4.5 | | | 5 | 15 | | 19 | | 22 | |
| | | 6.0 | | | 3 | 13 | | 16 | | 19 | |
| t_s | Minimum Set-up Time (CLEAR) | 2.0 | | | 20 | 75 | | 95 | | 110 | ns |
| | | 4.5 | | | 5 | 15 | | 19 | | 22 | |
| | | 6.0 | | | 3 | 13 | | 16 | | 19 | |
| t_h | Minimum Hold Time (A, B - CLOCK) | 2.0 | | | | 0 | | 0 | | 0 | ns |
| | | 4.5 | | | | 0 | | 0 | | 0 | |
| | | 6.0 | | | | 0 | | 0 | | 0 | |
| t_{REM} | Minimum Removal Time | 2.0 | | | 18 | 50 | | 65 | | 75 | ns |
| | | 4.5 | | | 4 | 10 | | 13 | | 15 | |
| | | 6.0 | | | 3 | 9 | | 11 | | 13 | |

CAPACITIVE CHARACTERISTICS

| Symbol | Parameter | Test Condition | | Value | | | | | | Unit | |
|-----------------|--|---------------------|--|-----------------------|------|------|-------------|------|--------------|------|------|
| | | V _{CC} (V) | | T _A = 25°C | | | -40 to 85°C | | -55 to 125°C | | |
| | | | | Min. | Typ. | Max. | Min. | Max. | Min. | | Max. |
| C _{IN} | Input Capacitance | 5.0 | | | 5 | 10 | | 10 | | 10 | pF |
| C _{PD} | Power Dissipation Capacitance (note 1) | 5.0 | | | 50 | | | | | | pF |

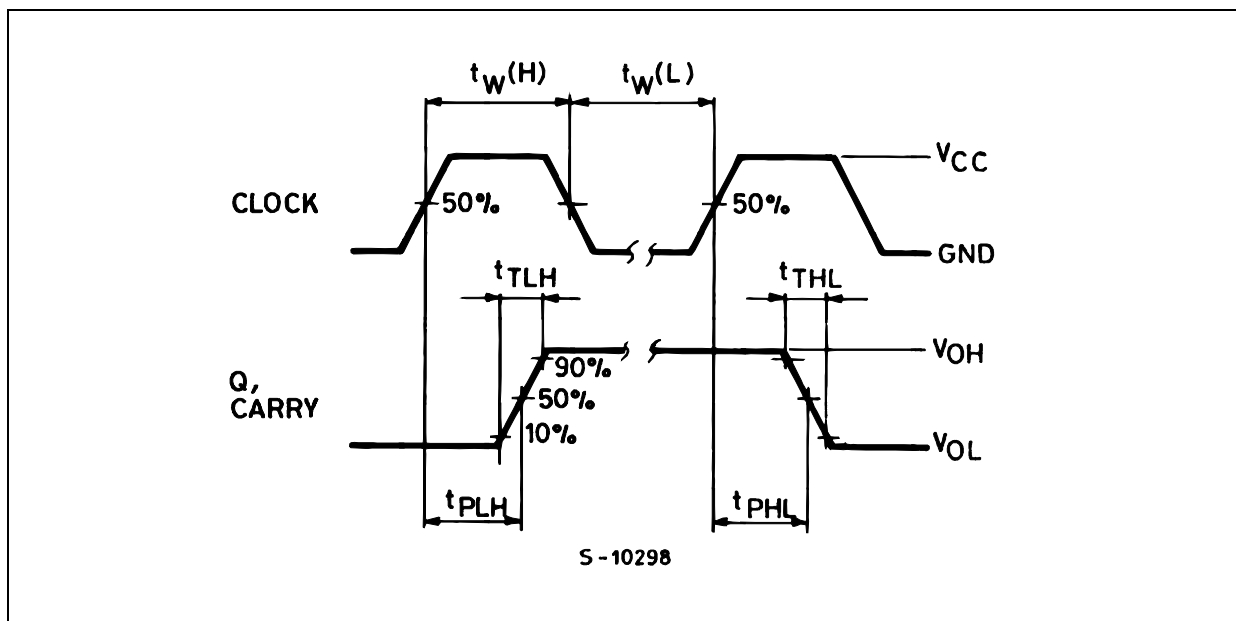
1) C_{PD} is defined as the value of the IC's internal equivalent capacitance which is calculated from the operating current consumption without load. (Refer to Test Circuit). Average operating current can be obtained by the following equation. $I_{CC(opr)} = C_{PD} \times V_{CC} \times f_{IN} + I_{CC}$

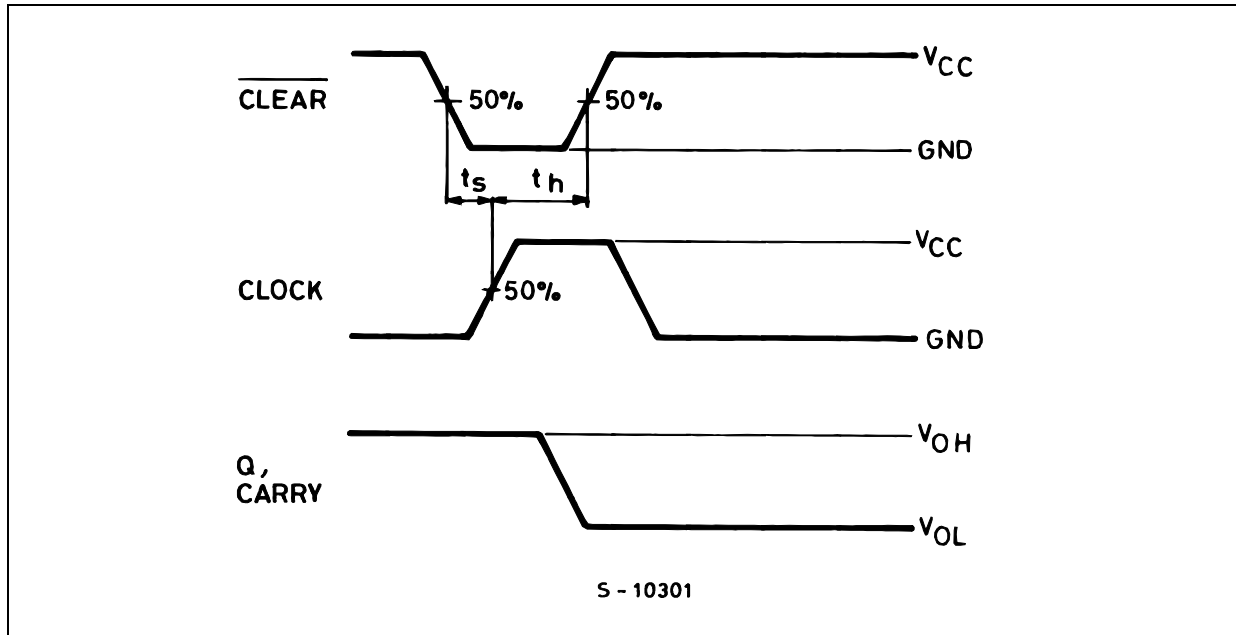
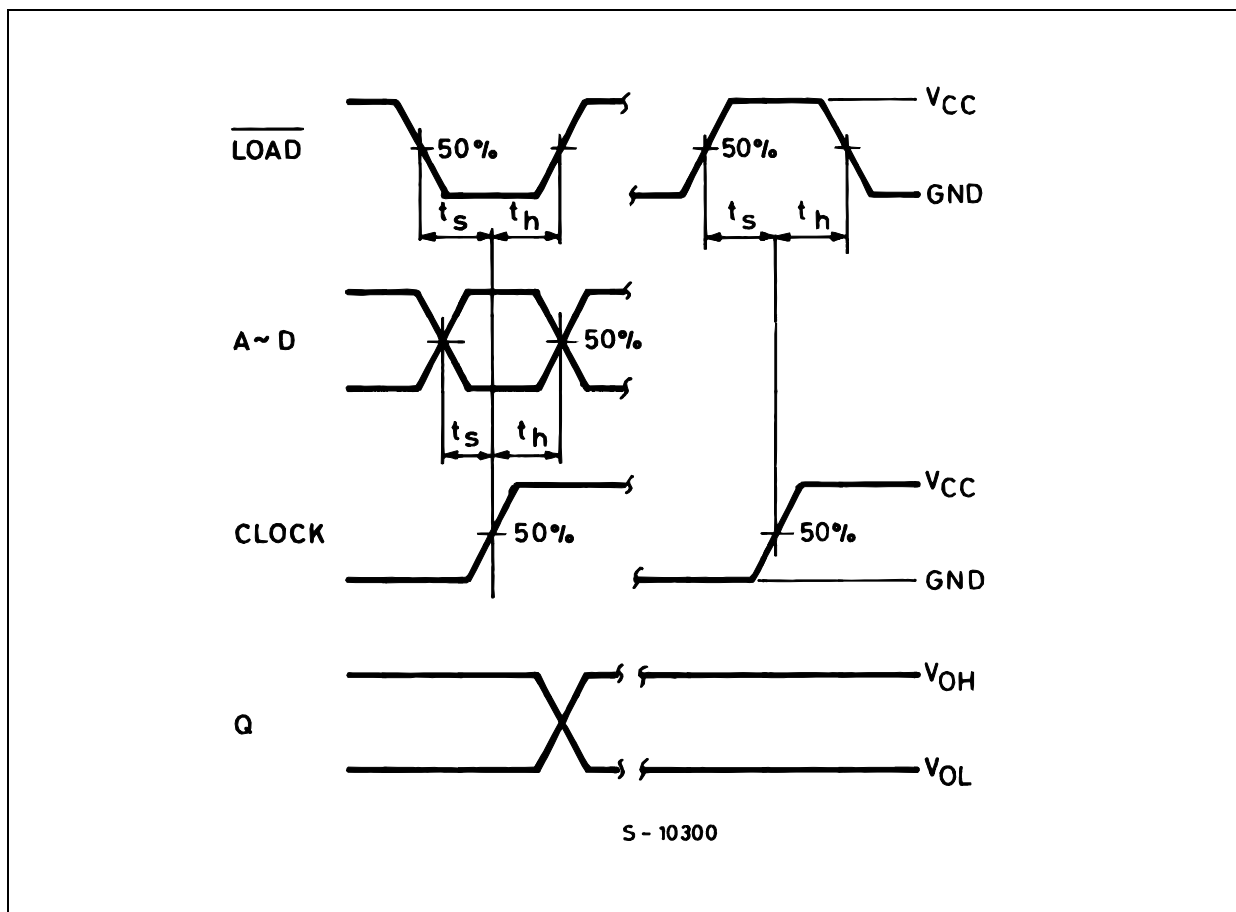
TEST CIRCUIT



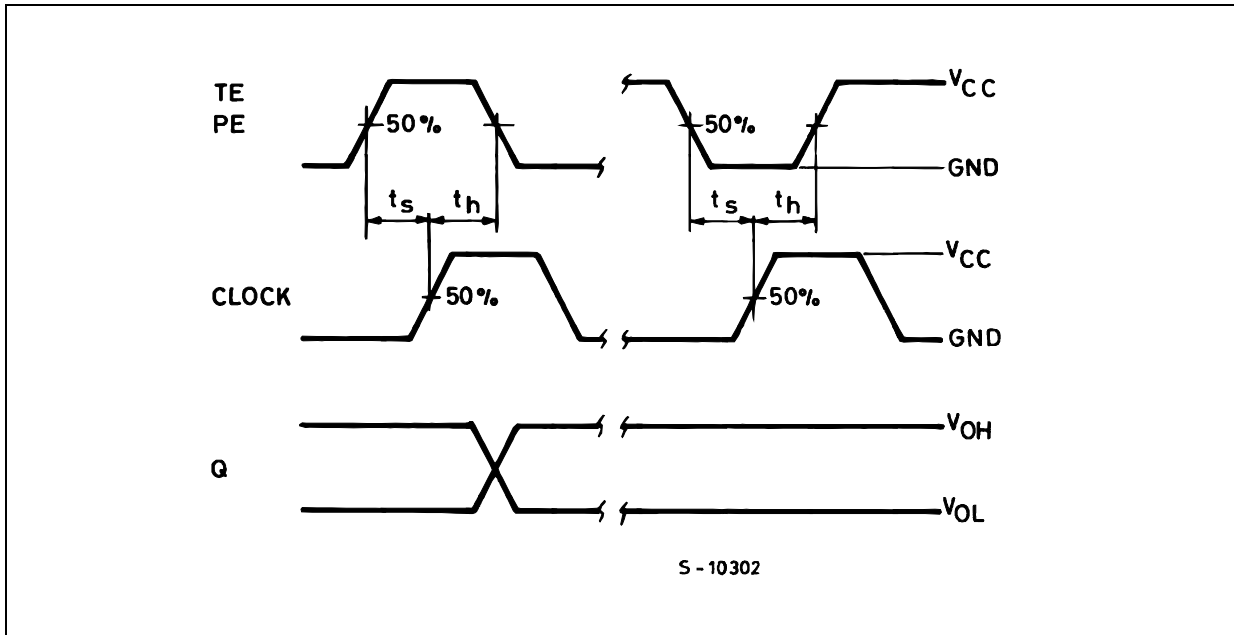
C_L = 50pF or equivalent (includes jig and probe capacitance)
 R_T = Z_{OUT} of pulse generator (typically 50Ω)

WAVEFORM 1: PROPAGATION DELAY TIMES, MINIMUM PULSE WIDTH (COUNT MODE)
 (f=1MHz; 50% duty cycle)

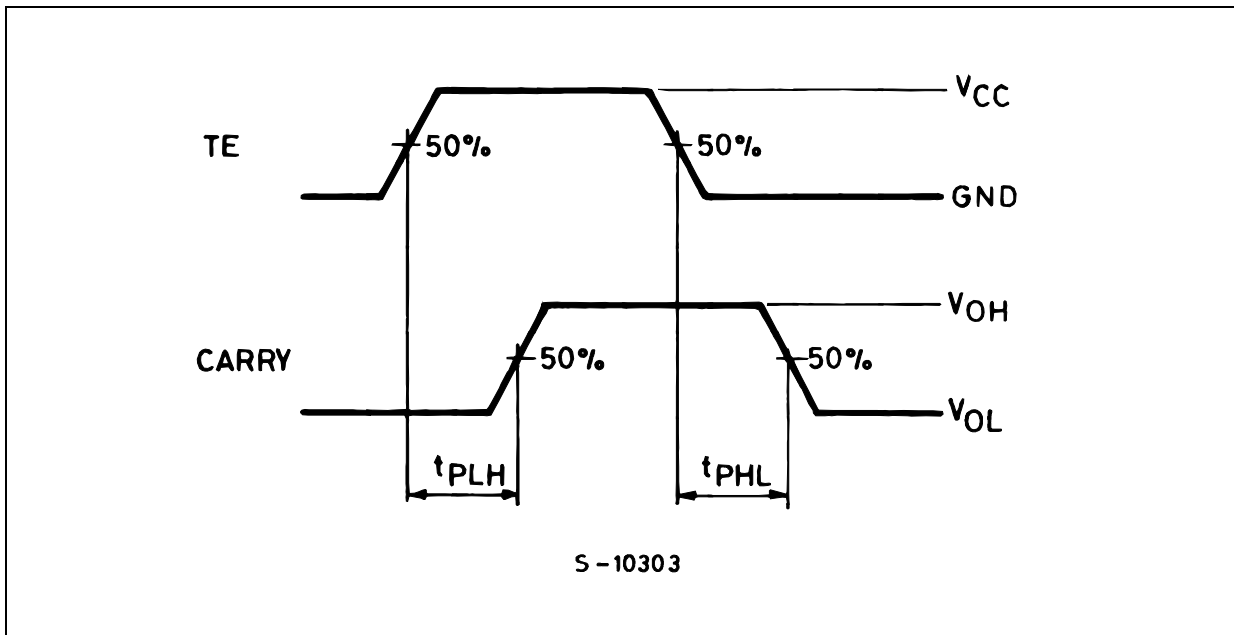


WAVEFORM 2 : SETUP AND HOLD TIMES (CLEAR MODE) ($f=1\text{MHz}$; 50% duty cycle)WAVEFORM 3 : SETUP AND HOLD TIMES (PRESET MODE) ($f=1\text{MHz}$; 50% duty cycle)

WAVEFORM 4 : SETUP AND HOLD TIMES (COUNTENABLE MODE) (f=1MHz; 50% duty cycle)



WAVEFORM 5 : PROPAGATION DELAY TIMES (CASCADE MODE) (f=1MHz; 50% duty cycle)



Plastic DIP-16 (0.25) MECHANICAL DATA

| DIM. | mm. | | | inch | | |
|------|------|-------|------|-------|-------|-------|
| | MIN. | TYP | MAX. | MIN. | TYP. | MAX. |
| a1 | 0.51 | | | 0.020 | | |
| B | 0.77 | | 1.65 | 0.030 | | 0.065 |
| b | | 0.5 | | | 0.020 | |
| b1 | | 0.25 | | | 0.010 | |
| D | | | 20 | | | 0.787 |
| E | | 8.5 | | | 0.335 | |
| e | | 2.54 | | | 0.100 | |
| e3 | | 17.78 | | | 0.700 | |
| F | | | 7.1 | | | 0.280 |
| I | | | 5.1 | | | 0.201 |
| L | | 3.3 | | | 0.130 | |
| Z | | | 1.27 | | | 0.050 |



P001C

SO-16 MECHANICAL DATA

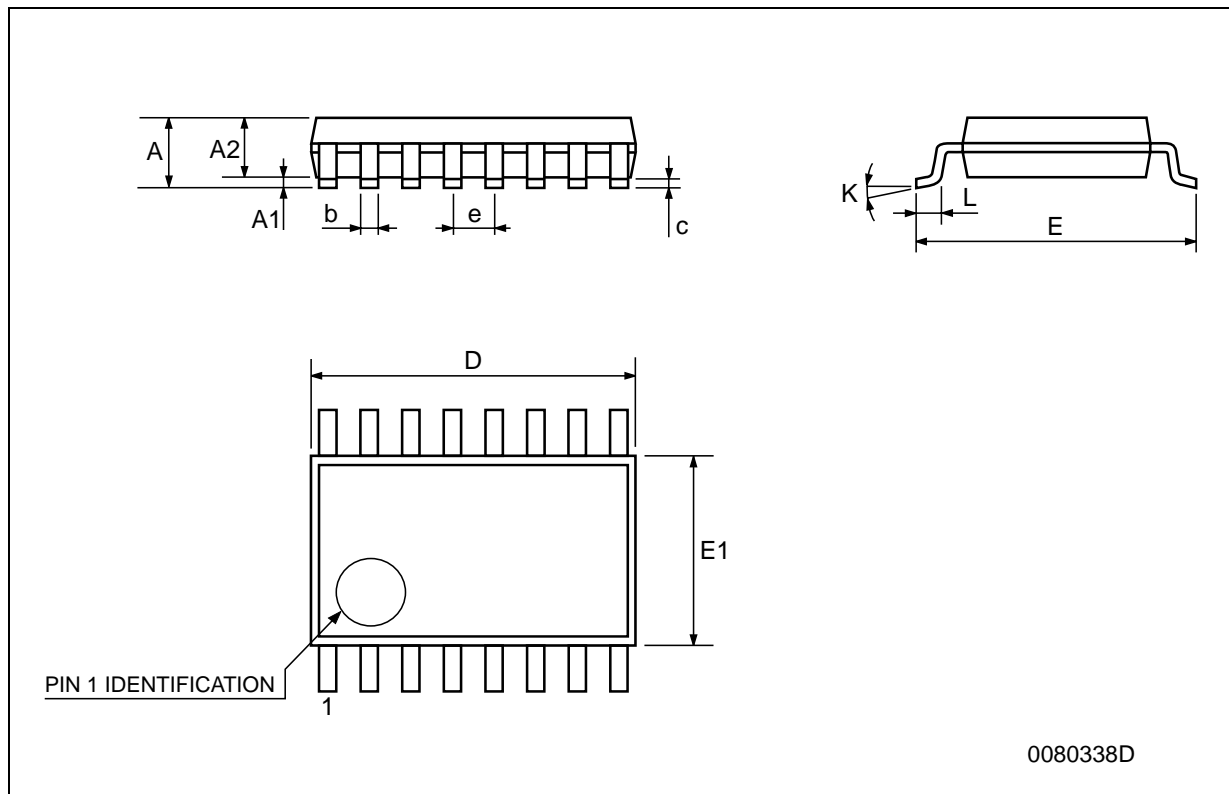
| DIM. | mm. | | | inch | | |
|------|------------|------|------|-------|-------|-------|
| | MIN. | TYP. | MAX. | MIN. | TYP. | MAX. |
| A | | | 1.75 | | | 0.068 |
| a1 | 0.1 | | 0.2 | 0.003 | | 0.007 |
| a2 | | | 1.65 | | | 0.064 |
| b | 0.35 | | 0.46 | 0.013 | | 0.018 |
| b1 | 0.19 | | 0.25 | 0.007 | | 0.010 |
| C | | 0.5 | | | 0.019 | |
| c1 | 45° (typ.) | | | | | |
| D | 9.8 | | 10 | 0.385 | | 0.393 |
| E | 5.8 | | 6.2 | 0.228 | | 0.244 |
| e | | 1.27 | | | 0.050 | |
| e3 | | 8.89 | | | 0.350 | |
| F | 3.8 | | 4.0 | 0.149 | | 0.157 |
| G | 4.6 | | 5.3 | 0.181 | | 0.208 |
| L | 0.5 | | 1.27 | 0.019 | | 0.050 |
| M | | | 0.62 | | | 0.024 |
| S | 8° (max.) | | | | | |



PO13H

TSSOP16 MECHANICAL DATA

| DIM. | mm. | | | inch | | |
|------|------|----------|------|-------|------------|--------|
| | MIN. | TYP. | MAX. | MIN. | TYP. | MAX. |
| A | | | 1.2 | | | 0.047 |
| A1 | 0.05 | | 0.15 | 0.002 | 0.004 | 0.006 |
| A2 | 0.8 | 1 | 1.05 | 0.031 | 0.039 | 0.041 |
| b | 0.19 | | 0.30 | 0.007 | | 0.012 |
| c | 0.09 | | 0.20 | 0.004 | | 0.0089 |
| D | 4.9 | 5 | 5.1 | 0.193 | 0.197 | 0.201 |
| E | 6.2 | 6.4 | 6.6 | 0.244 | 0.252 | 0.260 |
| E1 | 4.3 | 4.4 | 4.48 | 0.169 | 0.173 | 0.176 |
| e | | 0.65 BSC | | | 0.0256 BSC | |
| K | 0° | | 8° | 0° | | 8° |
| L | 0.45 | 0.60 | 0.75 | 0.018 | 0.024 | 0.030 |



Information furnished is believed to be accurate and reliable. However, STMicroelectronics assumes no responsibility for the consequences of use of such information nor for any infringement of patents or other rights of third parties which may result from its use. No license is granted by implication or otherwise under any patent or patent rights of STMicroelectronics. Specifications mentioned in this publication are subject to change without notice. This publication supersedes and replaces all information previously supplied. STMicroelectronics products are not authorized for use as critical components in life support devices or systems without express written approval of STMicroelectronics.

© The ST logo is a registered trademark of STMicroelectronics

© 2001 STMicroelectronics - Printed in Italy - All Rights Reserved
STMicroelectronics GROUP OF COMPANIES

Australia - Brazil - China - Finland - France - Germany - Hong Kong - India - Italy - Japan - Malaysia - Malta - Morocco
Singapore - Spain - Sweden - Switzerland - United Kingdom

© <http://www.st.com>