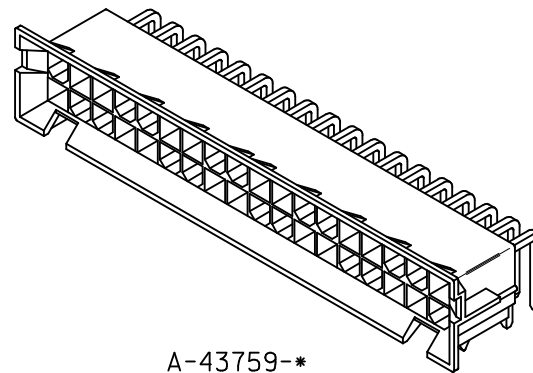


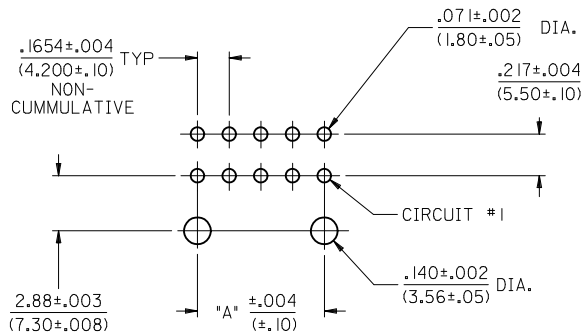
SEE NOTE 9

NOTES:

- 1) MATERIAL
HOUSING: "A" = NYLON 6/6, U.L. 94V-2 COLOR: NATURAL.
TERMINAL MATERIAL: BRASS ALLOY.
- 2) FINISH
A = .000100/(.00254) MIN. MATTE TIN OVER
.000050/(.00127) MIN. NICKEL.
B = .000030/(0.00076) MIN. SELECT GOLD AND
.000100/(0.00254) MIN. SELECT MATTE TIN
OVER .000050/(0.00127) MIN. NICKEL OVERALL
- 3) PRODUCT SPECIFICATION: PS-43759-0001
- 4) PACKAGING SPECIFICATION: PK-42404-002.
- 5) PART MATES WITH MINI-FIT JR. RECEPTACLE 43760, 44516
- 6) CONNECTOR ASSEMBLIES ARE NOT TO BE MATED
OR UNMATED WHILE CIRCUITS ARE LIVE.
- 7) CIRCUITS SHOWN PROVIDE THE "MATE-FIRST/BREAK-LAST" FEATURE.
- 8) DISCOLORATION ON THE BANDOLIER CARRIER AREA OF THE PIN IS ACCEPTABLE.
- 9) PART CONFORMS TO CLASS "B" REQUIREMENTS OF COSMETIC SPECIFICATION PS-45499-002, EXCEPT CLASS "C" ON BOTH SIDE RIBS.
- 10) PART ALLOWS FOR .050/(1.27) MISALIGNMENT WITH MATING RECEPTACLE IN ANY DIRECTION. SEE MATING CONNECTOR DRAWINGS FOR SPECIFIC ALLOWANCES.
- 11) FORMING MARKS ARE ACCEPTABLE
- 12) PARTS ARE NOT DESIGNED FOR CURRENT SHARING



A-43759-*



RECOMMENDED HOLE LAYOUT FOR
.070/(1.78) MAX. THICK P.C. BOARD

CIRCUIT SIZE	DIM. "A"
36	2.811 (71.40)

CHANGE B TO REF EC NO: UCP2012-3564 DRW: NGUYEN CHKD: BELL APPR: FSMITH 2012/05/01 2012/05/01 2012/05/04	QUALITY SYMBOLS ▽=0 ▽=0 ▽=0	GENERAL TOLERANCES (UNLESS SPECIFIED)		DIMENSION STYLE IN/MM		SCALE 2:1	DESIGN UNITS METRIC	THIRD ANGLE PROJECTION		
		mm	INCH	DRAWN BY	DATE	SELECTIVELY-LOADED DUAL ROW, RT. ANG. HDR. (MAKE FIRST/BREAK LAST)				
		4 PLACES ± ---	± ---	MAB	5/20/96					
		3 PLACES ± ---	± .010	CHECKED BY	DATE	MOLEX INCORPORATED				
2 PLACES ± 0.25	± .015	RJF	5/20/96							
1 PLACE ± 0.38	± ---	APPROVED BY	DATE	DOCUMENT NO. SDA-43759-*						
ANGULAR ± 1/2°	± ---	RAS	5/20/96							
DRAFT WHERE APPLICABLE MUST REMAIN WITHIN DIMENSIONS		MATERIAL NO. SEE CHART		SIZE C		SHEET NO. 1 OF 2		THIS DRAWING CONTAINS INFORMATION THAT IS PROPRIETARY TO MOLEX INCORPORATED AND SHOULD NOT BE USED WITHOUT WRITTEN PERMISSION		

