

PLEASE CHECK WWW.MOLEX.COM FOR LATEST PART INFORMATION

Part Number: [0529961070](#)
Status: **Active**
Overview: [ffc fpc smt](#)
Description: 1.00mm (.039") Pitch FFC/FPC Connector, Right Angle, SMT, ZIF, Top Contact Style, 10 Circuits

Documents:

[3D Model](#) [Product Specification PS-52996-001 \(PDF\)](#)
[Drawing \(PDF\)](#) [RoHS Certificate of Compliance \(PDF\)](#)

General

Product Family FFC/FPC Connectors
 Series [52996](#)
 Overview [ffc fpc smt](#)
 Product Name N/A

Physical

Circuits (Loaded) 10
 Circuits (maximum) 10
 Contact Position Top
 Durability (mating cycles max) 30
 Entry Angle 90° Angle
 Mated Height (in) 0.106 In
 Mated Height (mm) 2.70 mm
 Material - Metal Phosphor Bronze
 Material - Plating Mating Tin-Bismuth
 Material - Plating Termination Tin-Bismuth
 Number of Rows 1
 Orientation Right Angle
 PC Tail Length (in) 0.000 In
 PC Tail Length (mm) 0.00 mm
 PCB Locator No
 PCB Retention Yes
 PCB Thickness Recommended (in) 0.031 In
 PCB Thickness Recommended (mm) 0.80 mm
 Packaging Type Embossed Tape on Reel
 Pitch - Mating Interface (in) 0.039 In
 Pitch - Mating Interface (mm) 1.00 mm
 Pitch - Term. Interface (in) 0.039 In
 Pitch - Term. Interface (mm) 1.00 mm
 Plating min: Mating (µin) 40
 Plating min: Mating (µm) 1
 Plating min: Termination (µin) 40
 Plating min: Termination (µm) 1
 Polarized to PCB No
 Stackable No
 Surface Mount Compatible (SMC) No
 Temperature Range - Operating -20°C to +85°C
 Termination Interface: Style Surface Mount
 Wire/Cable Type FPC only

Electrical

Current - Maximum per Contact 1A
 Voltage - Maximum 125V AC (RMS)/DC

Material Info

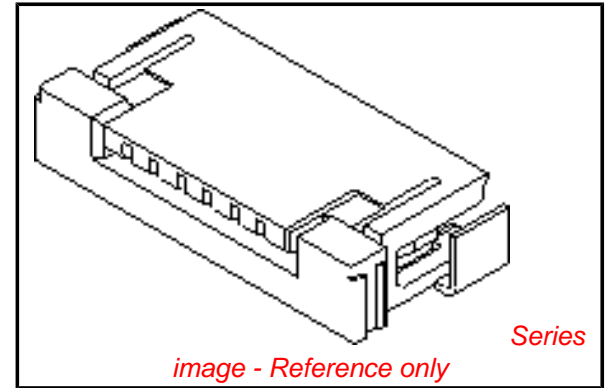


image - Reference only

EU RoHS

**ELV and RoHS
Compliant**
REACH SVHC
 Not Reviewed
**Halogen-Free
Status**

China RoHS



**Need more information on product
environmental compliance?**

Email productcompliance@molex.com
 For a multiple part number RoHS Certificate of Compliance, [click here](#)

Please visit the [Contact Us](#) section for any non-product compliance questions.

Search Parts in this Series

[52996Series](#)

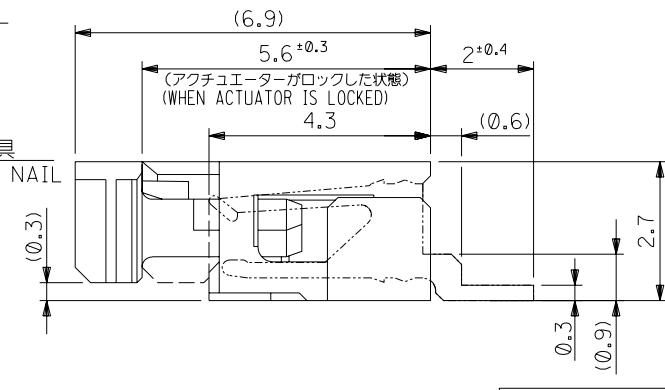
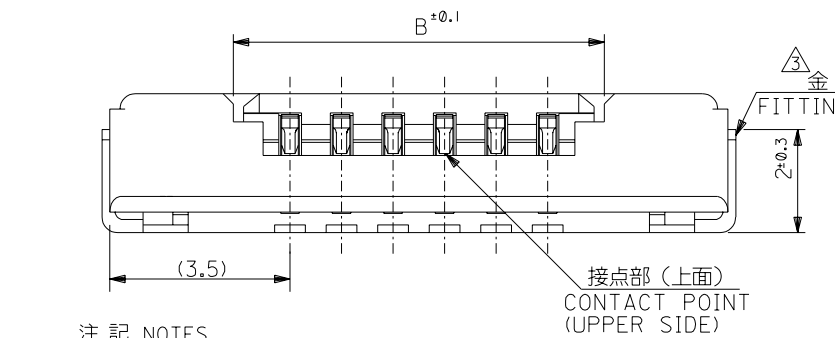
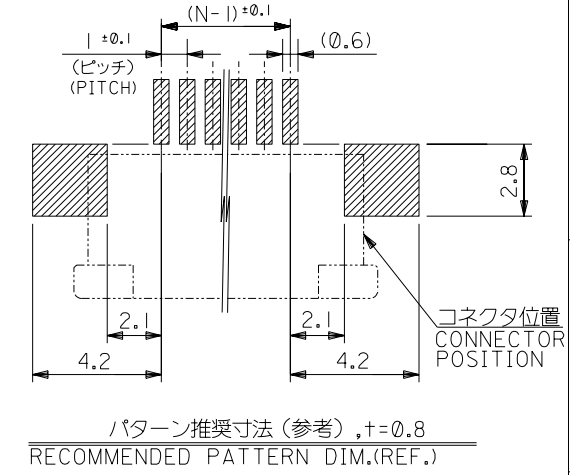
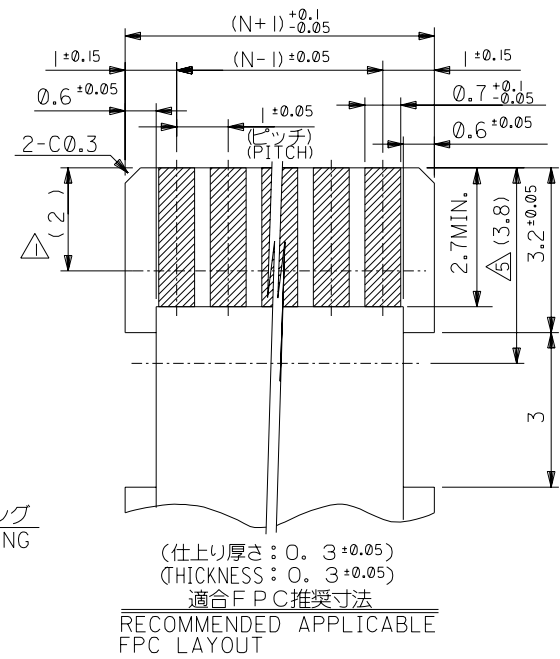
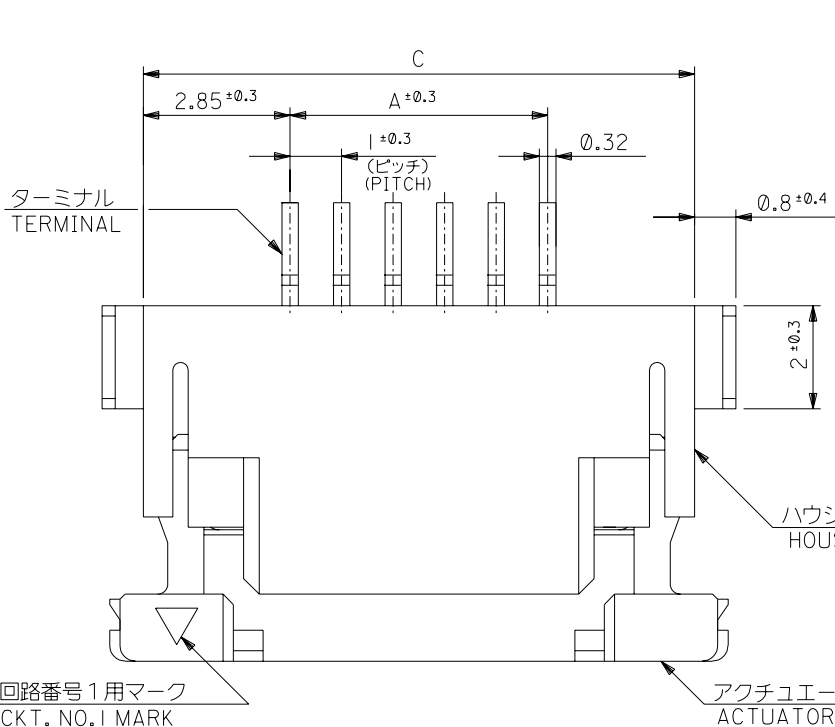
Reference - Drawing Numbers

Product Specification
Sales Drawing

PS-52996-001, RPS-52996-001
SD-52996-001, SD-52996-002

This document was generated on 06/07/2010

PLEASE CHECK WWW.MOLEX.COM FOR LATEST PART INFORMATION



注記 NOTES

- △ 接点部までの嵌合長さ。 LENGTH TO CONTACT POINT
- 2. 使用材料 MATERIAL
 - ハウジング: 46ナイロン(青), UL94V-0
 - HOUSING: 46NYLON(BLUE), UL94V-0
 - アクチュエータ: PPS(黒), UL94V-0
 - ACTUATOR: PPS(BLACK), UL94V-0
 - ターミナル: リン青銅、錫ヒスマスメッキ (+0.32)
 - TERMINAL: PHOS-BRO.TIN-BISMUTH PLATED(+0.32)
 - 金具: 銅合金、錫メッキ (+0.25)
 - FITTING NAIL: COPPER ALLOY, TIN-PLATED(+0.25)
- △ 3. パターン剥離止め用金具
FITTING NAIL FOR PREVENTION OF PEELING OF P.C.B. PATTERN.
- 4. エンボステープ梱包時はアクチュエータがロックした状態とする。
WHEN CONNECTOR IS SHIPPED, ACTUATOR SHOULD BE LOCKED.
- △ 5. FPC 挿入深さ INSERTION DEPTH OF FPC.
- 6. 本製品は 52996-***11 の鉛フリー品である。
THIS PRODUCT IS LEAD FREE OF 52996-***11

角度 ANGLE	±3°
30°以上 OVER	±0.3
10°以上 OVER 30° UNDER	±0.25
未満 10° UNDER	±0.2
一般公差 GENERAL TOLERANCES	

記号 LTR	変更内容 REVISION RECORD	DR. CHK.	日付 DATE
①	新規作成 PROPOSED J2004-288II	M.N. M.S.	04/03/05

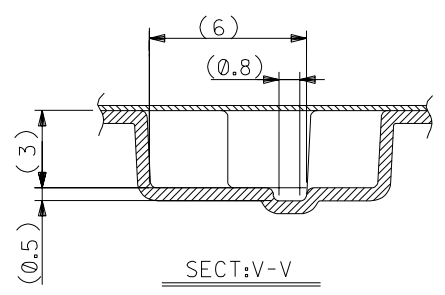
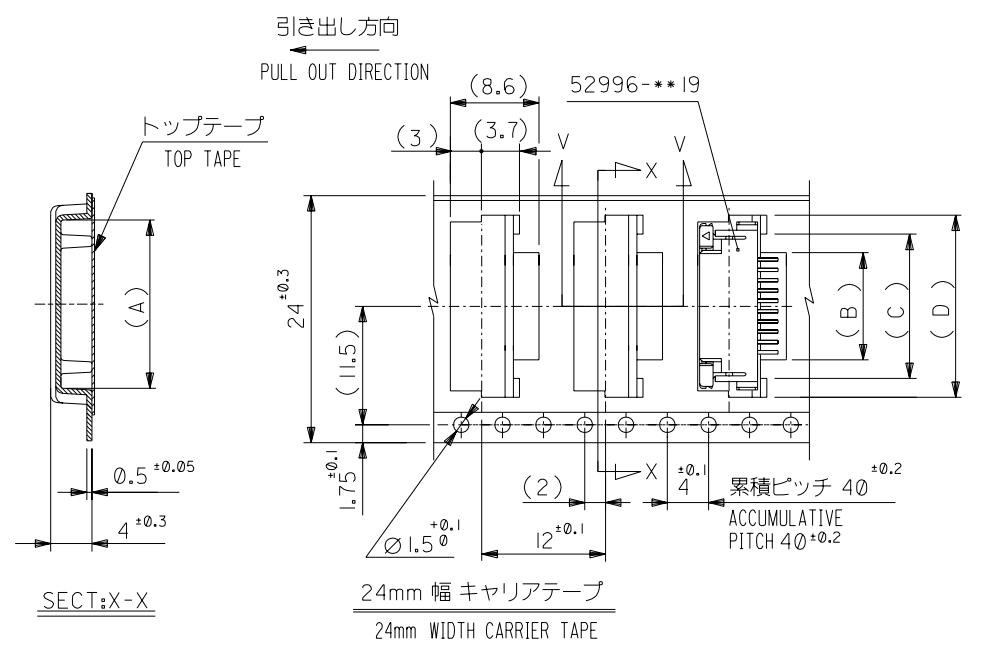
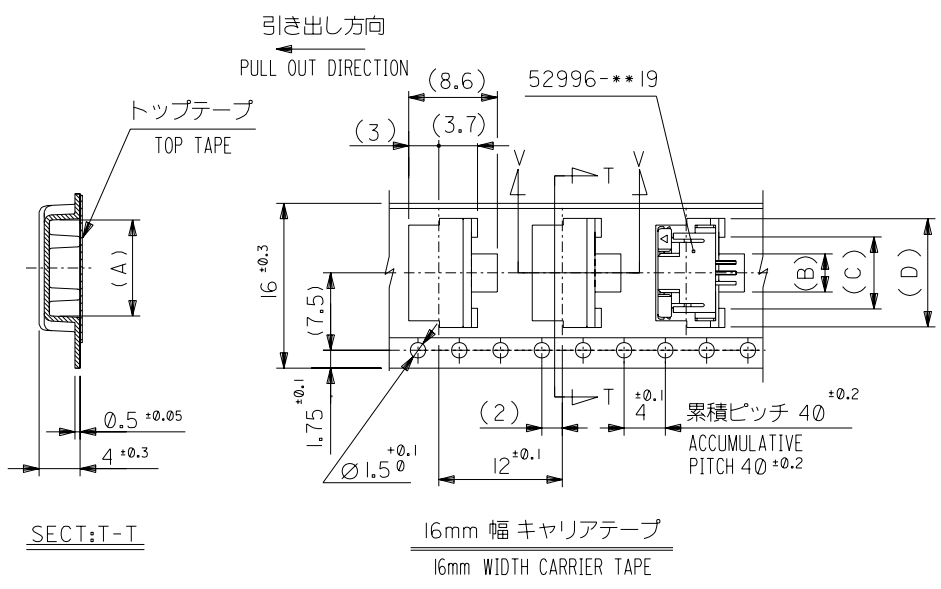
52996-***19	7.7	4.2	2	52996-0319	3
MODEL NO.	C	B	A	MATERIAL NO.	極数 CKT.

材料 MATERIAL	注記参照 SEE NOTES	MOLEX-JAPAN CO.,LTD. 日本モレックス株式会社
仕上げ FINISH	—//—	
適用電線範囲 WIRE RANGE	—//—	REVISE ONLY ON CAD SYSTEM
被覆外径 INS. RANGE	—//—	TITLE 名称
DRAWN BY '04/03/05 M.NABEI	CHK'D BY '04/03/05 K.TOJO	1.0mm PITCH FPC. CONN. ZIF. SMT. -LEAD FREE-
APP'D BY '04/03/05 M.SASAO	尺度 SCALE —//—	DWG. NO. SD-52996-001
		REV 0

DIMENSIONS IN METRIC DO NOT SCALE DRAWING

SD-52996-001.S01

DWG. NO. SD-52996-002



24	29.4	25.4	18.5	15	11.7	17.3	52996-1170	11
			17.5	14	10.7	16.3	-1070	10
			16.5	13	9.7	15.3	-0970	9
			15.5	12	8.7	14.3	-0870	8
			14.5	11	7.7	13.3	-0770	7
			13.5	10	6.7	12.3	-0670	6
			12.5	9	5.7	11.3	-0570	5
11.5	8	4.7	10.3	-0470	4			
16	21.4	17.4	10.5	7	3.7	9.3	52996-0370	3

52996-**70	キャリアテープ幅	F	E	(D)	(C)	(B)	(A)	MATERIAL NO.	極数
MODEL NO.	CARRIER TAPE WIDTH								CKT.
材料 MATERIAL								MATERIAL NO.	
注記参照 SEE NOTES								MATERIAL NO.	
仕上げ FINISH								REVISE ONLY ON CAD SYSTEM	
適用電線範囲 WIRE RANGE								TITLE 名称	
被覆外径 INS. RANGE								EMBOSSED TAPE PACKAGE FOR 52996-**19	
DRAWN BY '04/03/05 M.NABEI								-LEAD FREE-	
CHK'D BY '04/03/05 K.TOJO								DWG. NO. SD-52996-002	
APP'D BY '04/03/05 M.SASAO								(SHEET 1 OF 3)	
尺度 SCALE								REV	

角度 ANGLE	±3°
30 以上 OVER	±0.5
10 以上 30 未満 UNDER	±0.25
未満 10 UNDER	±0.2
一般公差 GENERAL TOLERANCES	

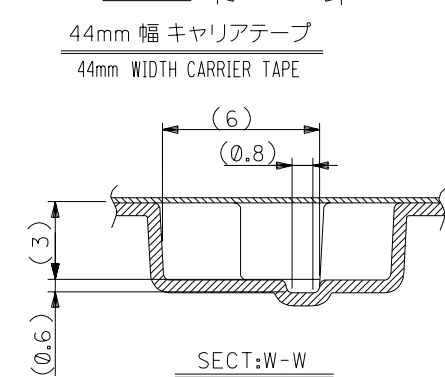
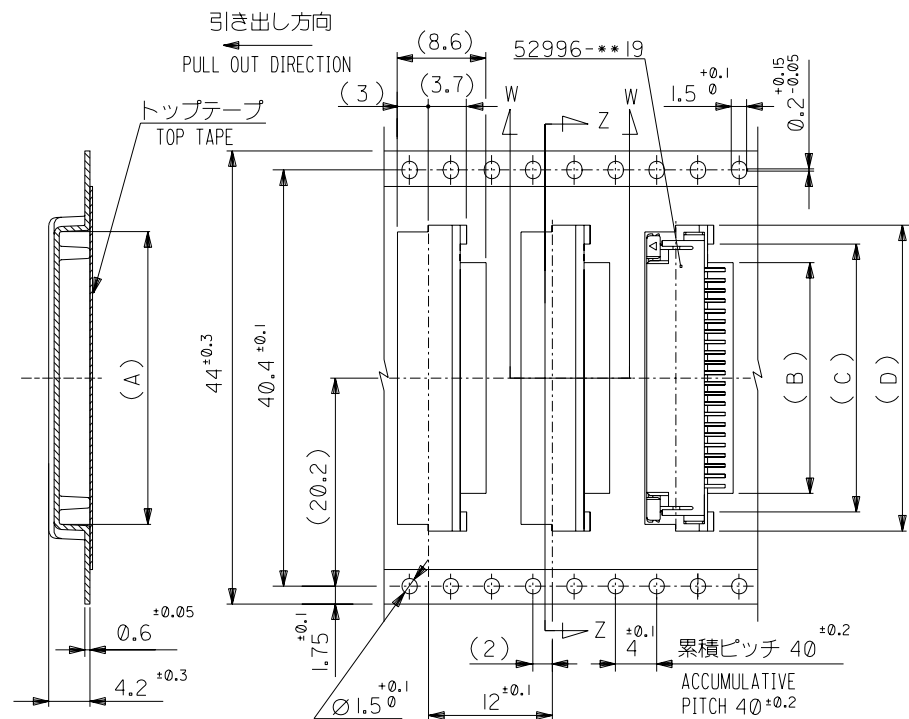
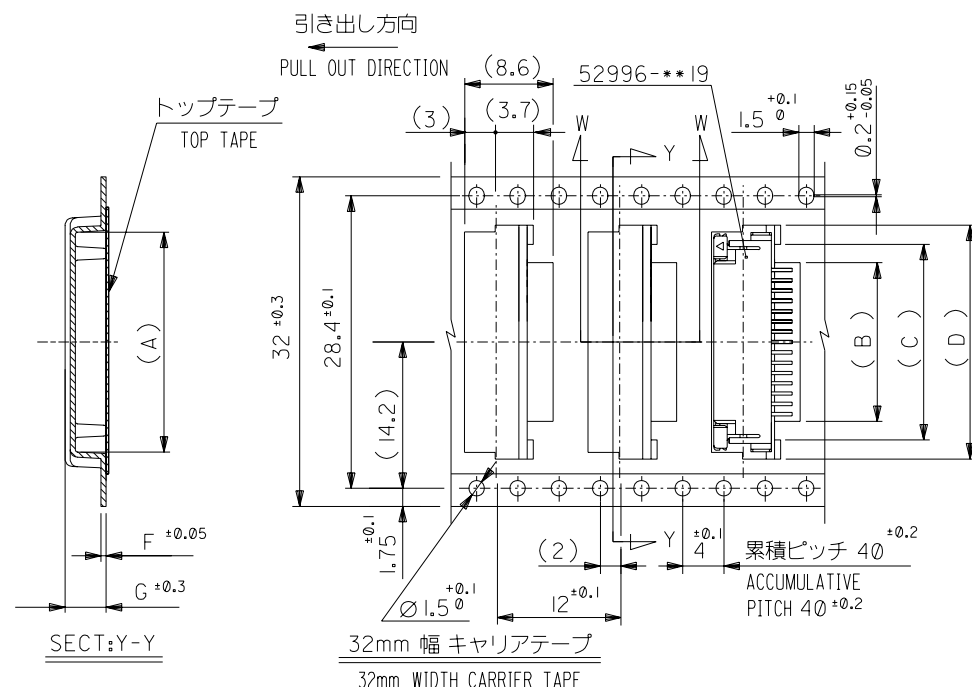
記号 LTR	変更内容 REVISION RECORD	DR. CHK.	日付 DATE
①	新規作成 PROPOSED (J2004-288)	M.N.	'04/03/05

THIS DRAWING CONTAINS INFORMATION THAT IS PROPRIETARY TO MOLEX(JAPAN) AND SHOULD NOT BE USED WITHOUT WRITTEN PERMISSION
 本図面は日本モレックス(株)の所有する情報を含むもので 当社の許可なく複製を禁じます。 EN-01C(032)MXJ-32

DIMENSIONS IN METRIC DO NOT SCALE DRAWING

SD-52996-002.S01

DWG. NO. SD-52996-002

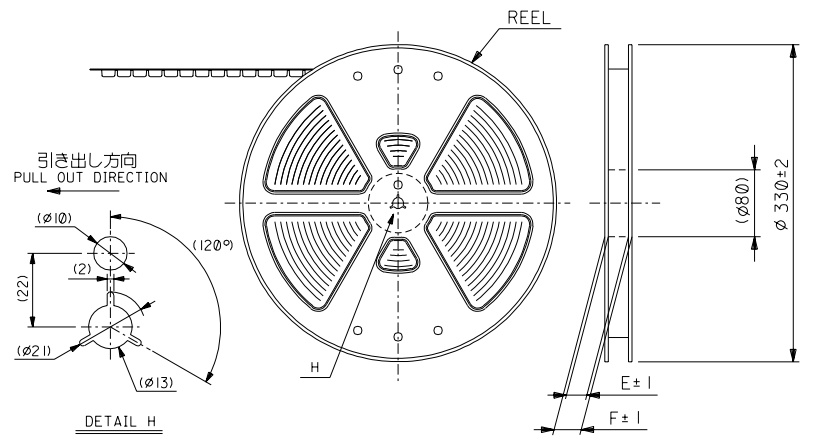


32	37.4	33.4	4.0	0.5	23.5	20	16.7	22.35	52996-1670	16
			4.2	0.6	22.5	19	15.7	21.35	4 -1570	15
			4.2	0.6	21.5	18	14.7	20.35	-1470	14
			4.2	0.6	20.5	17	13.7	19.35	7 -1370	13
			4.2	0.6	19.5	16	12.7	18.35	52996-1270	12
キャリアテープ幅 CARRIER TAPE WIDTH	F	E	(G)	(F)	(D)	(C)	(B)	(A)	MATERIAL NO.	極数 CKT.

44	49.4	45.4	34.5	31	27.7	33.35	52996-2770	27
			33.5	30	26.7	32.35	4 -2670	26
			32.5	29	25.7	31.35	-2570	25
			31.5	28	24.7	30.35	-2470	24
			30.5	27	23.7	29.35	-2370	23
			29.5	26	22.7	28.35	-2270	22
			28.5	25	21.7	27.35	-2170	21
			27.5	24	20.7	26.35	-2070	20
			26.5	23	19.7	25.35	-1970	19
			25.5	22	18.7	24.35	7 -1870	18
24.5	21	17.7	23.35	52996-1770	17			
キャリアテープ幅 CARRIER TAPE WIDTH	F	E	(D)	(C)	(B)	(A)	MATERIAL NO.	極数 CKT.

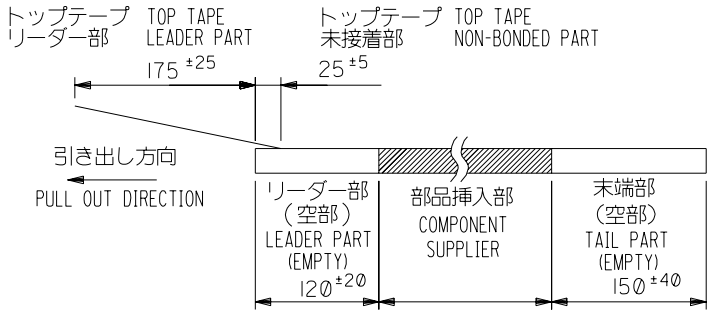
角度 ANGLE	±3°
30°以上 OVER	±0.5
10°以上 30°未満 UNDER	±0.25
10°未満 UNDER	±0.2
一般公差 GENERAL TOLERANCES	◎
記号 LTR	◎
変更内容 REVISION RECORD	新規作成 (J2004-288)
DR. CHK.	M.N. M.S.
日付 DATE	'04/03/05

材料 MATERIAL	注記参照 SEE NOTES	52996-002 S02 MODEL NO.
仕上げ FINISH	—//—	REVISE ONLY ON CAD SYSTEM
適用電線範囲 WIRE RANGE	—//—	TITLE 名称 EMBOSSD TAPE PACKAGE FOR 52996-***19 -LEAD FREE-
被覆外径 INS. RANGE	—//—	DWG. NO. SD-52996-002 (SHEET 2 OF 3)
DRAWN BY '04/03/05 M.NABEI	CHK'D BY '04/03/05 K.TOJO	REV ◎
APP'D BY '04/03/05 M.SASAO	尺度 SCALE —//—	

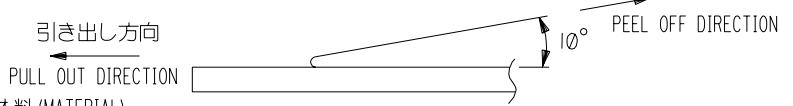


注記 NOTES

- 製品番号 52996-**19 の梱包状態はアクチュエータがロックした状態とする。
IN THE PACKAGE, ACTUATOR OF PART NO. 52996-**19 SHOULD BE LOCKED
RE DETAILED DIMENSIONS, SEE SD-52996-001
- 梱包数量：1000個/リール
NUMBER OF CONNECTORS：1000PCS/REEL
- リードテープ長さ(LEAD TAPE LENGTH)



- トップテープの剥離強度：0.1~1.3N {10~130gf}
(剥離方向は下図参照)
尚、本規格値は、出荷時に適用。(但し、輸送時に剥離が発生しない事。)
PEELING OFF FORCE OF TOP TAPE：0.1~1.3N {10~130gf}
(PEELING DIRECTION AS SHOWN IN FOLLOWING FIG.)
THIS REQUIREMENT SHOULD BE APPLIED AT SHIPMENT. (PEEL OFF SHOULD NOT BE ALLOWED, DURING TRANSPORTATION.)

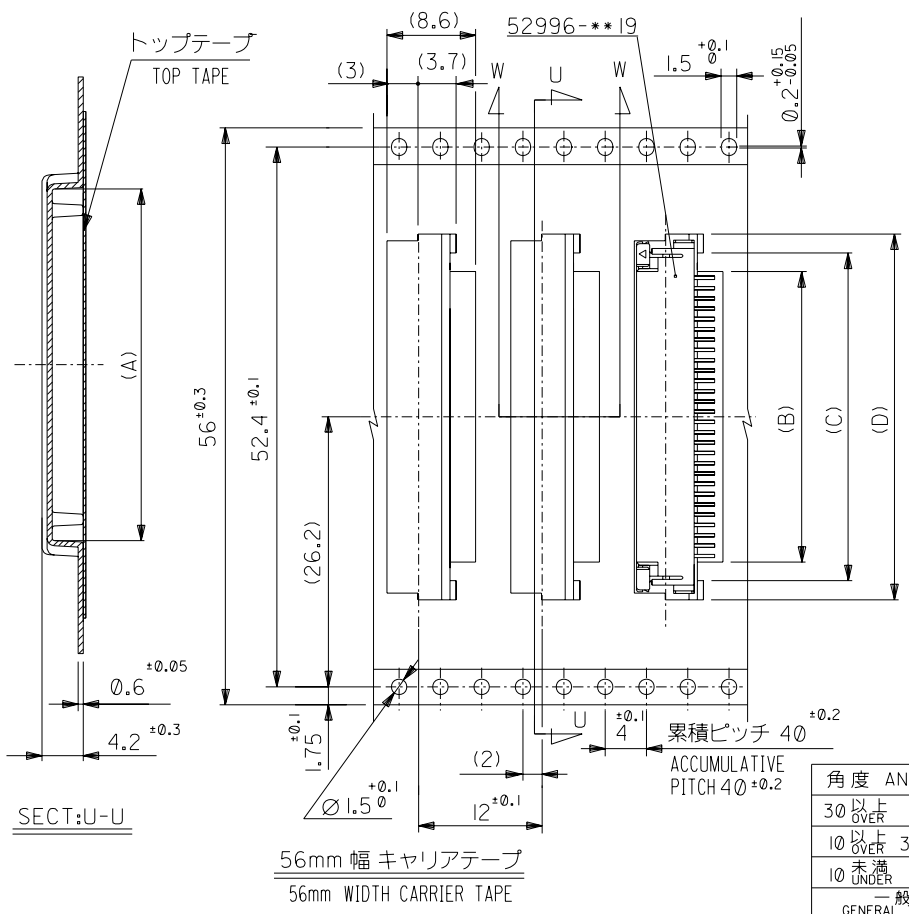


- 材料 (MATERIAL)
キャリアテープ：ポリプロピレン (PP)
CARRIER TAPE：POLYPROPYLENE
トップテープ：PET, PE, PEF
TOP TAPE：PET, PE, PEF
リール：紙製
REEL：CARD BOARD

- 本製品は 52996-**90 の鉛フリー品である。
THIS PRODUCT IS LEAD FREE OF 52996-**90

52996-**70	キャリアテープ幅	F	E	(D)	(C)	(B)	(A)	MATERIAL NO.	極数
MODEL NO.	CARRIER TAPE WIDTH								CKT.
				37.5	34	30.7	36.35	52996-3070	30
				36.5	33	29.7	35.35	52996-2970	29
				35.5	32	28.7	34.35	52996-2870	28

材料 MATERIAL		注記参照 SEE NOTES		molex MOLEX-JAPAN CO.,LTD. 日本モレックス株式会社	
仕上げ FINISH		—		REVISE ONLY ON CAD SYSTEM	
適用電線範囲 WIRE RANGE		—		TITLE 名称	
被覆外径 INS. RANGE		—		EMBOSSSED TAPE PACKAGE FOR 52996-**19	
DRAWN BY '04/03/05 M.NABEI		CHK'D BY '04/03/05 K.TOJO		-LEAD FREE-	
APP'D BY '04/03/05 M.SASAO		尺度 SCALE		DWG. NO. SD-52996-002 (SHEET 3 OF 3)	
REV 0					



角度 ANGLE	±3°
30以上 OVER	±0.5
10以上 30未満 UNDER	±0.25
未満 10 UNDER	±0.2