



# TAI-SAW TECHNOLOGY CO., LTD.

No. 3, Industrial 2nd Rd., Ping-Chen Industrial District,  
Taoyuan, 324, Taiwan, R.O.C.

TEL: 886-3-4690038 FAX: 886-3-4697532

E-mail: [tstsales@mail.taisaw.com](mailto:tstsales@mail.taisaw.com) Web: [www.taisaw.com](http://www.taisaw.com)

## Approval Sheet For Product Specification

Issued Date:

Product Name: SAW Filter 902.5MHz

TST Parts No.:TA0143A

Customer Parts No.:\_\_\_\_\_

|                     |
|---------------------|
| Company: _____      |
| Division: _____     |
| Approved by : _____ |
| Date: _____         |

Checked by: \_\_\_\_\_ Elvis Chiu

Approval by: \_\_\_\_\_ Vincent Lee

Date: \_\_\_\_\_ 2002/10/28



# TAI-SAW TECHNOLOGY CO., LTD.

No. 3, Industrial 2nd Rd., Ping-Chen Industrial District,  
Taoyuan, 324, Taiwan, R.O.C.

TEL: 886-3-4690038 FAX: 886-3-4697532

E-mail: [tstsales@mail.taisaw.com](mailto:tstsales@mail.taisaw.com) Web: [www.taisaw.com](http://www.taisaw.com)

## SAW Filter 902.5 MHz

MODEL NO.: TA0143A

REV. NO.:3

### A. MAXIMUM RATING:

1. Input Power Level: 10 dB<sub>m</sub>
2. DC voltage: 0 V
3. Operating Temperature: -25°C to +75°C
4. Storage Temperature: -40°C to +85°C

RoHS Compliant  
Lead free  
Lead-free soldering

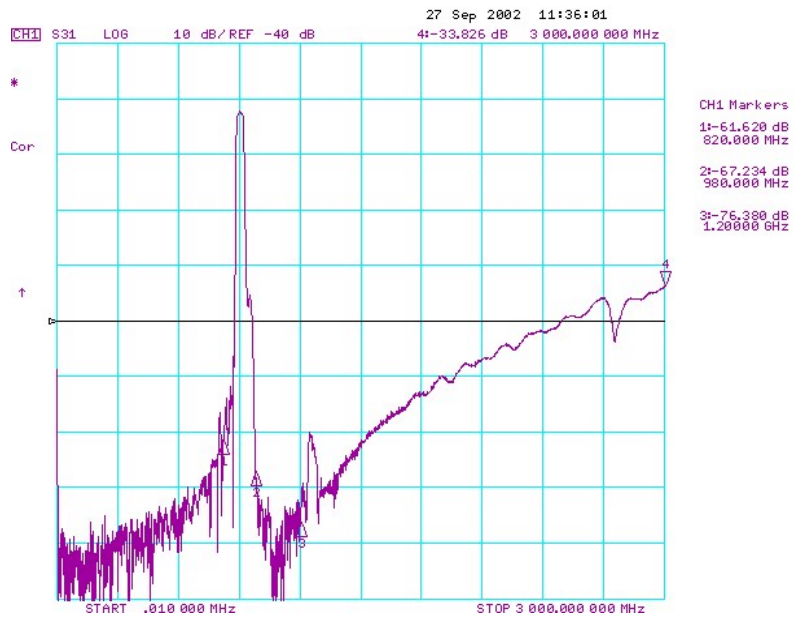
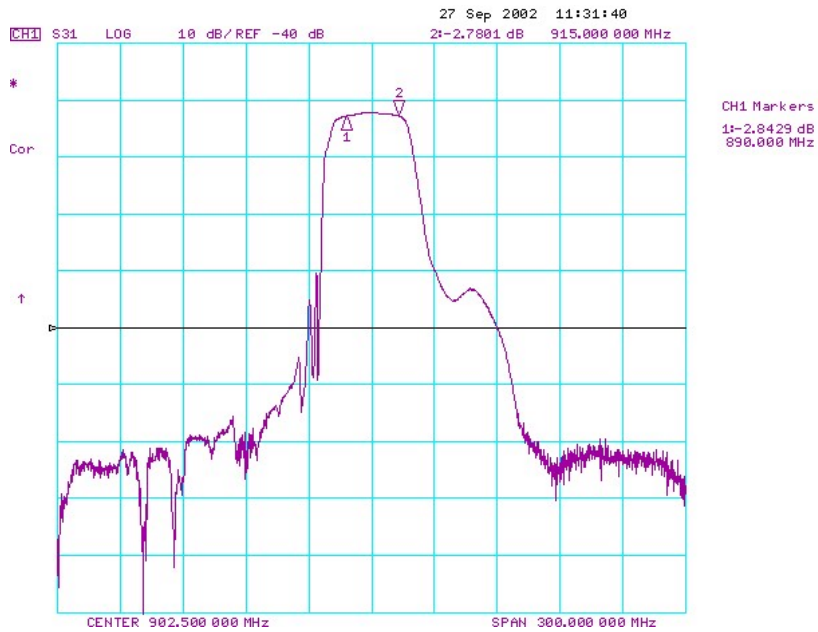
### B. ELECTRICAL CHARACTERISTICS:

| Characteristics                                 |                           |     | Specification |       |     | Note |
|---|---------------------------|-----|---------------|-------|-----|------|
|   |                           |     | Min.          | Typ.  | Max |      |
| Center frequency                                | <b>F<sub>c</sub></b>      | MHz | -             | 902.5 | -   | -    |
| Insertion loss( 890~915 MHz )                   | <b>I.L.</b>               | dB  | -             | 2.9   | 3.5 | -    |
| V.S.W.R( 890~915 MHz )                          |                           |     | -             | 1.5   | 2.3 | -    |
| Ripple( 890~915 MHz )                           |                           | dB  | -             | 0.5   | 1.5 | -    |
| <b>Attenuation:( Reference level from 0 dB)</b> |                           |     |               |       |     |      |
| 1) 0 ~ 845 MHz                                  |                           | dB  | 45            | 51.0  | -   | -    |
| 2) 925 ~ 935 MHz                                |                           | dB  | 5             | 21.0  | -   | -    |
| 3) 935 ~ 980 MHz                                |                           | dB  | 25            | 28.0  | -   | -    |
| 4) 980 ~ 1200 MHz                               |                           | dB  | 50            | 56.0  | -   | -    |
| 5) 1200~3000 MHz                                |                           | dB  | 25            | 28.0  | -   | -    |
| Impedance at <b>F<sub>c</sub></b> ; Input       | $Z_{IN}=R_{IN}/C_{IN}$    |     | 50Ω // 0 PF   |       |     | 1    |
| Output  | $Z_{OUT}=R_{OUT}/C_{OUT}$ |     | 50Ω // 0 PF   |       |     | 1    |

Note1. No matching network required for operation at 50 Ω

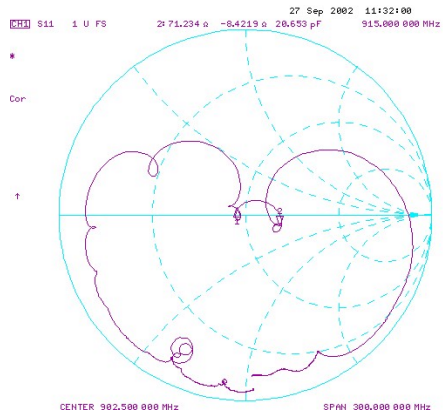
### C. Frequency Characteristics :

#### 1.wide band of S21

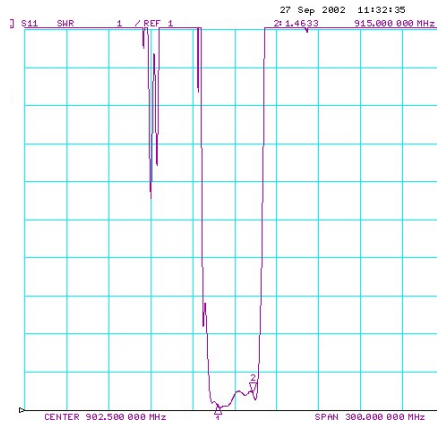


## D. Reflections Functions :

S11

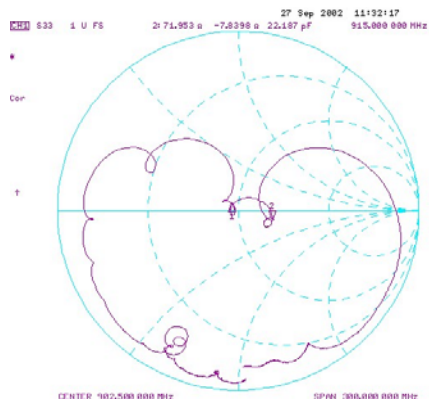


CH1 Markers  
 1: 45.285 Ω  
 2: 3.3652 Ω  
 3: 890.000 MHz

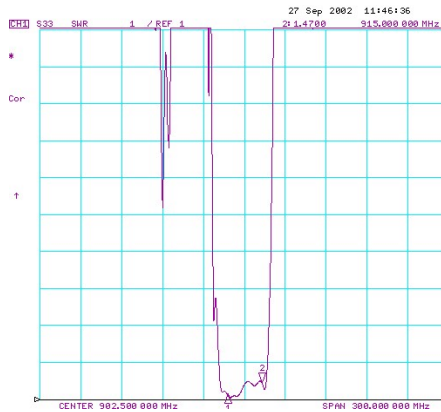


CH1 Markers  
 1: 1.1389  
 2: 890.000 MHz

S22

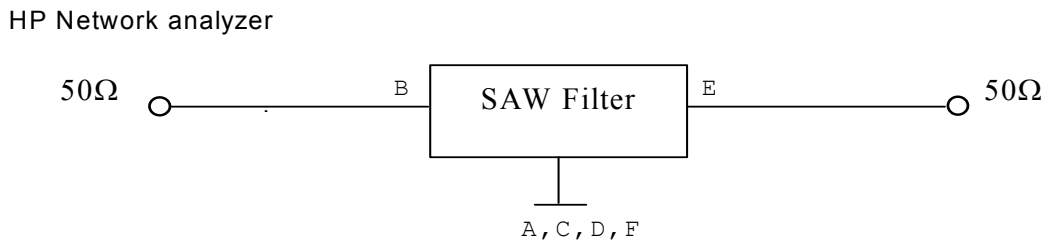


CH1 Markers  
 1: 45.877 Ω  
 2: 3.3440 Ω  
 3: 890.000 MHz

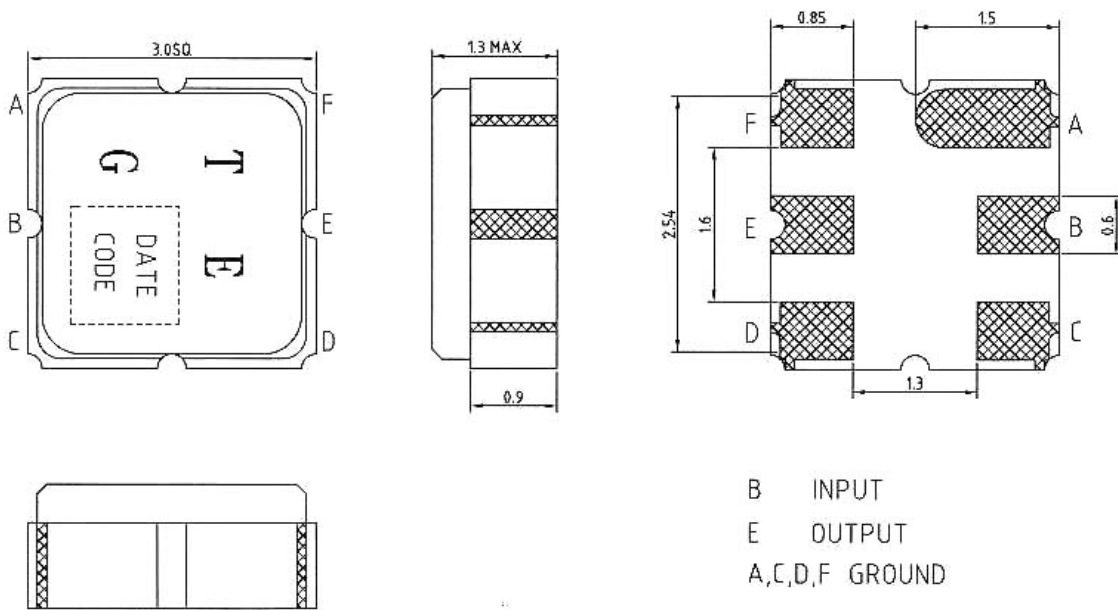


CH1 Markers  
 1: 1.1277  
 2: 890.000 MHz

**E. MEASUREMENT CIRCUIT:**

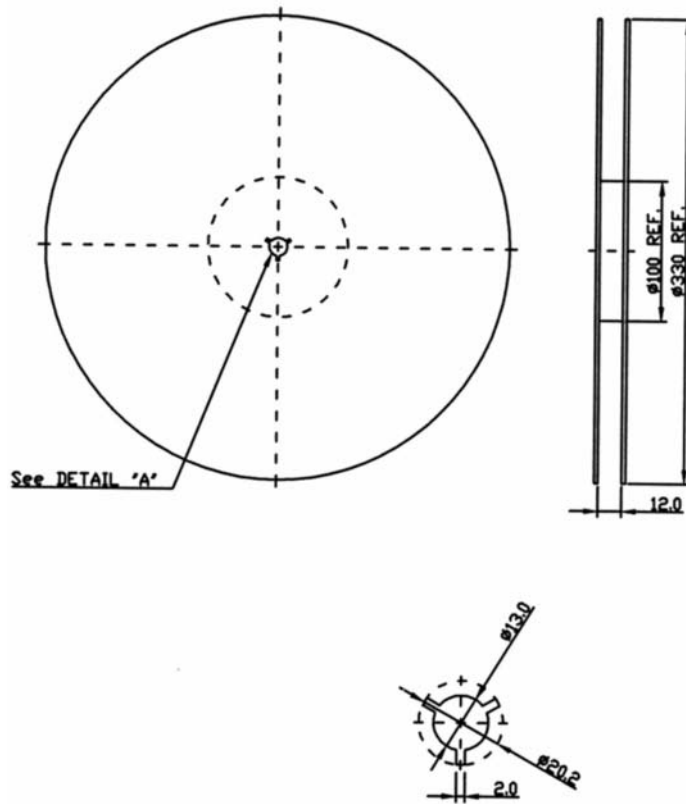


**F. OUTLINE DRAWING:**



## G. PACKING:

### 1. REEL DIMENSION



### 2. TAPE DIMENSION

