



INTEGRATED CO SIDE HYBRID FILTER

P/N: VD-7060 DATA SHEET

Feature

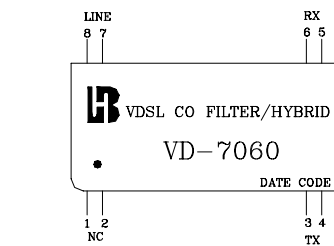
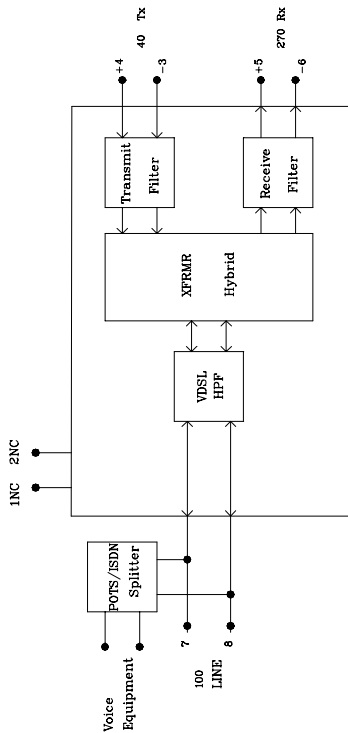


- Designed for VDSL solution over 100Ω cable.
- Operating in VDSL Frequency Band: 1MHz to 12MHz.
- Operating Temperature: -10°C to +60°C.
- Storage Temperature: -25°C to +75°C.

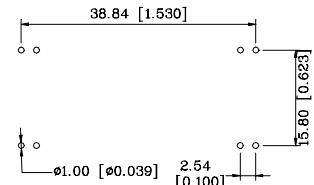
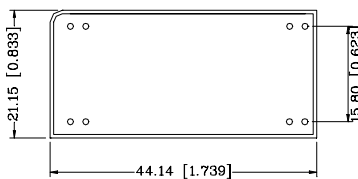
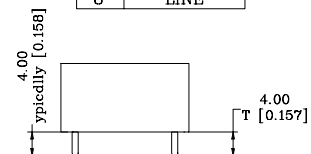
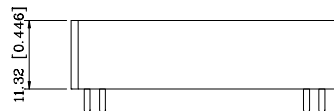
Electrical Specifications @ 25°C			
Description	Passband Insertion Loss	Stopband Insertion Loss	Impedance
Transmit To LINE	-5dB Max.@1M-3.4MHz -5dBMax.@5.7M-8.1MHz	-60dB Min.@DC-150KHz	40-100Ω
LINE To Receive	-5dB Max.@4M-5.04MHz -5dBMax.@9.1M-11.9MHz	-17dB Min.@DC-3.4MHz -17dB Min.@5.7M-8.1MHz -26dB Min.@26M-40MHz	100-270Ω
Return Loss	-12dB Min.@ 4M-4.94MHz, -10dB Min. @ 4.94M-5.04MHz -12dB Min.@ 9.1M-11.9MHz		
Tx TO Rx Attenuation	-20dB Min.@4M-5.04MHz -20dBMin@9.1M-11.9MHz	-37dB Min @1M-3.4MHz -37dB Min@5.7M-8.1MHz	40-270Ω

Schematic

Mechanical



PIN	ALLOCATION
1	NC
2	NC
3	TX-
4	TX+
5	RX+
6	RX-
7	LINE
8	LINE



Units: mm [Inches] Tolerances: xx.x0±0.25 [0.010]
0.xx±0.05 [0.002]