

PLEASE CHECK WWW.MOLEX.COM FOR LATEST PART INFORMATION

Part Number: [0907790004](#)
Status: **Active**
Description: 1.27mm (.050") Pitch Picoflex® PF-50 Header, Vertical, Low Profile, High Temperature Surface Mount Compatible, 10 Circuits, Glow Wire Compatible

Documents:

[3D Model](#) [Product Specification PS-99020-0011 \(PDF\)](#)
[Drawing \(PDF\)](#) [RoHS Certificate of Compliance \(PDF\)](#)

General

Product Family PCB Headers
 Series [90779](#)
 Application Wire-to-Board
 Application Tooling Part Link 690081070
 Product Name Picoflex®

Physical

Breakaway No
 Circuits (Loaded) 10
 Color - Resin Natural
 Durability (mating cycles max) 30
 First Mate / Last Break No
 Glow-Wire Compliant Yes
 Guide to Mating Part No
 Keying to Mating Part None
 Lock to Mating Part Yes
 Material - Metal Brass
 Material - Plating Mating Tin
 Material - Resin High Temperature Thermoplastic
 Number of Rows 1
 Orientation Vertical
 PCB Retention Yes
 PCB Thickness Recommended (in) 0.062 In
 PCB Thickness Recommended (mm) 1.60 mm
 Packaging Type Bag
 Pitch - Mating Interface (in) 0.050 In
 Pitch - Mating Interface (mm) 1.27 mm
 Plating min: Mating (µin) 160
 Plating min: Mating (µm) 4
 Plating min: Termination (µin) 160
 Plating min: Termination (µm) 4
 Polarized to Mating Part Yes
 Polarized to PCB Yes
 Shrouded No
 Stackable No
 Surface Mount Compatible (SMC) Yes
 Temperature Range - Operating -40°C to +105°C
 Termination Interface: Style Through Hole

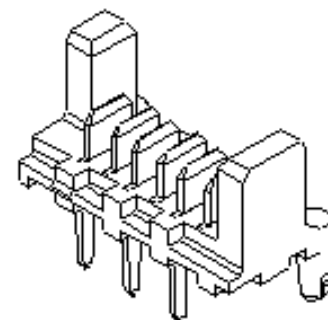
Electrical

Current - Maximum per Contact 1.2A
 Voltage - Maximum 250V

Solder Process Data

Lead-free Process Capability Wave Capable (TH only)

Material Info



Series
image - Reference only

EU RoHS

ELV and RoHS Compliant
REACH SVHC Contains SVHC: No
Halogen-Free Status Not Reviewed

China RoHS



Need more information on product environmental compliance?

Email productcompliance@molex.com
 For a multiple part number RoHS Certificate of Compliance, [click here](#)

Please visit the [Contact Us](#) section for any non-product compliance questions.

Search Parts in this Series

[90779Series](#)

Mates With

[90327 IDT Connector](#)

Application Tooling | FAQ

Tooling specifications and manuals are found by selecting the products below. Crimp Height Specifications are then contained in the Application Tooling Specification document.

Global

Description	Product #
Extraction Tool (Plastic) for 90327 Connector, 4-26 Circuit	0690081070

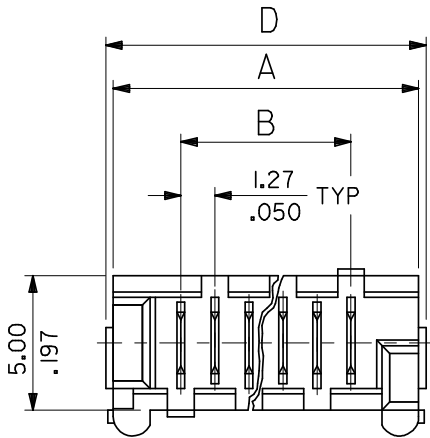
Reference - Drawing Numbers

Product Specification
Sales Drawing

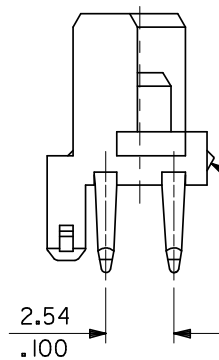
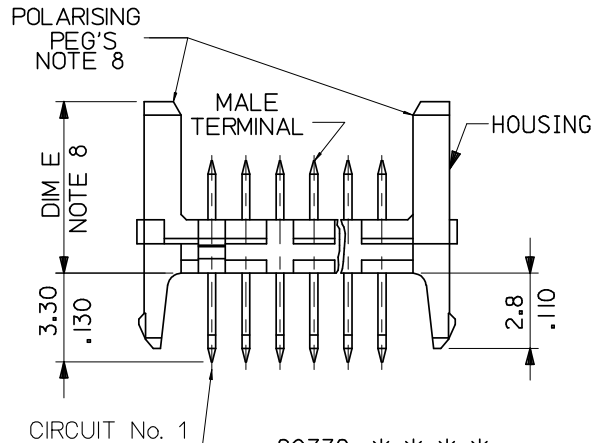
PS-99020-0011
SDA-90779

This document was generated on 04/09/2010

PLEASE CHECK WWW.MOLEX.COM FOR LATEST PART INFORMATION

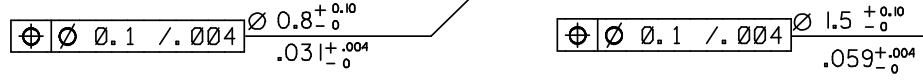
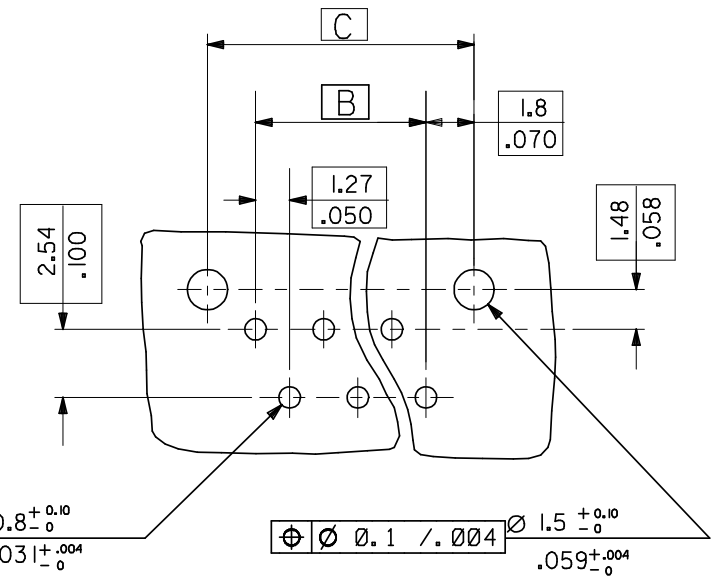


MOULD BASE COLOUR: NATURAL



LATCH FOR FEMALE CONNECTOR

PCB LAYOUT VIEWED FROM SOLDER SIDE. BOARD 1.60±0.14 THK .063±.006 THK.



90779-***13	26	36.80 / 1.449	31.75 / 1.250	35.35 / 1.392	37.26 / 1.467	14
↑ -**12	24	34.26 / 1.349	29.21 / 1.150	32.81 / 1.292	34.72 / 1.367	15
-**11	22	31.72 / 1.249	26.67 / 1.050	30.27 / 1.192	32.18 / 1.267	16
-**10	20	29.18 / 1.149	24.13 / .950	27.73 / 1.092	29.64 / 1.167	18
-**08	18	26.64 / 1.049	21.59 / .850	25.19 / .992	27.10 / 1.067	19
-**07	16	24.10 / .949	19.05 / .750	22.65 / .892	24.56 / .967	22
-**06	14	21.56 / .849	16.51 / .650	20.11 / .792	22.02 / .867	24
-**05	12	19.02 / .749	13.97 / .550	17.57 / .692	19.48 / .767	27
-**04	10	16.48 / .649	11.43 / .450	15.03 / .592	16.94 / .667	32
-**03	8	13.94 / .549	8.89 / .350	12.49 / .492	14.40 / .567	36
↓ -**02	6	11.40 / .449	6.35 / .250	9.95 / .392	11.86 / .467	44
90779-***01	4	8.86 / .349	3.81 / .150	7.41 / .292	9.32 / .367	57
PART NO.	NO. OF CKTS	DIM. A	DIM. B	DIM. C	DIM. D	NO. ASSYS IN TUBE

90779-***
 0= 4-6um TIN ASSY
 3= 0.76um GOLD ASSY
 7= 0.76um GOLD, TUBED
 9= 4-6um TIN ASSY TUBED
 CIRCUIT SIZE 04CKT TO 26CKT -SEE TABLE ABOVE FOR PART CODE
 0 - STANDARD
 9 - SHORT VERSION

NOTES
 1. HOUSING. NYLON 46, GLASS FILLED UL 94 V-0, NATURAL (WHITE).
 2. TERMINAL. BRASS
 PLATING. TIN: 0.00127mm/.011" MIN NICKEL UNDER 0.004-0.006mm/.160-.240" TIN

PLATING. GOLD: 0.00127mm/.050" MIN. NICKEL UNDER 0.003-0.005mm/.120-.200" TIN SELECTIVE AND 0.00076mm/.030" SELECTIVE GOLD

3. APPLICATION CLASS TO DIN 40040 HME (-25°C/+100°C)
 4. PIN PUSH FORCE 7N
 5. TEST VOLTAGE: 750V.A.C./1 MIN
 6. COMPATIBLE WITH MOLEX PART 90327
 7. PRODUCT SPECIFICATION: PS-99020-0011
 8. POLARISING PEG AVAILABLE IN 2 OPTIONS
 DIM E: STANDARD 6.40mm/.252"
 DIM E: SHORT VERSION 4.10mm/.161"

ADDED PART NUMBERS SHORT POL PEG VERSION EC NO: E2008-0379	2008/02/28 2008/02/28 2008/02/28	DRWN: DBYRNES CHKD: APPR: J WALLACE	DESCRIPTION	QUALITY SYMBOLS ▽=0 ▽=0
--	--	---	-------------	-------------------------------

GENERAL TOLERANCES (UNLESS SPECIFIED)	DIMENSION STYLE MM/IN	SCALE 5:1	DESIGN UNITS METRIC	THIRD ANGLE PROJECTION
4 PLACES ± --- ±.008	DRAWN BY BGB	DATE 1992/08/21	HEADER ASSEMBLY	
3 PLACES ± 0.20 ±.008	CHECKED BY DMOR I ARTY	DATE 2004/12/03		
2 PLACES ± 0.20 ± ---	APPROVED BY J DENNEHY	DATE 2004/12/03		
1 PLACE ± --- ± ---	MATERIAL NO.	DOCUMENT NO. SDA-90779		
ANGULAR ± --- °	SEE CHART	SHEET NO. 1 OF 1		

DRAFT WHERE APPLICABLE MUST REMAIN WITHIN DIMENSIONS		THIS DRAWING CONTAINS INFORMATION THAT IS PROPRIETARY TO MOLEX INCORPORATED AND SHOULD NOT BE USED WITHOUT WRITTEN PERMISSION	
--	--	---	--