

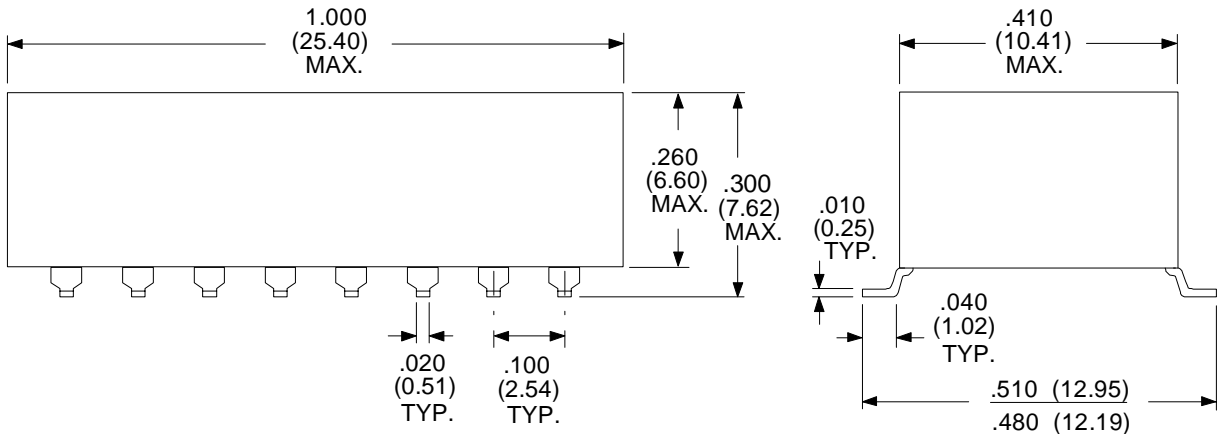
10/100 BASE-T SINGLE PORT TRANSFORMER MODULE

1 : 1 Transmit Turns Ratio Compatible With Intel, National Semiconductor, Level One, ICS, Kendin, TDK, Broadcom, SEEQ and Lucent Transceivers

Electrical Specifications at 25° C

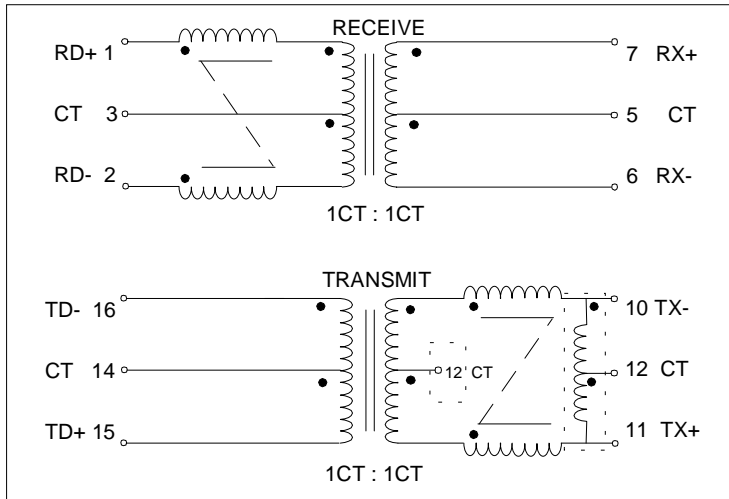
Part Number	Insertion Loss (dB MAX)	Return Loss (dB MIN @ 100Ω)				Crosstalk (dB MIN)			Differential to Common Mode Rejection (dB MIN)			Hipot (Vrms MIN)
		1-30MHz	40MHz	50MHz	60-80MHz	30MHz	60MHz	100MHz	30MHz	60MHz	100MHz	
T-17000	-1.0	-22	-20	-18	-12	-50	-40	-40	-42	-38	-32	1500
T-17001	-1.0	-22	-20	-18	-12	-50	-40	-40	-45	-40	-35	1500
T-17002	-1.0	-22	-20	-18	-12	-50	-40	-40	-45	-40	-35	1500
T-17003	-1.0	-20	-18	-18	-14	-45	-40	-35	-45	-40	-35	1500
T-17004	-1.0	-20	-20	-18	-14	-50	-40	-40	-42	-36	-33	1500
T-17006	-1.0	18	-18	-16	-12	-55	-50	-50	-50	-45	-40	1500

- Mil. Grade Epoxy encapsulated package withstands 235°C IR reflow
- Meets all IEE 802.3 and ANSI X3.263 standards including 350 μH OCL with 8 mA bias
- Tape and Reel available.



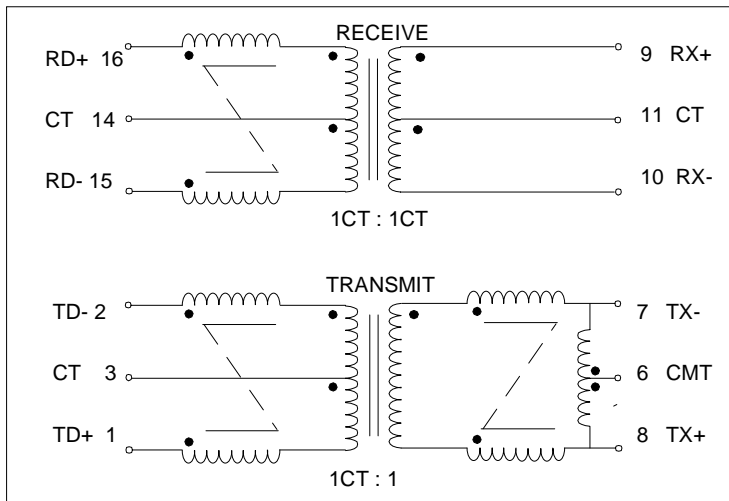
Dimensions in inches (mm)

Schematic Diagram

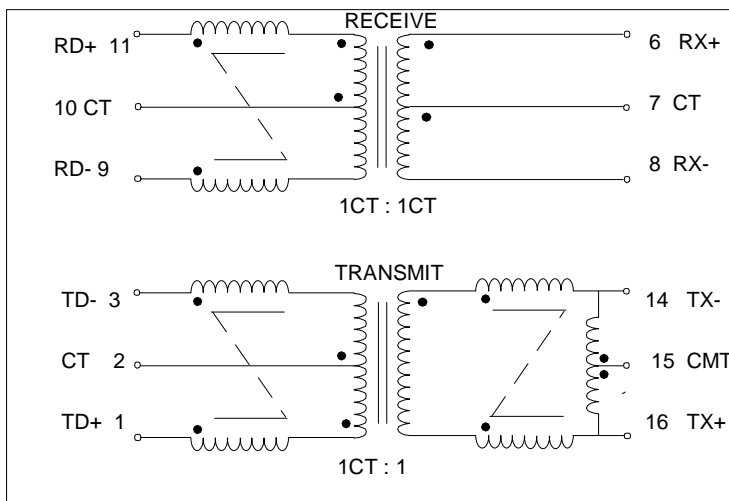


**T-17006, T-17004, T-17002
T-17000**

Center-tapped inductor not included in T-17000, so pin #12 connects to the transformer center tap.



T-17005, T-17003



T-17001