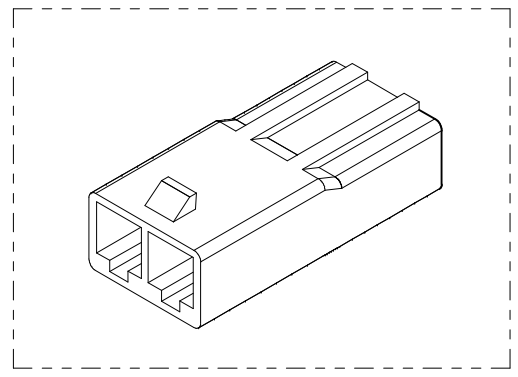
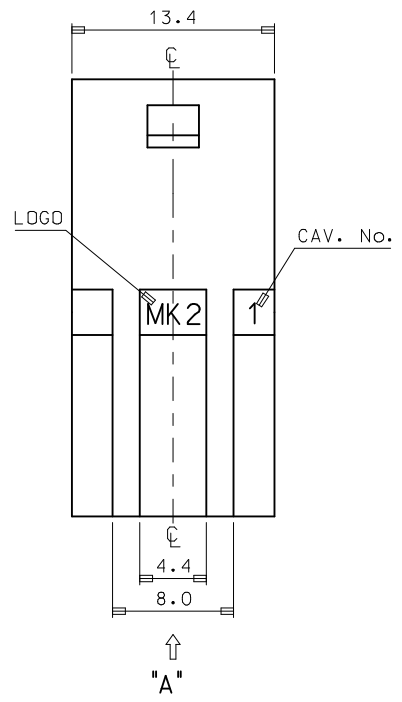
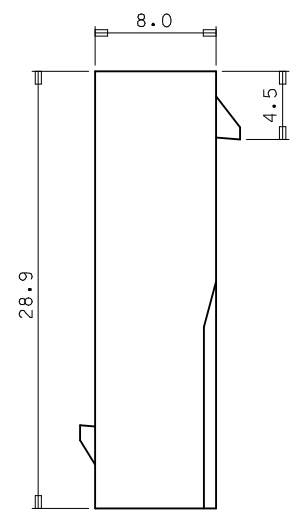


- NOTES
1. MATERIAL : SEE TABLE
  2. COLOR : SEE TABLE
  3. MATCHED HOUSING : 35151-021\*  
35150-029\* (TPA)
  4. APPLIED TERMINAL : 35745-0\*10



NO	PRODUCT		MATERIAL	
	PART NO	MATERIAL NO	COLOR	DESCRIPTION
1	35150-0200	351500200	NATURAL	PBT (UL94V-0)
2	35150-0202	351500202	RED	
3	35150-0204	351500204	BLUE	
4	35150-0209	351500209	NATURAL	PC/PET (UL94V-0)
5	35150-2209	351502209	RED	
6	35150-3209	351503209	YELLOW	
7	35150-4209	351504209	BLUE	

**REVISED**  
 EC NO: KOR2009-0026  
 DRWN: JHPARK01 2008/09/25  
 CHKD: WY YANG 2008/11/25  
 APPR: YUNSIKKIM 2008/11/25

QUALITY SYMBOLS

	GENERAL TOLERANCES (UNLESS SPECIFIED)	
	mm	INCH
4 PLACES	± ---	± ---
3 PLACES	± ---	± ---
2 PLACES	± ---	± ---
1 PLACE	± 0.2	± ---
ANGULAR ± 1 °		

DRAFT WHERE APPLICABLE  
MUST REMAIN WITHIN DIMENSIONS

DIMENSION STYLE  
**MM ONLY**

DRAWN BY: JS.KANG  
CHECKED BY: \_\_\_\_\_  
APPROVED BY: \_\_\_\_\_

MATERIAL NO.  
**SEE TABLE**

SIZE  
**A3**

SCALE  
**3:1**

DESIGN UNITS  
**METRIC**

THIRD ANGLE PROJECTION

TITLE  
**6.2 PITCH W/W CONN  
MALE HOUSING-2P(W/O EAR)**

**MOLEX INCORPORATED**

DOCUMENT NO.  
**SD-35150-020\***

SHEET NO.  
**1 OF 01**

THIS DRAWING CONTAINS INFORMATION THAT IS PROPRIETARY TO MOLEX INCORPORATED AND SHOULD NOT BE USED WITHOUT WRITTEN PERMISSION