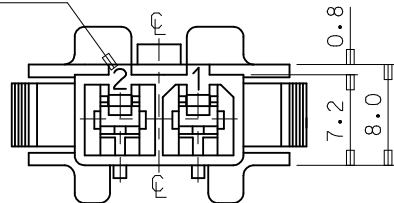
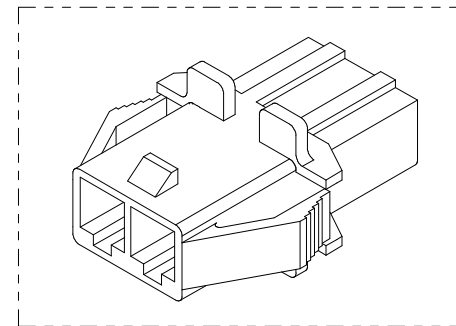
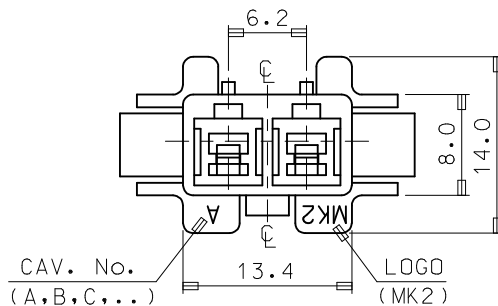


CIRCUIT No.

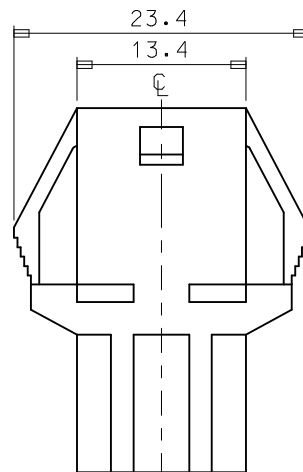
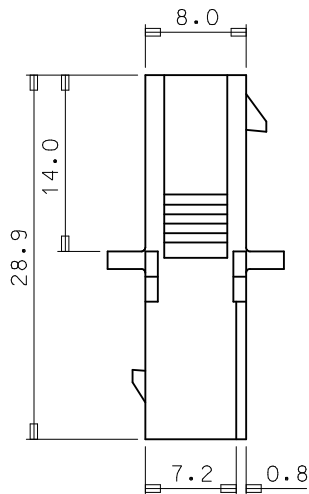


VIEW "A"

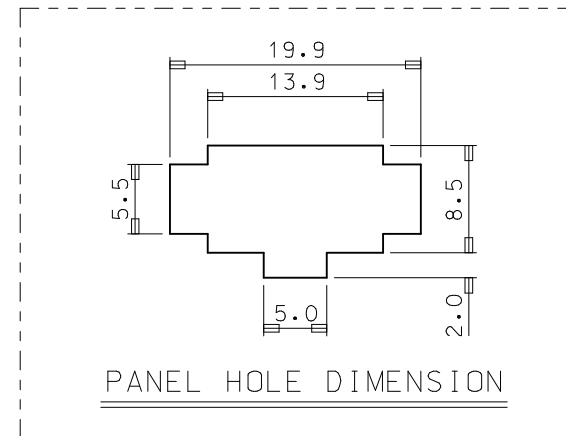


NOTES

1. MATERIAL & COLOR : SEE TABLE
2. MATCHED HOUSING : 35151-021\*
3. APPLIED TERMINAL : 35745-0\*10



↑  
"A"



NO	PRODUCT		MATERIAL	
	PART NO	MATERIAL NO	COLOR	DESCRIPTION
1	35150-0210	351500210	NATURAL	PBT (UL94V-0)
2	35150-0212	351500212	RED	
3	35150-0214	351500214	BLUE	
4	35150-0219	351500219	NATURAL	PC/PET (UL94V-0)
5	35150-2219	351502219	RED	
6	35150-3219	351503219	YELLOW	
7	35150-4219	351504219	BLUE	

REVISED  
EC NO: KOR2009-0026  
DRWN: JHPARK01 2008/09/25  
CHKD: WY YANG 2008/11/25  
APPR: YUNSIKKIM 2008/11/25

QUALITY SYMBOLS  
▽=0  
∇=0

GENERAL TOLERANCES (UNLESS SPECIFIED)

	mm	INCH
4 PLACES	± ---	± ---
3 PLACES	± ---	± ---
2 PLACES	± ---	± ---
1 PLACE	± 0.2	± ---

ANGULAR ± 1 °

DRAFT WHERE APPLICABLE  
MUST REMAIN  
WITHIN DIMENSIONS

DIMENSION STYLE  
MM ONLY

DRAWN BY: JS.KANG  
CHECKED BY: \_\_\_\_\_  
APPROVED BY: \_\_\_\_\_

MATERIAL NO.  
**SEE TABLE**

SIZE  
A3

SCALE  
2:1

DESIGN UNITS  
METRIC

THIRD ANGLE PROJECTION

TITLE  
**6.2 PITCH W/W CONN  
MALE HSG-2P(W/EAR)**

**MOLEX INCORPORATED**

DOCUMENT NO.  
**SD-35150-0210**

SHEET NO.  
1 OF 01

THIS DRAWING CONTAINS INFORMATION THAT IS PROPRIETARY TO MOLEX INCORPORATED AND SHOULD NOT BE USED WITHOUT WRITTEN PERMISSION