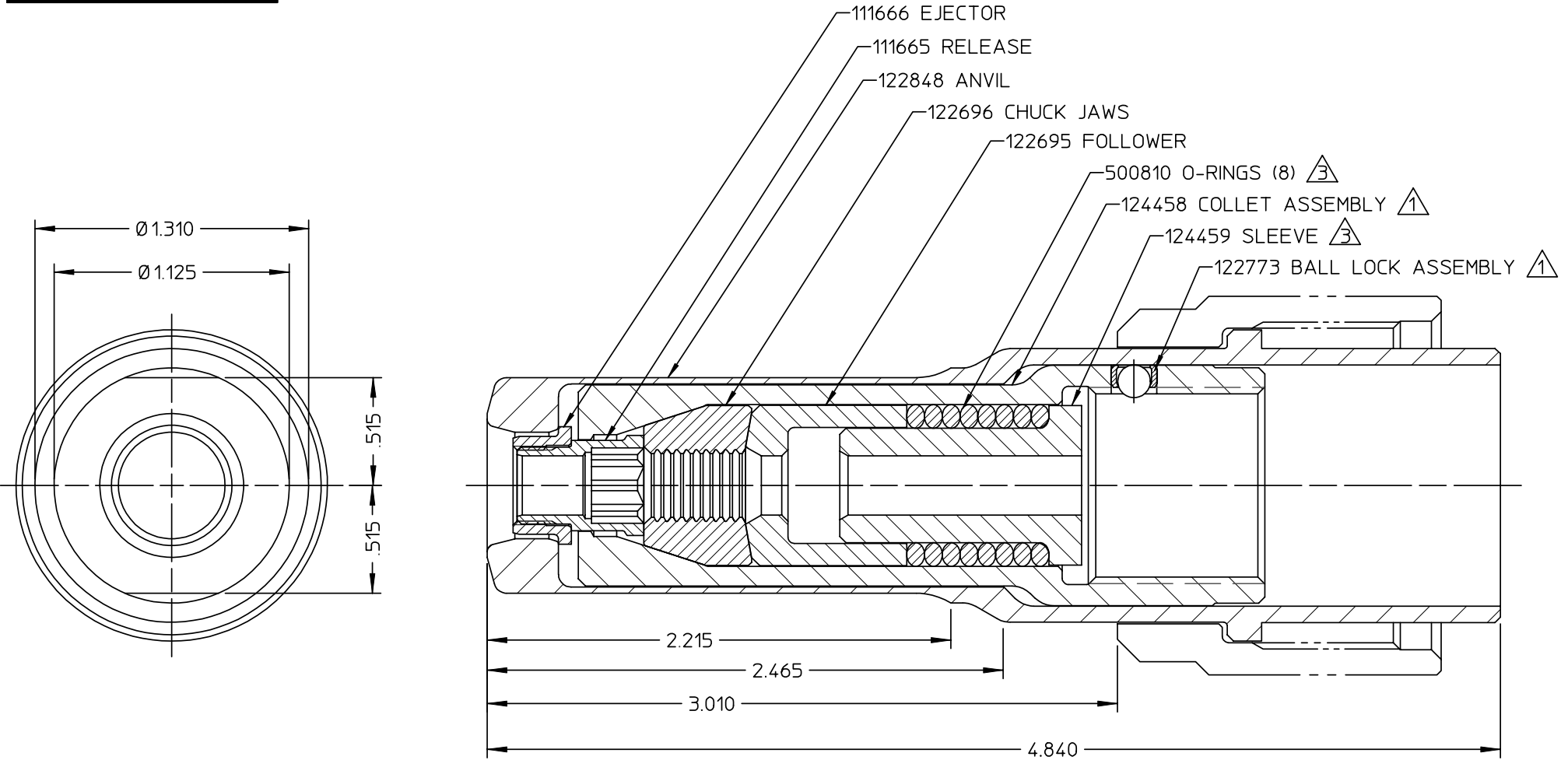


DATA SHEET



NOTES:

- ① COLLET AND LOCK ASSEMBLY P/N 124458 CONSISTS OF:
COLLET P/N 124457 (NOT AVAILABLE SEPARATELY).
BALL LOCK ASSEMBLY P/N 122773
RELEASE 111665 AND
EJECTOR 111666.
- 2 RELEASE AND EJECTOR KIT 111817 CONSISTS OF:
RELEASE 111665 AND
EJECTOR 111666.
- ③ ASSEMBLE SLEEVE AND O-RINGS PER HUCK SPEC. 42-491.
- 4 STEEL DEFLECTOR: 123634-2600 OPTIONALLY AVAILABLE.

Alcoa Fastening Systems

Commercial Products
1 Corporate Drive, Kingston, NY 12401

| | |
|-----------|----------------|
| TYPE: | SELF-RELEASING |
| FASTENER: | -12 BOM |
| TOOL(S): | 2600 |

| | |
|------------|----------------------------|
| Notes: | Product Revision: B |
| US Patent: | Date: 07/09/03 |

99-3124

Part Number