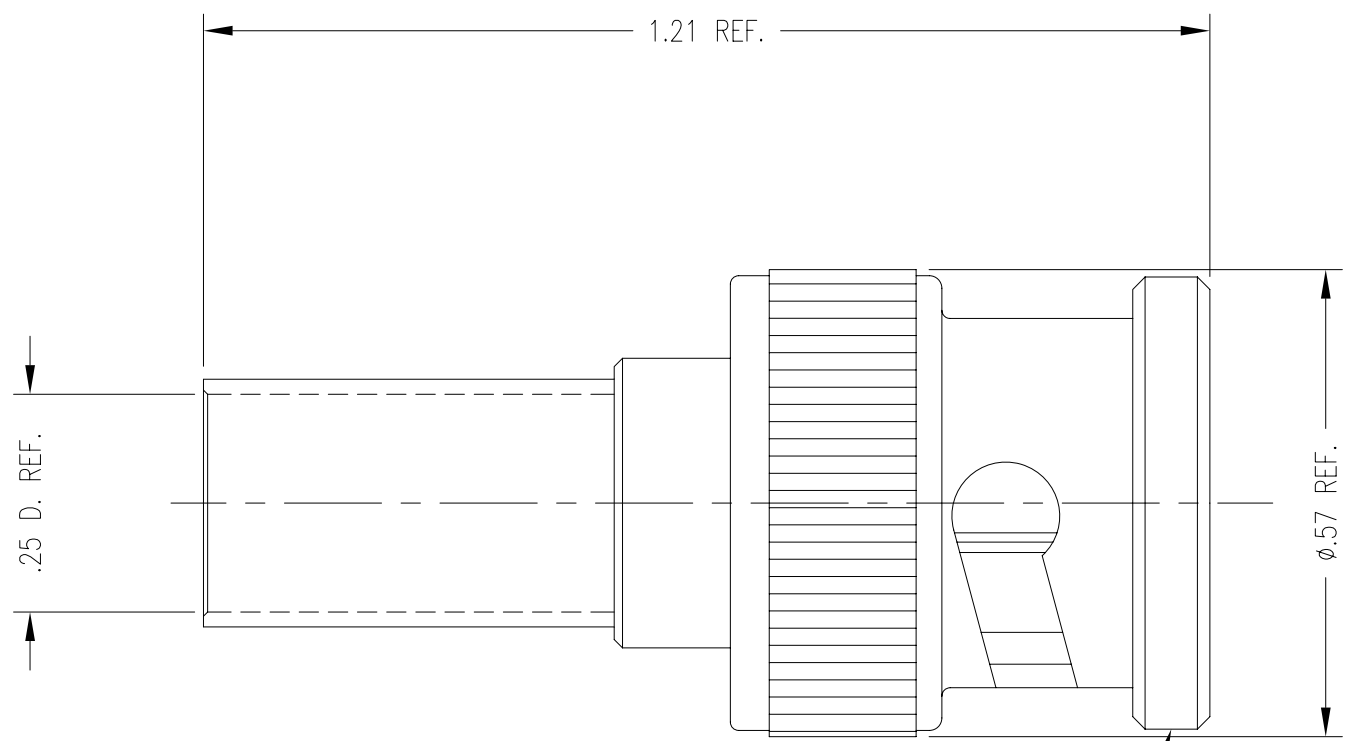


DASH NO.	M CODE	MADE FROM
----------	--------	-----------

REVISIONS	
ISSUE	CHANGES
9	CN 38495 E TML 02/01/02
L	ER 7015 BAM 06/10/08
M	ER 14182 PSM 03/09/09

2065-2-9



- NOTES:
- FOR USE WITH BELDEN 9259 & 1505A CABLES.
 - FOR CABLING INSTRUCTIONS SEE 3-661-1.
 - FOR CABLE TRIMMING USE KTJ-57 & KTD-26.
 - FOR CRIMPING USE DIE KTH-2261.
 - INTERFACE PER KINGS ES-17, FIG. 6.
 - MATERIALS:
 - INSULATOR-TEFLON, ASTM-D-4894
 - GASKET-SILICONE RUBBER, ZZ-R-765
 - SPRING WASHER } BER. COP., ASTM-B-196
 - OUTER CONTACT }
 - K-GRIP SLEEVE-COMMERCIAL BRONZE, ASTM-B-135
 - ALL OTHER METAL PARTS-BRASS, ASTM-B16
 - FINISHES:
 - CENTER CONTACTS-GOLD PLATE PER MIL-G-45204
 - SPRING WASHER-SILVER PLATE PER QQ-S-365
 - ALL OTHER METAL PARTS-KINGS TARNISH RESISTANT NICKEL FINISH (TR-5)
 - ELECTRICAL CHARACTERISTICS:
 - NOMINAL IMPEDANCE- 75 OHMS
 - WORKING VOLTAGE- 500 VRMS
 - FREQUENCY RANGE- DC TO 6 GHz
 - RETURN LOSS: UP TO 1.5GHz, <-30dB
 - UP TO 3.0GHz, <-22dB
 - UP TO 6.0GHz, <-18dB
 - COMPLIANT TO SMPTE 424M (3G-SDI) SPECIFICATION

MARK: KINGS 2065-2-9
YR WK (DATE CODE)

CUSTOMER SALES DRAWING

SCALE	4:1
APPROX SURFACE AREA	
USED ON	
REF:	

PL, 75 BNC

DRAWN	TML	DATE	01/11/99
DESIGN	DCT	DATE	01/11/99
APPR.		DATE	

 by WINCHESTER ELECTRONICS	Winchester Electronics 62 Barnes Industrial Road North Wallingford, CT 06492	B
		SIZE

SD2065-2-9

UNLESS OTHERWISE SPECIFIED

- ALL DIMENSIONS IN INCHES [MILLIMETERS].
- TOLERANCES:

.XXX ±.004	.XX ±.010
[.XXX ±.10]	[.XX ±.25]

 FRACTIONS: X/Y ±.010 [.25] ANGLES: ± 1°

★ CRITICAL DIMENSIONS