

- POE applications with 720mA current capability
- DCR: 1.4Ω Max
- Operating Temp: -40°C to +85°C

Electrical Specifications @ 25°C

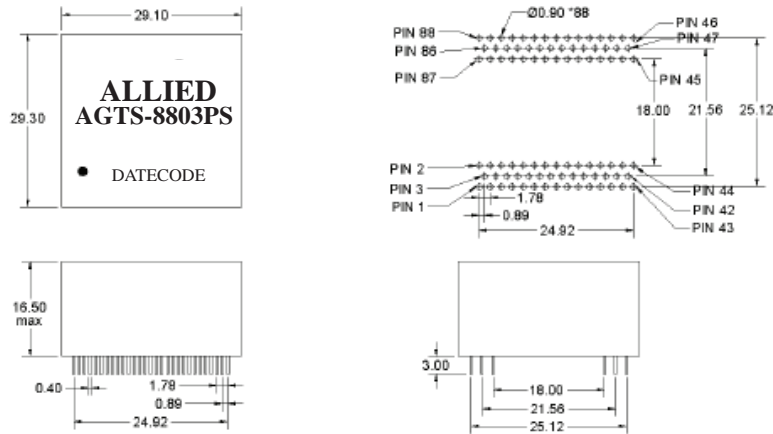
Part Number	OCL(uH Min) @ 100kHz, 0.2V With 8mA DC Bias	Turns Ratio chip: cable (± 5%)	Insertion Loss (dB Max)		Return Loss (dB Min)			
			1-100MHz	1-30MHz	40MHz	50MHz	60-80MHz	100MHz
AGTS-8803PS	350	1CT:1CT	-1.0	-18	-14.4	-13.1	-12	-10

Electrical Specifications @ 25°C

Part Number	Common Mode Rejection (dB Min)			Cross Talk (dB Min)	Isolation HI-POT (Vrms)
	0.3-30MHz	60MHz	100MHz	1-100Hz	
AGTS-8803PS	-40	-35	-30	-30	1500

All specifications subject to change without notice.

MECHANICAL



Dimensions: mm
Unless otherwise specified, all tolerances are ± 0.25

SCHEMATICS

