

HVP-SERIES  
HIGH VOLTAGE RECTIFIER BLOCKS WITH  
MOUNTING SLOTS.

### Features

- Rectifier Blocks
- High Voltage
- Mounting
- Slots

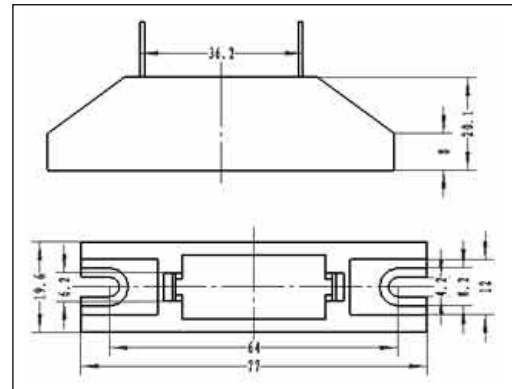
### Applications

- X light Power supply
- Laser
- Voltage doubler circuit
- Microwave emission power

### Maximum Ratings and Characteristics

- Absolute Maximum Ratings

### Outline Drawings : mm



### Cathode Mark

Type	Mark
HVP-8	

Items	Symbols	Condition	HVP-8	Units
Repetitive Peak Reverse Voltage	$V_{RRM}$		8	kV
Average Output Current	$I_o$	$T_a=25^{\circ}\text{C}$ , Resistive Load	750	mA
Surge Current	$I_{FSM}$		50	$A_{peak}$
Junction Temperature	$T_j$		155	$^{\circ}\text{C}$
Allowable Operation Case Temperature	$T_c$		125	$^{\circ}\text{C}$
Storage Temperature	$T_{stg}$		-40 to +155	$^{\circ}\text{C}$

- Electrical Characteristics ( $T_a=25^{\circ}\text{C}$  Unless otherwise specified)

Items	Symbols	Conditions	HVP-8	Units
Maximum Forward Voltage Drop	$V_F$	at $25^{\circ}\text{C}$ , $I_F=I_{F(AV)}$	9	V
Maximum Reverse Current	$I_{R1}$	at $25^{\circ}\text{C}$ , $V_R=V_{RRM}$	5.0	$\mu\text{A}$
	$I_{R2}$	at $100^{\circ}\text{C}$ , $V_R=V_{RRM}$	100	$\mu\text{A}$
Maximum Reverse Recovery Time	$T_{rr}$	at $25^{\circ}\text{C}$	---	nS
Junction Capacitance	$C_j$	at $25^{\circ}\text{C}$ , $V_R=0\text{V}$ , $f=1\text{MHz}$	---	pF