

POWER MANAGEMENT

Description

The SC4519H is a current mode switching regulator with an integrated switch, operating at 600kHz with separate sync and enable functions. The integrated switch allows for cost effective low power solutions (peak switch current 3 amps). The sync function allows customers to synchronize to a faster clock in order to avoid frequency beating in noise sensitive applications. High frequency of operation allows for very small passive components. Current mode operation allows for fast dynamic response and instantaneous duty cycle adjustment as the input varies (ideal for CPE applications where the input is a wall plug power).

The low shutdown current makes it ideal for portable applications where battery life is important.

The SC4519H is a 600kHz switching regulator synchronizable to a faster frequency from 750kHz to 1.2MHz.

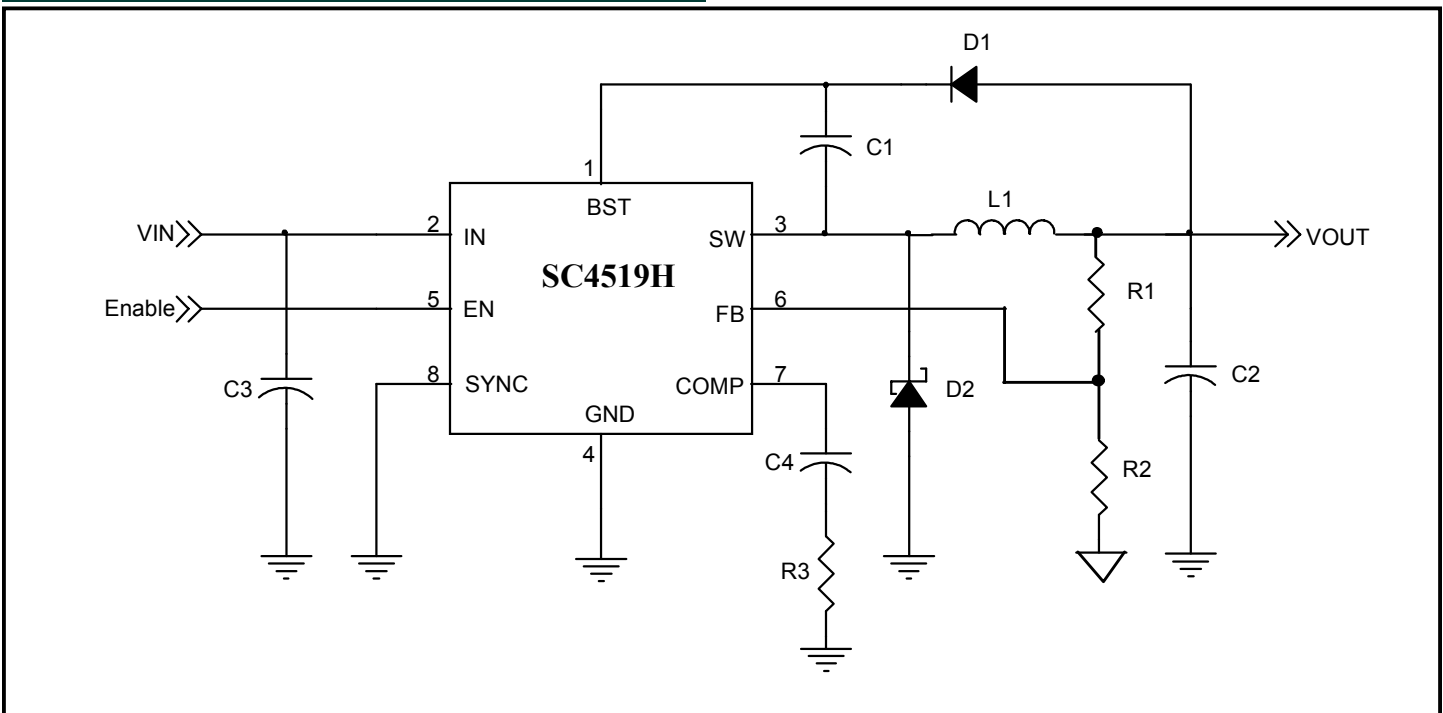
Features

- ◆ Integrated 3 Amp switch
- ◆ 600kHz frequency of operation
- ◆ Current mode controller
- ◆ Synchronizable to higher frequency up to 1.2MHz
- ◆ Precision enable threshold
- ◆ SO-8 EDP package. Lead free product, fully WEEE and RoHS compliant

Applications

- ◆ XDSL modems
- ◆ CPE equipment
- ◆ DC-DC point of load applications
- ◆ Portable equipment

Typical Application Circuit



POWER MANAGEMENT
Absolute Maximum Ratings

Exceeding the specifications below may result in permanent damage to the device, or device malfunction. Operation outside of the parameters specified in the Electrical Characteristics section is not implied. Exposure to Absolute Maximum rated conditions for extended periods of time may affect device reliability.

Parameter	Symbol	Limits	Units
Input Supply Voltage	V_{IN}	-0.3 to +28 ⁽¹⁾	V
Boost Pin Above V_{SW}	$(V_{BST} - V_{SW})$	16	V
Boost Pin Voltage	V_{BST}	-0.3 to +32	V
EN Pin Voltage	V_{EN}	-0.3 to +24	V
FB Pin Voltage	V_{FB}	-0.3 to +6	V
FB Pin Current	I_{FB}	1	mA
SYNC Pin Current	I_{SYNC}	1	mA
Thermal Impedance Junction to Ambient	θ_{JA}	36.5 ⁽²⁾	°C/W
Operating Ambient Temperature Range	T_A	-40 to +85	°C
Maximum Junction Temperature	T_J	+150	°C
Storage Temperature Range	T_{STG}	-65 to +150	°C
Lead Temperature (Soldering) 10 sec	T_{LEAD}	300	°C
ESD Rating (Human Body Model)	ESD	2	kV

Notes:

(1) For proper operation of device, V_{IN} should be within maximum Operating Input Voltage as defined in Electrical Characteristics.

(2) θ_{JA} is calculated from a package in still air, mounted to 3" x 4.5", 4 layer FR4 PCB with thermal vias under exposed pad per JE51 standards.

Electrical Characteristics

Unless specified: $V_{IN} = 12V$, $V_{COMP} = 0.8V$, $V_{BST} = V_{IN} + 5V$, EN = tied to V_{IN} , SYNC = 0, SW = open.
 $T_A = T_J = -40^\circ C$ to $125^\circ C$.

Parameter	Symbol	Conditions	Min	Typ	Max	Units
Operating Input Voltage	V_{IN}				24 ⁽¹⁾	V
Maximum Switch Current Limit	I_{SW}	$T_A = 25^\circ C$, D = 50%	3.5		5.5	A
Oscillator Frequency	f_{OSC}		500	600	700	kHz
Switch On Voltage Drop	$V_{D(SW)}$	$I_{SW} = 3A$		220		mV
V_{IN} Undervoltage Lockout	V_{UVLO}			3.9	4.4	V
V_{IN} UVLO Hysteresis				60		mV
V_{IN} Supply Current	I_Q	$V_{FB} = 1V$		3	5	mA
Standby Current	$I_{Q(OFF)}$	$V_{EN} = 0V$		100	150	μA

POWER MANAGEMENT
Electrical Characteristics (Cont.)

Unless specified: $V_{IN} = 12V$, $V_{COMP} = 0.8V$, $V_{BST} = V_{IN} + 5V$, EN = tied to V_{IN} , SYNC = 0, SW = open.
 $T_A = T_J = -40^{\circ}C$ to $125^{\circ}C$.

PARAMETER	SYMBOL	CONDITIONS	MIN	TYP	MAX	UNITS
FB Input Current	I_{FB}			-0.25	-1	μA
Feedback Voltage			0.784	0.8	0.816	V
Feedback Voltage Line Regulation		$4.4V < V_{IN} < 24V^{(2)}$		+3		mV/V
FB to V_{COMP} Voltage Gain ⁽³⁾		$0.9V \leq V_{COMP} \leq 2.0V$	150	350		V/V
FB to V_{COMP} Transconductance ⁽³⁾		$\Delta I_{COMP} = \pm 10\mu A$	500	850	1300	μMho
V_{COMP} Pin Source Current		$V_{FB} = 0.6V$		70	110	μA
V_{COMP} Pin Sink Current		$V_{FB} = 1.0V$		-70	-110	μA
V_{COMP} Pin to Switch Current Transconductance		$V_{COMP} = 1.25V$		5		A/V
V_{COMP} Pin Maximum Switching Threshold		Duty cycle = 0%		0.6		V
V_{COMP} OCP Threshold		V_{COMP} rising		2		V
V_{COMP} Hiccup Retry Threshold		V_{COMP} falling		0.25		V
Maximum Switch Duty Cycle		$V_{COMP} = 1.2V$, $I_{SW} = 400mA$	85			%
Minimum Boost Voltage Above Switch ⁽³⁾				2.7		V
Boost Current		$I_{SW} = 1A$		10	15	mA
		$I_{SW} = 3A$		30	45	

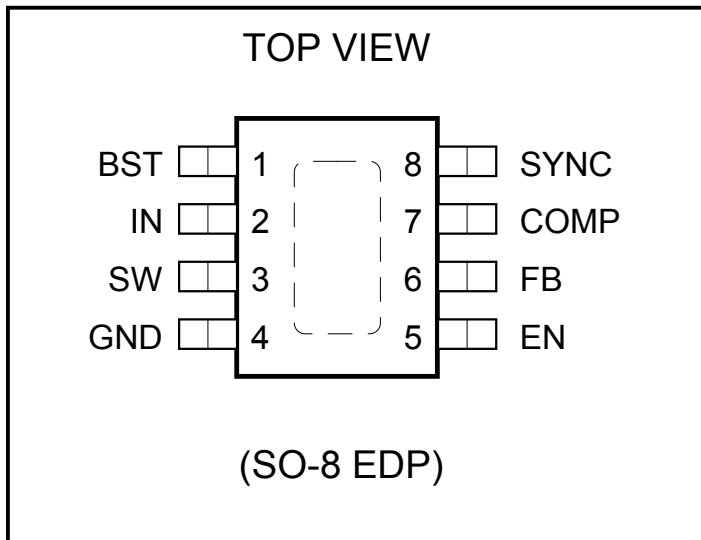
POWER MANAGEMENT
Electrical Characteristics (Cont.)

Unless specified: $V_{IN} = 12V$, $V_{COMP} = 0.8V$, $V_{BST} = V_{IN} + 5V$, EN = tied to V_{IN} , SYNC = 0, SW = open.
 $T_A = T_J = -40^{\circ}C$ to $125^{\circ}C$.

PARAMETER	SYMBOL	CONDITIONS	MIN	TYP	MAX	UNITS
Enable Input Threshold Voltage	V_{ETH}		1.1	1.27	1.5	V
Enable Output Bias Current	I_{EOL}	EN = 50mV below threshold		8		μA
	I_{EOH}	EN = 50mV above threshold		10		μA
SYNC Threshold Voltage				1.5		V
SYNC Input Frequency ⁽⁴⁾			800		1200	kHz
SYNC Pin Resistance		$V_{SYNC} = 0.5V$		20		k Ω

Notes:

- (1) The device may not function properly outside its operating input voltage range.
- (2) The required minimum input voltage for a regulated output depends on the output voltage and load condition.
- (3) Guaranteed by design.
- (4) Please contact factory for SYNC applications.

POWER MANAGEMENT
Pin Configurations

Ordering Information

Part Number ⁽¹⁾⁽²⁾	Package
SC4519HSETRT	SO-8 EDP
SC4519HEVB ⁽³⁾	EVALUATION BOARD

Notes:

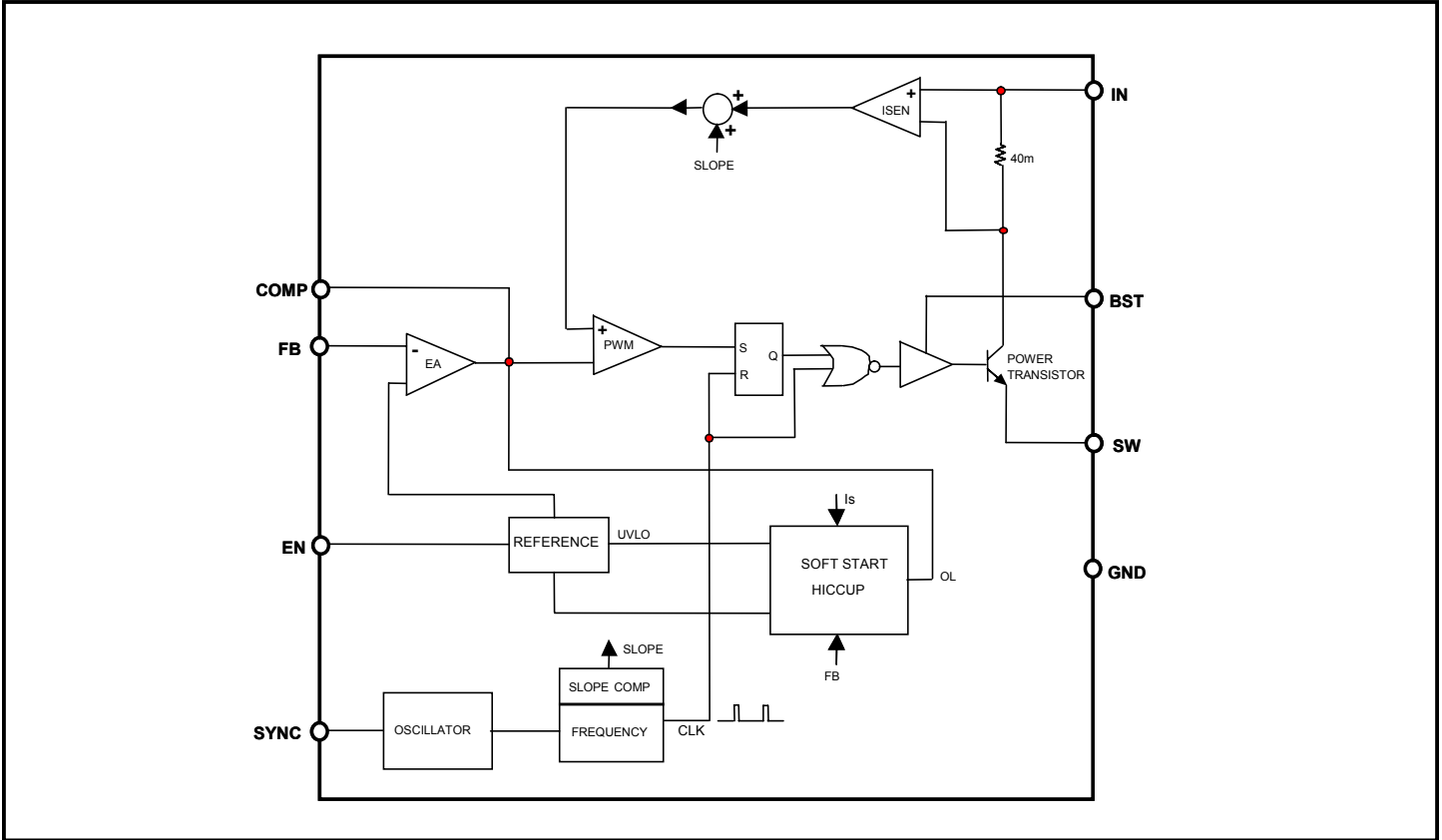
- (1) Only available in tape and reel packaging. A reel contains 2500 devices.
- (2) Lead free product. This product is WEEE and RoHS compliant.
- (3) Consult factory for all other available options.

Pin Descriptions

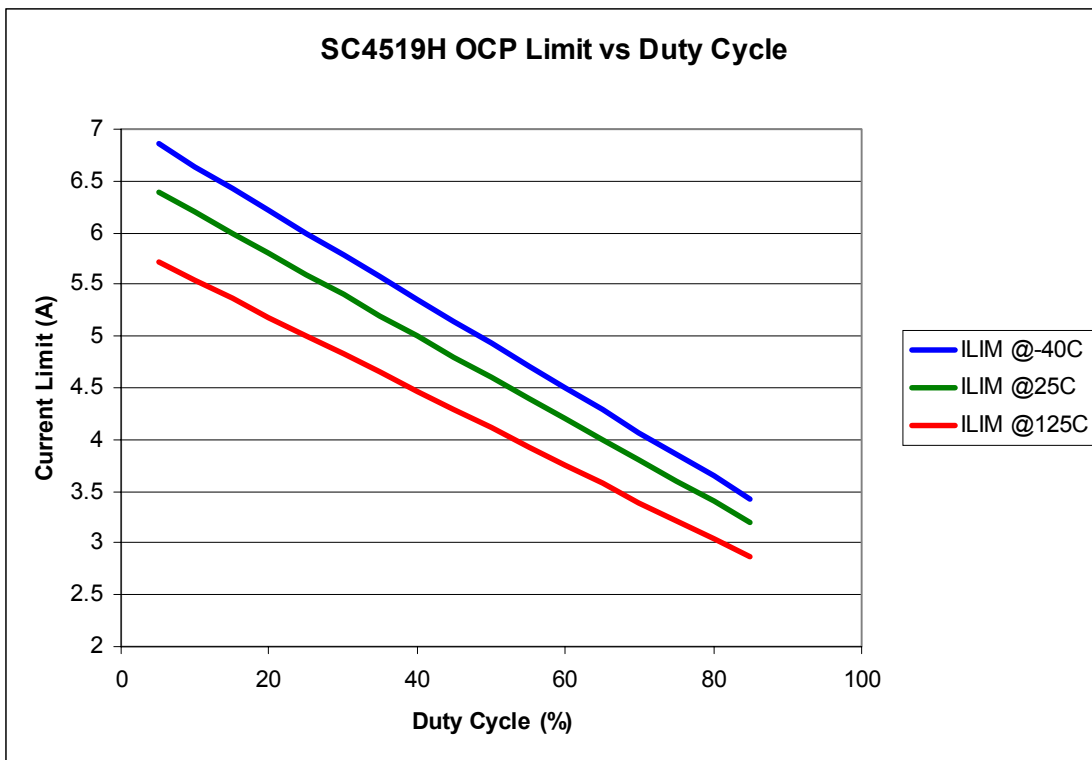
Pin #	Pin Name	Pin Function
1	BST	This pin provides power to the internal NPN switch. The minimum turn on voltage for this switch is 2.7V.
2	IN	Pin IN delivers all power required by control and power circuitry. This pin sees high di/dt during switching. A decoupling capacitor should be attached to this pin as close as possible.
3	SW	Pin SW is the emitter of the internal switch. The external freewheeling diode should be connected as close as possible to this pin.
4	GND	All voltages are measured with respect to this pin. The decoupling capacitor and the freewheeling diode should be connected to GND as short as possible.
5	EN	This is the chip enable input. The regulator is switched on if EN is high, and it is off if EN is low. The regulator is in standby mode when EN is low, and the input supply current is reduced to a few microamperes.
6	FB	Feedback input for adjustable output controllers.
7	COMP	This is the output of the internal error amplifier and input of the peak current comparator. A compensation network is connected to this pin to achieve the specified performance.
8	SYNC	This is synchronous control pin used to synchronize the internal oscillator to an external pulse control signal. When not used, it should be connected to GND.
-	THERMAL PAD	Pad for heatsinking purposes. Connect to ground plane using multiple vias. Not connected internally.

POWER MANAGEMENT

Block Diagram



Typical Characteristic - OCP Limit



POWER MANAGEMENT
Application Information

The SC4519H is a current mode buck converter regulator. SC4519H has an internal fixed-frequency clock. The SC4519H uses two feedback loops that control the duty cycle of the internal power switch. The error amplifier functions like that of the voltage mode converter. The output of the error amplifier works as a switch current reference. This technique effectively removes one of the double poles in the voltage mode system. With this, it is much simpler to compensate a current mode converter to have better performance. The current sense amplifier in the SC4519H monitors the switch current during each cycle. Overcurrent protection (OCP) is triggered when the current limit exceeds the upper limit of 3A, detected by a voltage on COMP greater than about 2V. When an OCP fault is detected, the switch is turned off and the external COMP capacitor is discharged at the rate of $dv/dt = 3\mu A/C_{comp}$. Once the COMP voltage has fallen below 250mV, the part enters a normal startup cycle. C_{comp} is the total capacitance value attached to COMP. In the case of sustained overcurrent or dead-short, the part will continually cycle through the retry sequence as described above, at a rate dependent on the value of Ccomp. During start up, the voltage on COMP rises roughly at the rate of $dv/dt = 120\mu A/C_{comp}$. Therefore, the retry time for a sustained overcurrent can be approximately calculated as:

$$T_{retry} = C_{comp} \cdot \frac{2V}{120\mu A} + C_{comp} \cdot \frac{2V}{3\mu A}$$

Figure 1 shows the voltage on COMP during a sustained overcurrent condition.

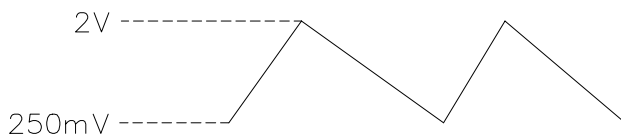


Figure 1. Voltage on COMP for Startup and OCP

Enable

Pulling and holding the EN pin below 0.4V activates the shut down mode of the SC4519H which reduces the input supply current to less than 150μA. During the shut down mode, the switch is turned off. The SC4519H is turned on if the EN pin is pulled high.

Oscillator

Its internal free running oscillator sets the PWM frequency at 600kHz for the SC4519H without any external components to program the frequency. An external clock with a duty cycle from 20% to 80% connected to the SYNC pin activates synchronous mode. The frequency of the external clock can be from 700kHz to 1.2MHz.

UVLO

When the EN pin is pulled and held above 1.8V, the voltage on Pin IN determines the operation of the SC4519H. As V_{IN} increases during power up, the internal circuit senses V_{IN} and keeps the power transistor off until V_{IN} reaches 4.4V.

Load Current

The peak current I_{PEAK} in the switch is internally limited. For a specific application, the allowed load current I_{OMAX} will change if the input voltage drifts away from the original design as given for continuous current mode:

$$I_{OMAX} = 3 - \frac{V_o \cdot (1-D)}{2 \cdot L \cdot f_s}$$

Where:

f_s = switching frequency,

V_o = output voltage and

D = duty ratio, V_o/V_i

V_i = input voltage.

Figure 2 shows the theoretical maximum load current for the specific cases. In a real application, however, the allowed maximum load current also depends on the layout and the air cooling condition. Therefore, the maximum load current may need to be derated according to the thermal situation of the application.

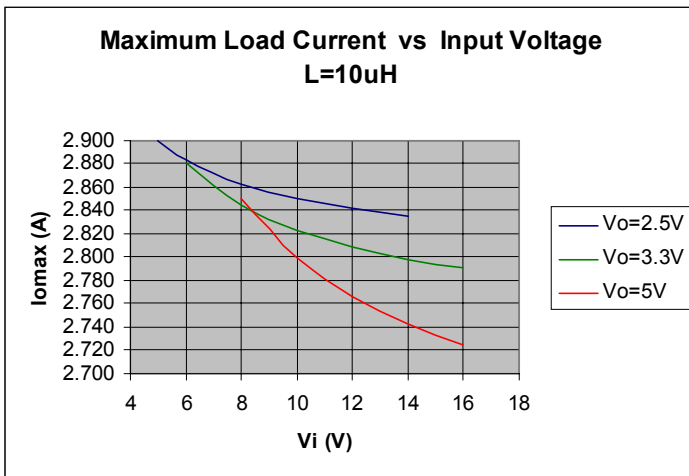
POWER MANAGEMENT
Application Information (Cont.)


Figure 2. Theoretical maximum load current curves

Inductor Selection

The factors for selecting the inductor include its cost, efficiency, size and EMI. For a typical SC4519H application, the inductor selection is mainly based on its value, saturation current and DC resistance. Increasing the inductor value will decrease the ripple level of the output voltage while the output transient response will be degraded. Low value inductors offer small size and fast transient responses while they allow large ripple currents, poor efficiencies and require more output capacitance for low output ripple. The inductor should be able to handle the peak current without saturating and its copper resistance in the winding should be as low as possible to minimize its resistive power loss. A good trade-off among its size, loss and cost is to set the inductor ripple current to be within 15% to 30% of the maximum output current.

The inductor value can be determined according to its operating point under its continuous mode and the switching frequency as follows:

$$L = \frac{V_o \cdot (V_i - V_o)}{V_i \cdot f_s \cdot \delta \cdot I_{OMAX}}$$

Where:

f_s = switching frequency,

δ = ratio of the peak to peak inductor current to the output load current and

V_o = output voltage.

The peak to peak inductor current is:

$$I_{p-p} = \delta \cdot I_{OMAX}$$

After the required inductor value is selected, the proper selection of the core material is based on the peak inductor current and efficiency specifications. The core must be able to handle the peak inductor current I_{PEAK} without saturation and produce low core loss during the high frequency operation.

$$I_{PEAK} = I_{OMAX} + \frac{I_{p-p}}{2}$$

The power loss for the inductor includes its core loss and copper loss. If possible, the winding resistance should be minimized to reduce inductor's copper loss. The core must be able to handle the peak inductor current I_{PEAK} without saturation and produce low core loss during the high frequency operation. The core loss can be found in the manufacturer's datasheet. The inductor's copper loss can be estimated as follows:

$$P_{COPPER} = I_{LRMS}^2 \cdot R_{WINDING}$$

Where:

I_{LRMS} is the RMS current in the inductor. This current can be calculated as follows:

$$I_{LRMS} = I_{OMAX} \cdot \sqrt{1 + \frac{1}{12} \cdot \delta^2}$$

Output Capacitor Selection

Basically there are two major factors to consider in selecting the type and quantity of the output capacitors. The first one is the required ESR (Equivalent Series Resistance) which should be low enough to reduce the output voltage deviation during load changes. The second one is the required capacitance, which should be high enough to hold up the output voltage. Before the SC4519H regulates the inductor current to a new value during a load transient, the output capacitor delivers all the additional current needed by the load. The ESR and ESL of the output capacitor, the loop parasitic inductance between the output capacitor and the load combined with inductor ripple current are all major contributors to the output voltage ripple. Surface mount ceramic capacitors are recommended.

Input Capacitor Selection

The input capacitor selection is based on its ripple current level, required capacitance and voltage rating. This

POWER MANAGEMENT
Application Information (Cont.)

capacitor must be able to provide the ripple current drawn by the converter. For the continuous conduction mode, the RMS value of the input capacitor current $I_{CIN(RMS)}$ can be calculated from:

$$I_{CIN(RMS)} = I_{OMAX} \cdot \sqrt{\frac{V_O \cdot (V_I - V_O)}{V^2_I}}$$

This current gives the capacitor's power loss through its $R_{CIN(ESR)}$ as follows:

$$P_{CIN} = I_{CIN(RMS)}^2 \cdot R_{CIN(ESR)}$$

The input ripple voltage mainly depends on the input capacitor's ESR and its capacitance for a given load, input voltage and output voltage. Assuming that the input current of the converter is constant, the required input capacitance for a given voltage ripple can be calculated by:

$$C_{IN} = I_{OMAX} \cdot \frac{D \cdot (1-D)}{f_s \cdot (\Delta V_I - I_{OMAX} \cdot R_{CIN(ESR)})}$$

Where:

ΔV_I = the given input voltage ripple.

Because the input capacitor is exposed to the large surge current, attention is needed for the input capacitor. If tantalum capacitors are used at the input side of the converter, one needs to ensure that the RMS and surge ratings are not exceeded. For generic tantalum capacitors, it is suggested to derate their voltage ratings at a ratio of about two to protect these input capacitors.

Boost Capacitor and its Supply Source Selection

The boost capacitor selection is based on its discharge ripple voltage, worst case conduction time and boost current. The worst case conduction time T_w can be estimated as follows:

$$T_w = \frac{1}{f_s} \cdot D_{max}$$

Where:

f_s = the switching frequency and

D_{max} = maximum duty ratio, 0.85 for the SC4519H.

The required minimum capacitance for the boost capacitor will be:

$$C_{boost} = \frac{I_B}{V_D} \cdot T_w$$

Where:

I_B = the boost current and

V_D = discharge ripple voltage.

With $f_s = 600kHz$, $V_D = 0.5V$ and $I_B = 0.045A$, the required minimum capacitance for the boost capacitor is:

$$C_{boost} = \frac{I_B}{V_D} \cdot \frac{1}{f_s} \cdot D_{max} = \frac{0.045}{0.5} \cdot \frac{1}{600k} \cdot 0.85 = 128nF$$

The internal driver of the switch requires a minimum 2.7V to fully turn on that switch to reduce its conduction loss. If the output voltage is less than 2.7V, the boost capacitor can be connected to either the input side or an independent supply with a decoupling capacitor. But the Pin BST should not see a voltage higher than its maximum rating.

Freewheeling Diode Selection

This diode conducts during the switch's off-time. The diode should have enough current capability for full load and short circuit conditions without any thermal concerns. Its maximum repetitive reverse block voltage has to be higher than the input voltage of the SC4519H. A low forward conduction drop is also required to increase the overall efficiency. The freewheeling diode should be turned on and off fast with minimum reverse recovery because the SC4519H is designed for high frequency applications. SS23 Schottky rectifier is recommended for certain applications. The average current of the diode, I_{D-AVG} can be calculated by:

$$I_{D-AVG} = I_{omax} \cdot (1-D)$$

Thermal Considerations

There are three major power dissipation sources for the SC4519H. The internal switch conduction loss, its switching loss due to the high frequency switching actions and the base drive boost circuit loss. These losses can be estimated as:

$$P_{total} = I_o^2 \cdot R_{on} \cdot D + 10.8 \cdot 10^{-3} \cdot I_o \cdot V_I + \frac{10}{1000} \cdot I_o \cdot D \cdot (V_{boost})$$

Where:

I_o = load current;

R_{on} = on-equivalent resistance of the switch;

V_{BOOST} = input voltage or output based on the boost circuit connection.

POWER MANAGEMENT
Application Information (Cont.)

The junction temperature of the SC4519H can be further determined by:

$$T_J = T_A + \theta_{JA} \cdot P_{total}$$

θ_{JA} is the thermal resistance from junction to ambient. Its value is a function of the IC package, the application layout and the air cooling system.

The freewheeling diode also contributes a significant portion of the total converter loss. This loss should be minimized to increase the converter efficiency by using Schottky diodes with low forward drop (V_F).

$$P_{diode} = V_F \cdot I_o \cdot (1-D)$$

Loop Compensation Design

The SC4519H has an internal error amplifier and requires a compensation network to connect between the COMP pin and GND pin as shown in Figure 3. The compensation network includes C4, C5 and R3. R1 and R2 are used to program the output voltage according to:

$$V_O = 0.8 \cdot \left(1 + \frac{R_1}{R_2}\right)$$

Assuming the power stage ESR (equivalent series resistance) zero is an order of magnitude higher than the closed loop bandwidth, which is typically one tenth of the switching frequency, the power stage control to output transfer function with the current loop closed (Ridley model) for the SC4519H will be as follows:

$$G_{VD}(s) = \frac{5 \cdot R_L}{1 + \frac{s}{R_L \cdot C}}$$

Where:

R_L - Load and

C - Output capacitor.

The goal of the compensation design is to shape the loop to have a high DC gain, high bandwidth, enough phase margin, and high attenuation for high frequency noises. Figure 3 gives a typical compensation network which offers 2 poles and 1 zero to the power stage:

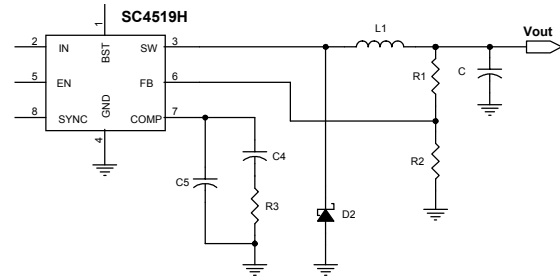


Figure 3. Compensation network provides 2 poles and 1 zero.

The compensation network gives the following characteristics:

$$G_{COMP}(s) = \omega_1 \cdot \frac{1 + \frac{s}{\omega_Z}}{s \cdot \left(1 + \frac{s}{\omega_{P2}}\right)} \cdot g_m \cdot \frac{R_2}{R_1 + R_2}$$

Where:

$$\omega_1 = \frac{1}{C_4 + C_5}$$

$$\omega_Z = \frac{1}{R_3 \cdot C_4}$$

$$\omega_{P2} = \frac{C_4 + C_5}{R_3 \cdot C_4 \cdot C_5}$$

The loop gain will be given by:

$$T(s) = G_{COMP}(s) \cdot G_{VD}(s) = 4.25 \cdot 10^{-3} \cdot \frac{R_L}{C_4} \cdot \frac{R_2}{R_1 + R_2} \cdot \frac{1}{s} \cdot \frac{1 + \frac{s}{\omega_Z}}{\left(1 + \frac{s}{\omega_{P1}}\right) \cdot \left(1 + \frac{s}{\omega_{P2}}\right)}$$

Where:

$$\omega_{P1} = \frac{1}{R_L \cdot C}$$

One integrator is added at origin to increase the DC gain. ω_Z is used to cancel the power stage pole ω_{P1} so that the loop gain has -20dB/dec rate when it reaches 0dB line. ω_{P2} is placed at half switching frequency to reject high frequency switching noises. Figure 4 gives the asymptotic diagrams of the power stage with current loop closed and its loop gain.

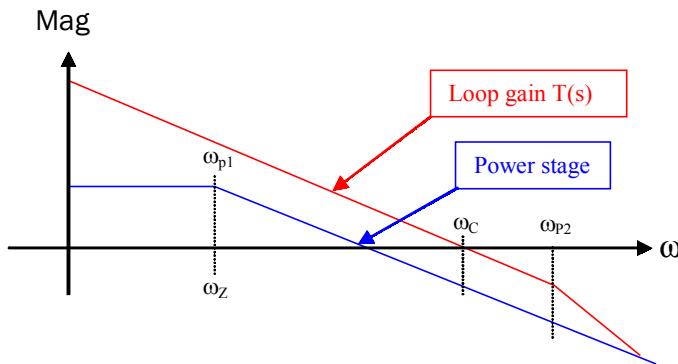
POWER MANAGEMENT
Application Information (Cont.)


Figure 4. Asymptotic diagrams of power stage with current loop closed and its loop gain.

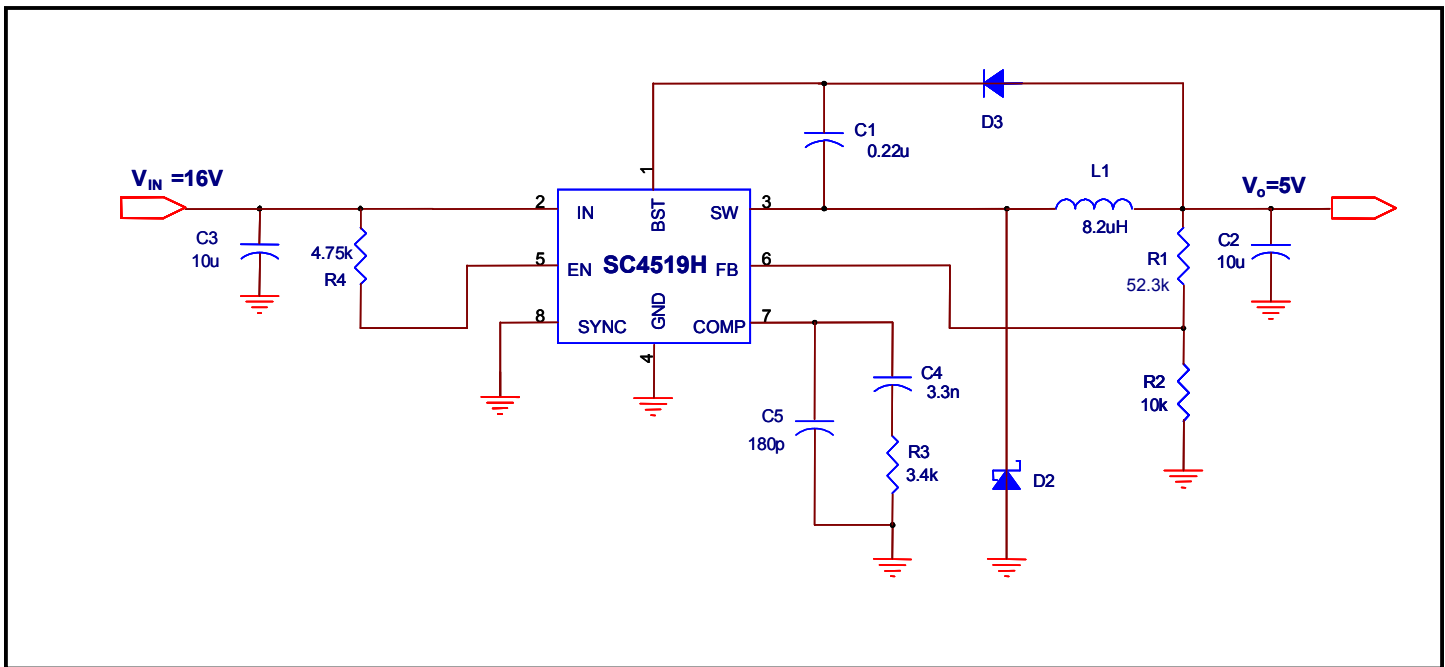
The design guidelines for the SC4519H applications are as following:

1. Set the loop gain crossover corner frequency ω_c for given switching corner frequency $\omega_c = 2\pi f_c$
2. Place an integrator at the origin to increase DC and low frequency gains.
3. Select ω_z such that it is placed at ω_{p1} to obtain a -20dB/dec rate to go across the 0dB line.
4. Place a high frequency compensator pole ω_{p2} ($\omega_{p2} = \pi f_s$) to get the maximum attenuation of the switching ripple and high frequency noise with the adequate phase lag at ω_c .

Layout Guidelines:

In order to achieve optimal electrical and thermal performance for high frequency converters, special attention must be paid to the PCB layouts. The goal of layout optimization is to identify the high di/dt loops and minimize them. The following guidelines should be used to ensure proper operation of the converters.

1. A ground plane is suggested to minimize switching noises and trace losses and maximize heat transferring.
2. Start the PCB layout by placing the power components first. Arrange the power circuit to achieve a clean power flow route. Put all power connections on one side of the PCB with wide copper filled areas if possible.
3. The V_{IN} bypass capacitor should be placed next to the V_{IN} and GND pins.
4. The trace connecting the feedback resistors to the output should be short, direct and far away from any noise sources such as switching node and switching components.
5. Minimize the loop including input capacitor, the SC4519H and freewheeling diode D_2 . This loop passes high di/dt current. Make sure the trace width is wide enough to reduce copper losses in this loop.
6. Maximize the trace width of the loop connecting the inductor, freewheeling diode D_2 and the output capacitor.
7. Connect the ground of the feedback divider and the compensation components directly to the GND pin of the SC4519H by using a separate ground trace.
8. Connect Pin 4 to a large copper area to remove the IC heat and increase the power capability of the SC4519H. A few feedthrough holes are required to connect this large copper area to a ground plane to further improve the thermal environment of the SC4519H. The traces attached to other pins should be as wide as possible for the same purpose.

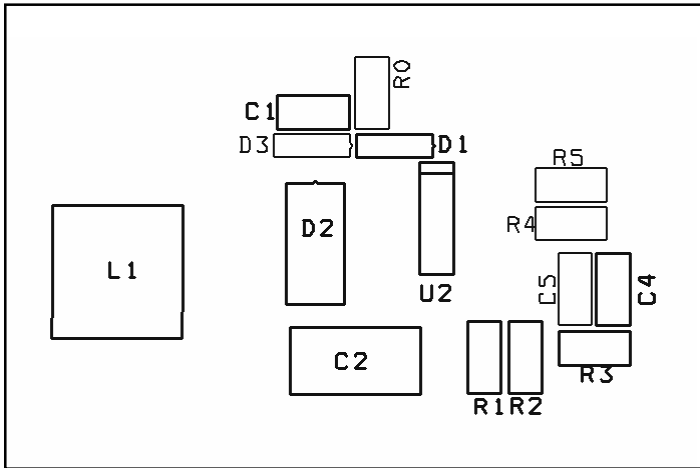
POWER MANAGEMENT
Application Information (Cont.)
Design Example: 16V to 5V at 2A

Bill of Materials

Item	Qty	Reference	Value	Part No./Manufacturer
1	1	C1	0.22uF, 25V, 0805, X7R	Vishay
2	2	C2, C3	10u, 1210, X5R, 25V	Panasonic
3	1	C4	3.3n, 0805, X7R, 25V	Vishay
4	1	C5	180pF	
5	1	D1	1N4148WS, SOD-323	
6	1	D2	SS33	Fairchild P/N: SS33
7	1	L1	8.2uH	COOPER P/N:DR125-8R2
8	1	R1	52.3K	
9	1	R2	10k	
10	1	R3	3.4k	
11	1	R4	4.75k	
12	1	U1	SC4519H	Semtech

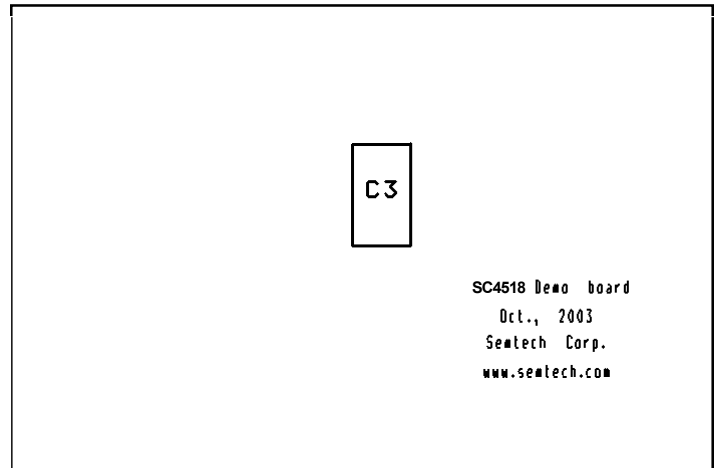
Unless specified, all resistors have 1% precision with 0603 package.
Resistors are +/-1% and all capacitors are +/-20%

POWER MANAGEMENT
Application Information (Cont.)

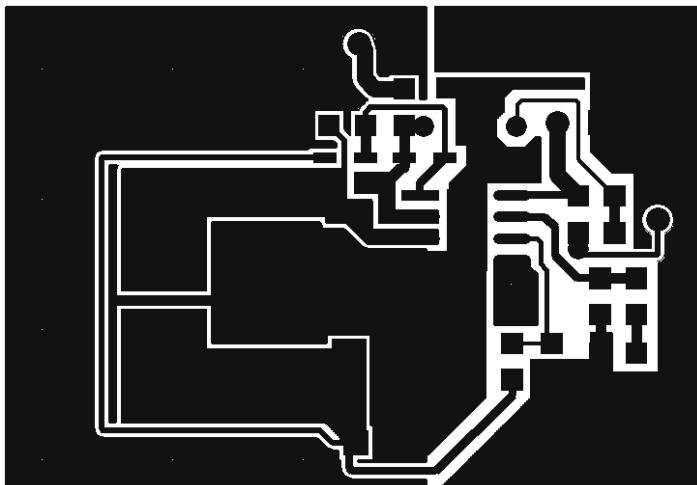
(COMPONENT - TOP)



(COMPONENT - BOTTOM)



(PCB - TOP)



(PCB - BOTTOM)

