

PLEASE CHECK WWW.MOLEX.COM FOR LATEST PART INFORMATION

Part Number: [0855105027](#)
Status: **Active**
Overview: [modular_plugs_jacks](#)
Description: Modular Jack, Vertical, SMT, 6/6, Solder Tabs

Documents:

[3D Model](#) [RoHS Certificate of Compliance \(PDF\)](#)
[Drawing \(PDF\)](#)

Agency Certification

UL E107635

General

Product Family Modular Jacks/Plugs
 Series [85510](#)
 Comments Small Panel Cutout
 Component Type PCB Jack
 Magnetic No
 Overview [modular_plugs_jacks](#)
 Performance Category 3
 Power over Ethernet (PoE) N/A
 Product Name RJ11

Physical

Boot Color N/A
 Color - Resin Black
 Durability (mating cycles max) 1,000
 Flammability 94V-0
 Inverted / Top Latch No
 Lightpipes/LEDs None
 Material - Metal Brass
 Material - Plating Mating Gold
 Material - Plating Termination Tin
 Material - Resin High Temperature Thermoplastic
 Orientation Vertical (Top Entry)
 PCB Locator No
 PCB Retention Yes
 Packaging Type Embossed Tape on Reel
 Pitch - Mating Interface (in) 0.040 In
 Pitch - Mating Interface (mm) 1.02 mm
 Pitch - Term. Interface (in) 0.050 In
 Pitch - Term. Interface (mm) 1.27 mm
 Plating min: Mating (µin) 120.00, 50.8
 Plating min: Mating (µm) 1.27, 3.000
 Plating min: Termination (µin) 120.00, 76
 Plating min: Termination (µm) 1.9, 3.00
 Ports 1
 Positions / Loaded Contacts 6/6
 Surface Mount Compatible (SMC) Yes
 Temperature Range - Operating -40°C to +80°C
 Termination Interface: Style Surface Mount
 Waterproof / Dustproof No
 Wire/Cable Type N/A

Electrical

Current - Maximum per Contact 1.5A

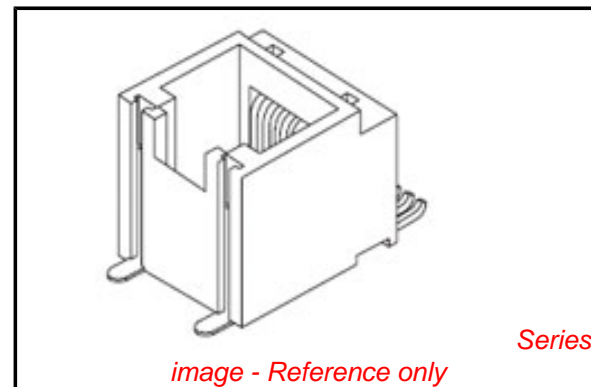


image - Reference only

EU RoHS

**ELV and RoHS
 Compliant
 REACH SVHC
 Contains SVHC: No
 Halogen-Free
 Status**

China RoHS



**Need more information on product
 environmental compliance?**

Email productcompliance@molex.com
 For a multiple part number RoHS Certificate of
 Compliance, [click here](#)

Please visit the [Contact Us](#) section for any
 non-product compliance questions.

Search Parts in this Series

[85510Series](#)

Mates With

FCC 68 Plugs

Shielded	No
Voltage - Maximum	125V DC

Solder Process Data

Duration at Max. Process Temperature (seconds)	40
Lead-free Process Capability	Reflow Capable (SMT only)
Max. Cycles at Max. Process Temperature	3
Process Temperature max. C	260

Material Info

Reference - Drawing Numbers

Application Specification	AS-85513-001
Packaging Specification	PK-85510
Sales Drawing	SD-85510-002

This document was generated on 06/07/2010

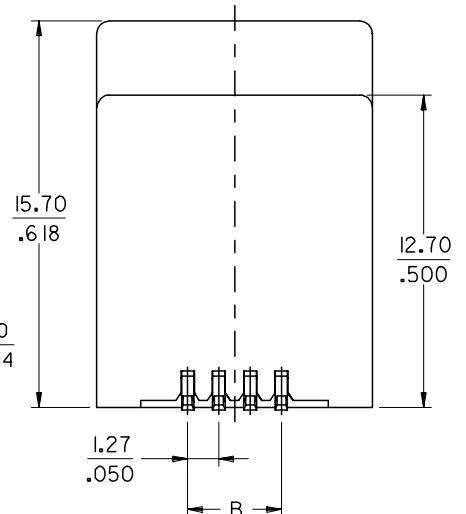
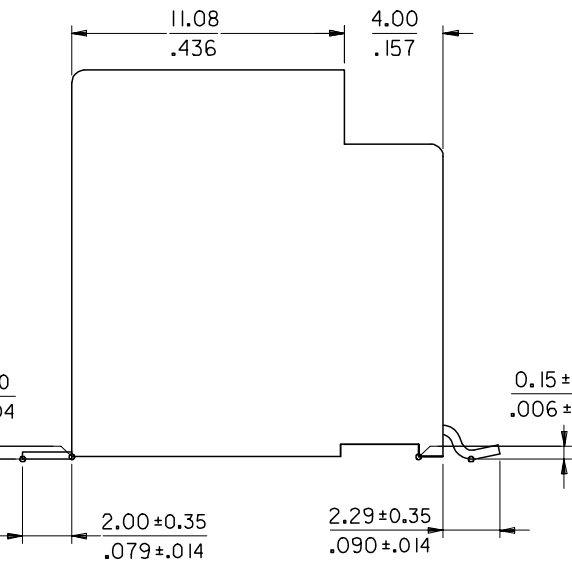
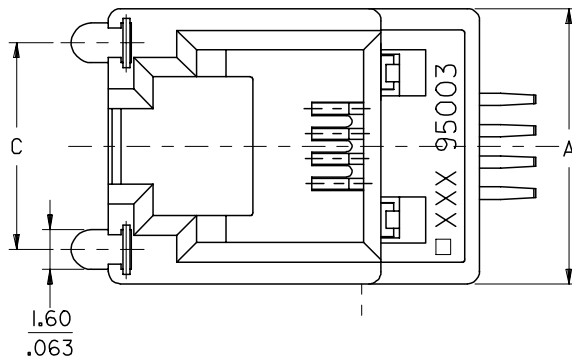
PLEASE CHECK WWW.MOLEX.COM FOR LATEST PART INFORMATION

10 9 8 7 6 5 4 3 2 1

PART. NO.	HOUSING SIZE	LOADED CKTS	TOOLED	PACKAGING	A	B ±0.15 ±.006	C
85510-5003	8	8	YES	TAPE			
85510-5020	8	8	YES	BLISTER ON REEL 13"	15.24 .600	8.89 .350	10.77 .424
85510-5028	8	8	YES	BLISTER ON REEL 22"			
85510-5005	6	6	YES	TAPE			
85510-5019	6	6	YES	BLISTER ON REEL 13"	13.21 .520	6.35 .250	9.95 .392
85510-5027	6	6	YES	BLISTER ON REEL 22"			
85510-5013	6	4	NO	TAPE			
85510-5018	6	4	NO	BLISTER ON REEL 13"	13.21 .520	3.81 .150	9.95 .392
85510-5026	6	4	YES	BLISTER ON REEL 22"			
85510-5007	4	4	YES	TAPE			
85510-5017	4	4	YES	BLISTER ON REEL 13"	11.18 .440	3.81 .150	8.40 .331
85510-5025	4	4	YES	BLISTER ON REEL 22"			

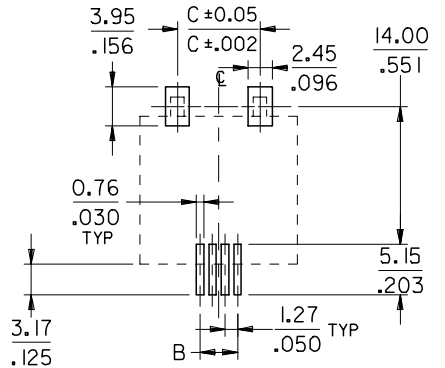
NOTES:

- 1- MATERIAL:
 - HOUSING: LCP FIBER GLASS FILLED UL 94-V0, COLOR BLACK.
 - TERMINAL: BRASS PLATED WITH: 0.00127/.000050 MIN. GOLD IN CONTACT AREA, 0.00190/.000075 MIN PURE TIN IN TAIL AREA, BOTH OVER 0.00127/.000050 MIN NICKEL OVERALL.
 - SOLDER NAILS: BRASS PRE-PLATED WITH 0.0020/.000078 MIN TIN
- 2- JACK FOR MATING WITH F.C.C.68 PLUGS (MOLEX 95075 SERIES).
- 3- PRODUCT SPECIFICATION PS-95503-001.
- 4- APPLICATION SPECIFICATION: AS-85513-001
- 5- PACKAGING SPECIFICATION: PK-85510 SHEET 1 (TAPE ON REEL) SHEET 2 (BLISTER ON REEL 13") SHEET 3 (BLISTER ON REEL 22")
- 6- COPLANARITY OF SIGNAL LEADS: 0.10 MAX
- 7- MANUFACTURING I.D CAN BE EITHER MG, MXF OR MXL.



PCB MOUNTING PATTERNS

(SEE FROM COMPONENT SIDE)
(SCALE 2:1)



(ONLY 4/4 VERSION PADS SHOWN)

CORRECTED TERM MATL EC NO: E2008-0031 DRWN:DBYRNES CHKD: APPR:EDMAMONY	DESCRIPTION 2007/07/23 2007/07/23 2007/07/26	QUALITY SYMBOLS ▽=0 ∇=0	GENERAL TOLERANCES (UNLESS SPECIFIED)		DIMENSION STYLE MM/IN		SCALE 5:1	DESIGN UNITS METRIC	THIRD ANGLE PROJECTION	
			mm	INCH	DRAWN BY FB	DATE 95/11/21	TITLE TOP ENTRY SMT JACKS 4/4 6/6 AND 8/8 POS. WITH SOLDER NAILS			
REV B	REV	DESCRIPTION	4 PLACES ± --- ± ---	3 PLACES ± --- ± .006	2 PLACES ± 0.15 ± .010	1 PLACE ± 0.25 ± ---	APPROVED BY FB	DATE 95/11/21	MOLEX INCORPORATED	
			ANGULAR ± 2 °		DRAFT WHERE APPLICABLE MUST REMAIN WITHIN DIMENSIONS		SEE CHART		DOCUMENT NO. SD-85510-002	SHEET NO. 1 OF 1

9 8 7 6 5 4 3 2 1