

**NOTES:** UNLESS OTHERWISE SPECIFIED:

1. WIN. EL., CATALOG NO & DATE CODE IN CONTRASTING COLOR LOCATED APPROXIMATELY AS SHOWN.

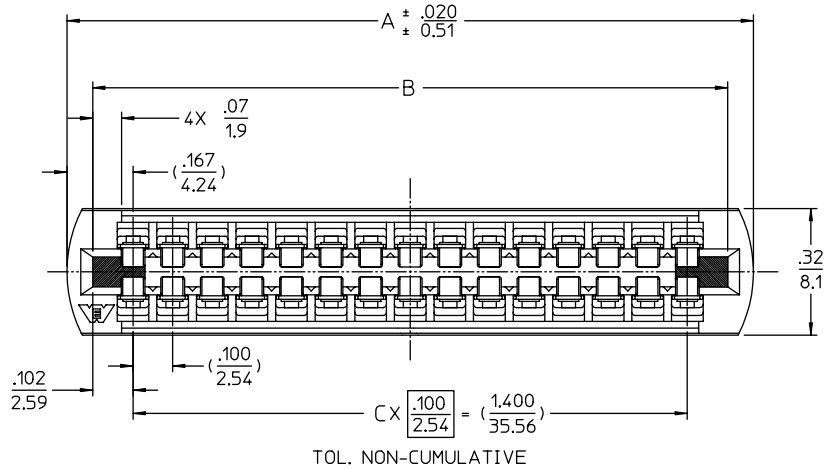
**SPECIFICATIONS**

**MATERIALS**

- ① Insulator \_\_\_\_\_ Glass filled Polyester Thermoplastic, UL Rated 94 V-0, Color: Natural
- ② Contact \_\_\_\_\_ Copper Nickel Tin Alloy #725, Finish: See Below

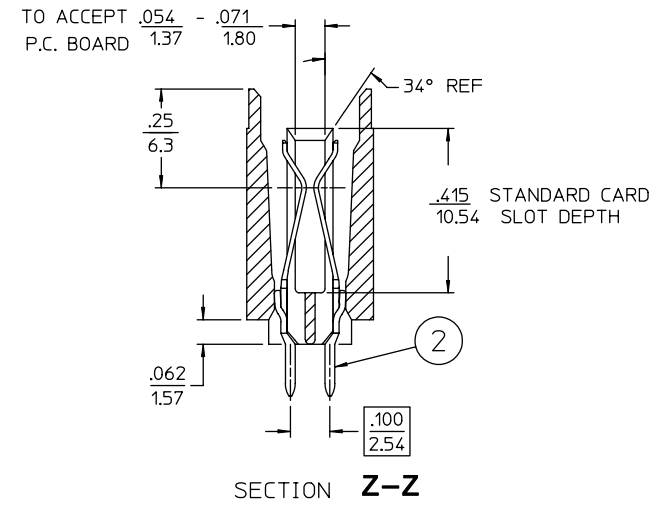
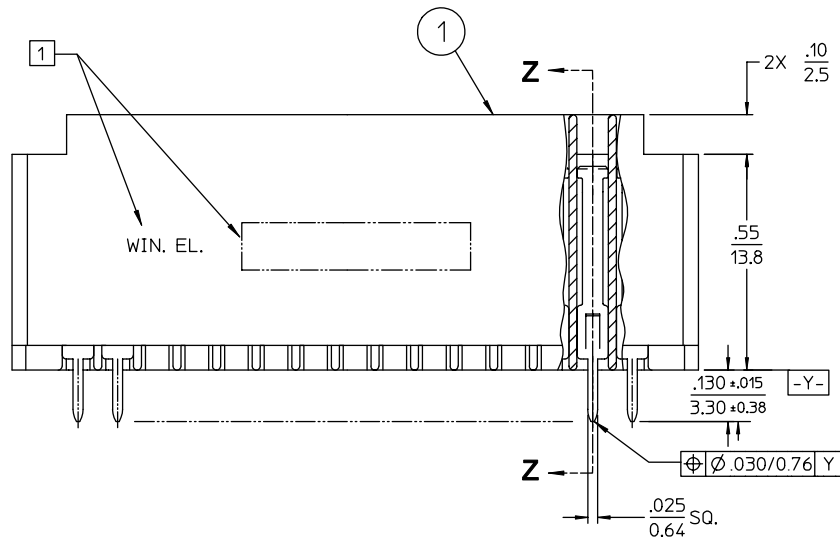
REV	DESCRIPTION	BY DATE	APPD
E	REVISED PER ECR-EWR1324	CMB 09/08/06	CMB

CATALOG No.	CONTACT AREA	SOLDERTAIL
NJ**A197925360	.000030 .00076 MIN GOLD OVER .000050 MICROINCHES MIN .00127 NICKEL UNDERPLATE	.000050 MIN TIN-LEAD 0.00127
NJ**A191925538	.000030 .00076 MIN GOLD OVER .000050 MICROINCHES MIN .00127 NICKEL UNDERPLATE	.000020 PURE TIN 0.00060 (RoHS)



**PERFORMANCE CHARACTERISTICS**

- Contact resistance \_\_\_\_\_ 11 milliohms max.
- Insulation resistance \_\_\_\_\_ 5,000 megohms min.
- Current rating \_\_\_\_\_ 1 amp @ 70° C, 3 amps @ 20° C
- Operating temperature range \_\_\_\_\_ -55° C to +105° C
- Daughtercard \_\_\_\_\_ .054 " to .071 "
- Maximum insertion force ( upper beam ) \_\_\_\_\_ 16 oz. per opposing pair
- Maximum withdrawal force ( upper beam ) \_\_\_\_\_ 1 oz. per opposing pair



CATALOG NO NJ15A191925360 SHOWN

CATALOG No.	A	B	C
NJ15A191925360	1.734/44.04	1.604/40.74	14
NJ25A191925360	2.734/69.44	2.562/65.07	24
NJ15A197925538	1.734/44.04	1.604/40.74	14
NJ25A197925538	2.734/69.44	2.562/65.07	24

PER ANSI Y14.5M-1982  
UNLESS OTHERWISE SPECIFIED:  
DIMENSIONS ARE IN INCHES.  
TOLERANCES \_\_\_\_\_ MM OR INCHES / MM

DECIMALS .XX ± .02  
XXX ± .007  
ANGLES = 2°

SCALE: 4:1

**CUSTOMER DRAWING**

DRAWN: C.W.B. 10/24/97 DATE CHECKED: W.P.M. 10/27/97  
APPROVED: L.A.W. 10/28/97 DATE APPROVED: B.BEADLE 10/28/97

**Winchester Electronics**  
Winchester Electronics Corporation  
62 Barnes Industrial Road North  
Wallingford, Connecticut 06492

TITLE: EDGE CARD CONNECTOR, NJ SERIES (SOLDERTAIL) CONTINUOUS CARD COLLECTOR

REV. C SHT. 1 OF 1 E

29280

June 2006 - This drawing became the property of Winchester Electronics Corporation, Wallingford, CT.