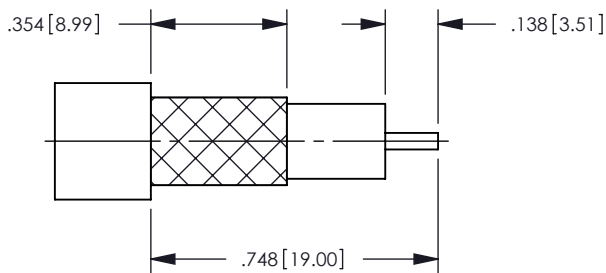
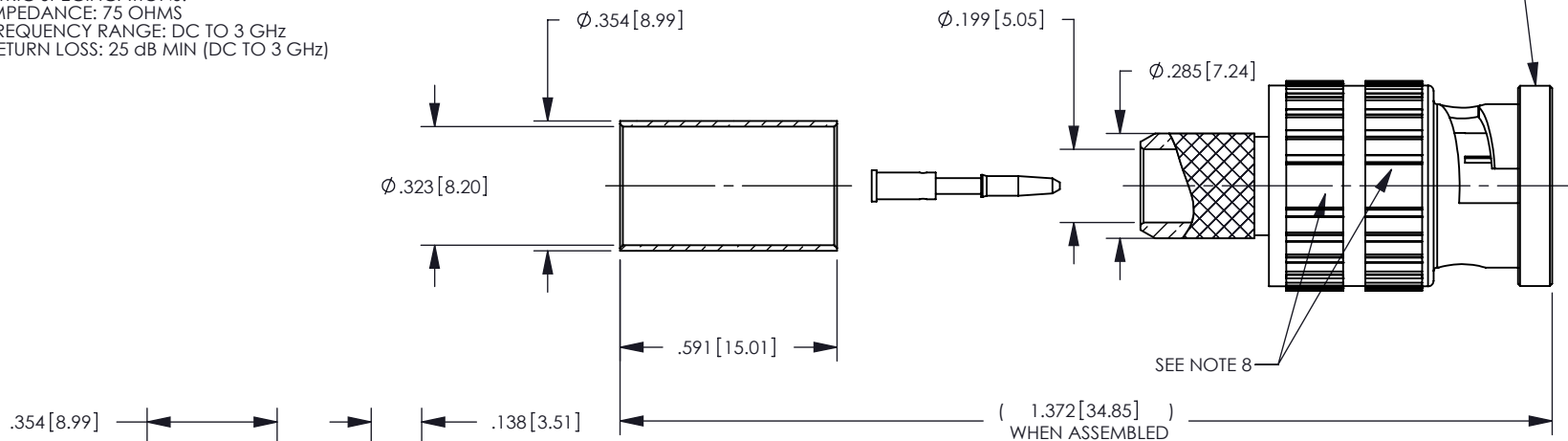


NOTES: UNLESS OTHERWISE SPECIFIED

- FOR GENERAL SERIES SPECIFICATIONS, SEE SDPRF-206.
- MATERIAL SPECIFICATIONS:
BAYONET SLEEVE, BODY, CONTACT, FERRULE: BRASS PER ASTM B16
INSULATOR: TEFLON PER ASTM D1710
SPRING WASHER, OUTER CONTACT: BERYLLIUM COPPER, ASTM-B-194
GASKET: SILICONE RUBBER
- FINISH SPECIFICATIONS:
BAYONET SLEEVE, BODY, FERRULE: .000100MIN NICKEL PER AMS-QQ-N-290
OVER COPPER FLASH PER ASTM B734 (ROHS)
CONTACT: .000030 MIN. GOLD PER ASTM B488, OVER NICKEL PER
AMS-QQ-N-290 (ROHS)
ALL OTHER METAL PARTS: .000050 MIN NICKEL PER AMS-QQ-N-290
OVER .000050 MIN COPPER PER ASTM-B734
- CONTACT AND FERRULE SHIPPED LOOSE.
- FOR USE WITH TACHII CABLE TCX-5CFBL OR EQUIVALENT.
- FOR CRIMPING USE KINGS KTH-5000 & KTH-5006 (.32 HEX, .054 SQUARE FLAT).
- ASSEMBLE TO CABLE USING CAP-E01.
- THESE AREA HAVE WHITE MARKING.
- ELECTRIC SPECIFICATIONS:
IMPEDANCE: 75 OHMS
FREQUENCY RANGE: DC TO 3 GHz
RETURN LOSS: 25 dB MIN (DC TO 3 GHz)

REV	DESCRIPTION	BY DATE	APPD
C	REVISED PER ER17023	CY 08/03/09	CTC

MARKING:
KINGS+2065+CABLE CODE+
DATE CODE+LOCATION CODE



RECOMMENDED CABLE
TRIMMING DIMENSIONS

CATALOG P/N:2065-E00-5CF01N

PER ASME Y14.5M-1994
UNLESS OTHERWISE SPECIFIED:
DIMENSIONS ARE IN INCHES [MM]
TOLERANCES:
DECIMAL: .XX [X.X] ± .01 [0.3]
.XXX [X.XX] ± .005 [0.13]
.XXXX [X.XXX] ± .0005
ANGLES: ± 2° SCALE: 2:1

Winchester Electronics

KINGS

Winchester Electronics Corporation
62 Barnes Industrial Road North
Wallingford, Connecticut 06492

CUSTOMER
DRAWING



BNC 75 PLUG
FOR TACHII TCX-5CFBL
(ROHS COMPLIANT)

DRAWN DATE APPROVED DATE
CY 03/10/08 RFA 03/11/08

APPROVED DATE APPROVED DATE
DCI 03/11/08 DCam 03/11/08

A SD2065-E00-5CF01N SHT 1 OF 1 REV
C