



TAI-SAW TECHNOLOGY CO., LTD.

No. 3, Industrial 2nd Rd., Ping-Chen Industrial District,
Tao-Yuan, 324, Taiwan, R.O.C.

TEL: 886-3-4690038 FAX: 886-3-4697532

E-mail: tstsales@mail.taisaw.com Web: www.taisaw.com

Approval Sheet for Product Specification

Issued Date:

Product Name: 70MHz IF SAW Filter (BW=1.1 MHz)

TST Parts No.: TB0227A

Customer Parts No.: _____

Company: _____
Division: _____
Approved by : _____
Date: _____

Checked by: _____ Andy Lee

Approval by: _____ Francis Chen

Date: _____ .2005/5/13



TAI-SAW TECHNOLOGY CO., LTD.

No.3, Industrial 2nd Rd., Ping-Chen Industrial District, Taoyuan, Taiwan, R.O.C.

TEL: 886-3-4690038 FAX: 886-3-4697532

E-mail: tstsales3@mail.taisaw.com Web: www.taisaw.com

70 MHz IF SAW Filter (SMD 19×6.5 mm)

Model No.: TB0227A

Rev. No.:3

A. Maximum Rating:

RoHS Compliant
Lead free
Lead-free soldering

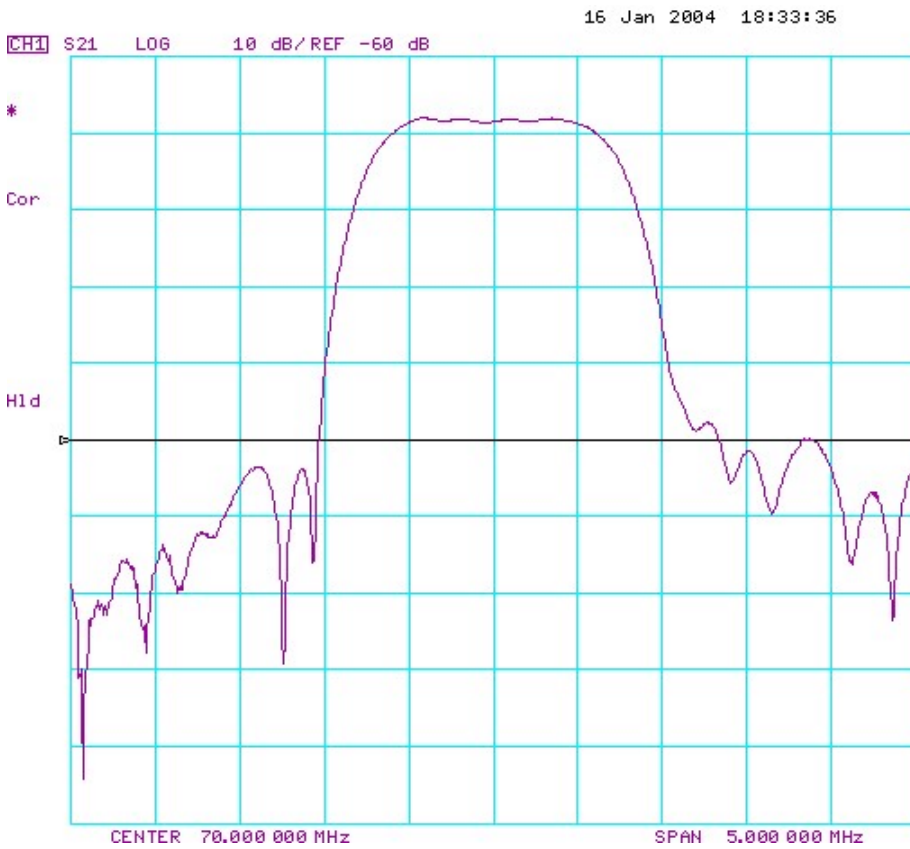
1. Input Power Level: +20 dB_m
2. Operating Temperature: -10°C to +70°C
3. Storage Temperature: -40°C to +85°C

B. Electrical Characteristics:

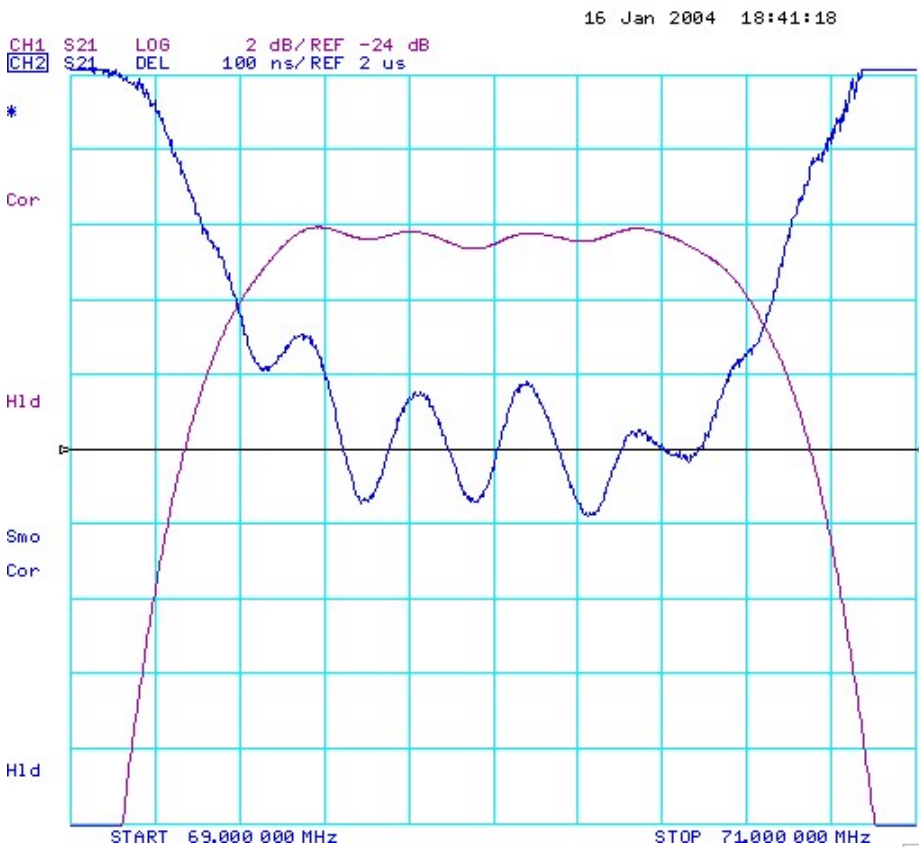
Parameters	Unit	Min.	Typical	Max.
Center frequency, F_c	MHz	69.97	70.00	70.03
Insertion Loss, IL	dB	-	18.2	20.0
1 dB Bandwidth	MHz	0.95	1.10	-
3 dB Bandwidth	MHz	1.1	1.3	-
35 dB Bandwidth	MHz	-	2.05	2.20
Relative Attenuation:				
10 to 68 MHz	dB	40	45	-
72 to 140 MHz	dB	40	45	-
Amplitude ripple within $F_c \pm 0.5$ MHz	dB	-	0.5	0.8
Group delay ripple within $F_c \pm 0.5$ MHz	nsec	-	194	220
Absolute Delay	usec	-	2.04	-
Substrate Material	-	-	Quartz	-

C. Frequency Characteristics:

(1) Frequency Response

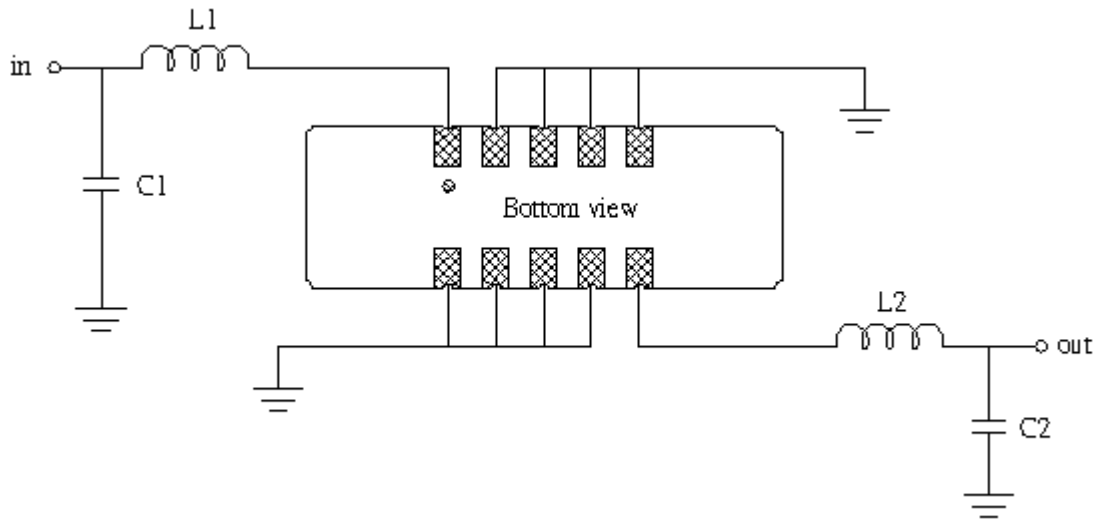


(2) Passband response and Group Delay Variation



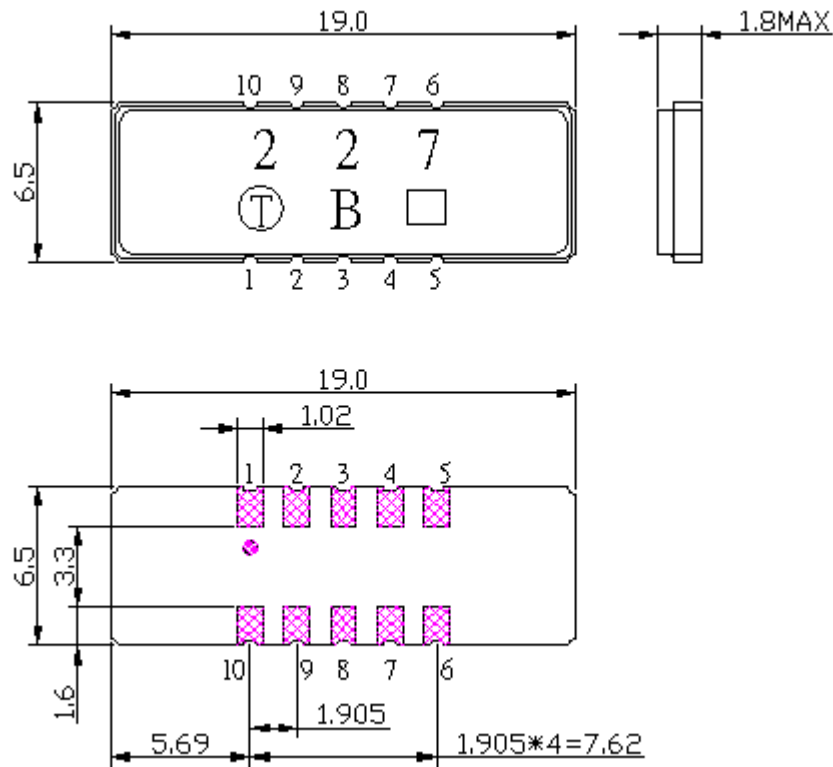
D. Measurement Circuit:

Source and load impedance: 50 Ω



L1=540 nH, C1=62 pF, L2=440 nH, C2=39 pF,

E. Outline Drawing:



Pin 1: RF input

Pin 6: RF output

Pin 2,3,4,5,7,8,9,10: To be ground

Unit: mm