

Ceramic Disc Capacitors Class X1, 275V_{AC}

DESIGN:

Disc capacitors with epoxy coating

RATED VOLTAGE U_R:

(X1): 275V_{AC}, 50Hz (IEC 60384-14.2)

DIELECTRIC STRENGTH BETWEEN LEADS:

Component test:

4000V_{AC}, 50Hz, 2s

As repeated test admissible only once with

3600V_{AC}, 50Hz, 2s

Random sampling test (destructive test):

3500V_{AC}, 50Hz, 60s

DIELECTRIC STRENGTH OF BODY INSULATION:

2000V_{AC}, 50Hz, 60s (destructive test)

DISSIPATION FACTOR tan δ:

≤ 25 · 10⁻³

INSULATION RESISTANCE R_{is}:

≥ 6 · 10⁹Ω

CATEGORY TEMPERATURE RANGE θ_A:

(- 40 to + 125)°C

CLIMATIC CATEGORY ACC. TO EN60068-1:

40/125/21

COATING:

Epoxy dipped, insulating, flame retarding acc. to UL 94V-0

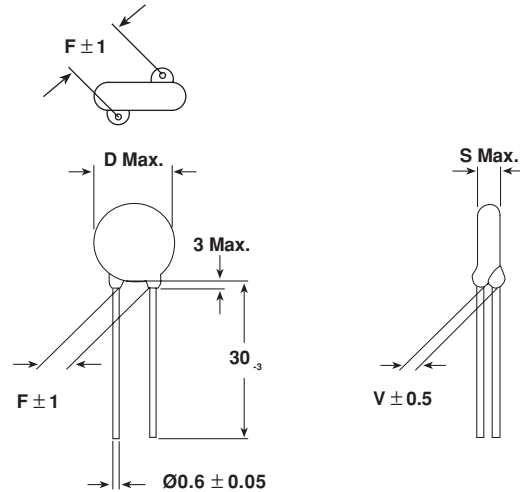
TAPING AND SPECIAL LEAD CONFIGURATIONS:

On request

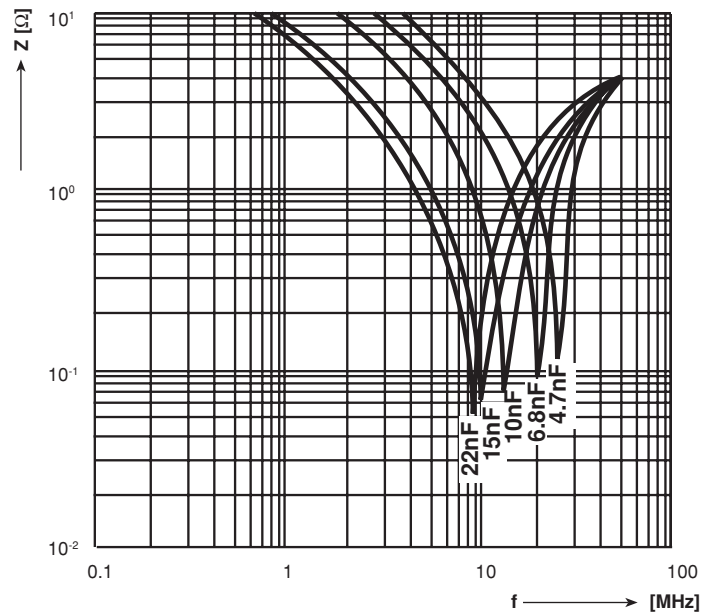
MARKING:



All approved marks are also shown on the label.



• Dimensions in mm



Impedance (Z) as a function of frequency (f) at T_a = 20°C (average).

Measurement with lead length 6mm.



| CAPACITANCE pF | D x s Max. (mm) | F ± 1* (mm) | d ± 0.05* (mm) | V ± 0.5* (mm) | ORDERING CODE | CERAMIC DIELECTRIC |
|-------------------|--------------------|----------------|-------------------|------------------|------------------|-----------------------|
| 4700 pF | 11.0 x 3.0 | 7.5 | 0.6 | 1.4 | W1X472□CV□□□K | K 10000 |
| 6800 pF | 11.0 x 3.0 | | | | W1X682□CV□□□K | |
| 0.010 μF | 15.0 x 3.0 | | | | W1X103□CV□□□K | |
| 0.015 μF | 17.0 x 3.0 | | | 1.6 | W1X153□CV□□□K | |
| 0.022 μF | 20.0 x 3.0 | | | W1X223□CV□□□K | | |

*Standard lead configuration, other lead spacing and diameter available on request

Capacitance Tolerances: ± 20%, (+ 50 - 20%)

| | | | |
|-----------------------|--|--|----------------------------|
| Ordering Code: | <input type="checkbox"/> 7th digit: | Capacitance tolerance: | ± 20% = M + 50- 20% = S |
| | <input type="checkbox"/> 10th/11th/12th digit: | Lead configuration (See General Information) | |

| APPROVALS | | | |
|--|--------------------------|----------------------------------|--|
| IEC 60384-14 2ND Edition (1993) Table II & A 1 (1995-06) EN 132400 (1994) These approvals together with the CB-Test Certificate substitutes the national approval of the nations given in the table below | (X1) CB-Test Certificate | Fi 362 A 2 (275V _{AC}) | |
| | (X1) CB-Test Certificate | DE 1-7467 (275V _{AC}) | |

| | | | | |
|---|---------------|----------|---------|-----------------|
| This approval mark together with the CB-Certificate replace all national approval marks of the following countries (they have already signed the CB-Agreement): | | | | |
| Austria | Belgium | Denmark | Finland | Sweden |
| France | Germany | Ireland | Italy | Switzerland |
| Netherlands | Israel | Portugal | Spain | Great Britain |
| Japan | Norway | China | Poland | Czech. Republic |
| Singapore | Rep. of Korea | Hungary | Iceland | Slovenia |

| ORDERING INFORMATION: | | | | | |
|------------------------------|--------------------------|-----------------------|----------------------------|-------------------------------------|---------------------------|
| W1X SERIES | 223 CAP. VALUE | M TOLERANCE | CV RATED VOLTAGE | CF0 LEAD CONFIGURATION | K INTERNAL CODE |