



LIGHTING FOREVER

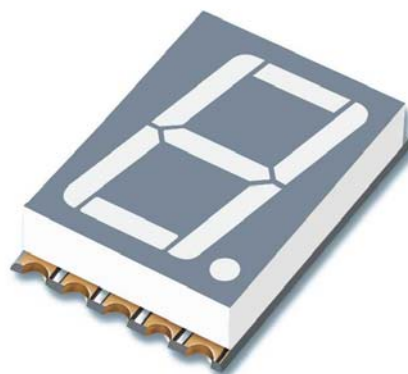
Technical Data Sheet

0.56" Single Digit SMD Display

ELSS-512UBWA/C470/S290

Features

- Packaged in tape and reel for SMT manufacturing.
- Design flexibility (common cathode or anode).
- Categorized for luminous intensity.
- The thickness is thinner than tradition display.
- Pb free.
- The product itself will remain within RoHS compliant version.



Descriptions

- The SMD type is much smaller than tradition type components, thus enable smaller board size, higher packing density, reduced storage space and finally smaller equipment to be obtained.

Applications

- Suitable for indoor use.
- Audio system.
- Set top box.
- Game machine.
- Channel indicator of TV.

Device Selection Guide

Chip		Face Color
Material	Emitted Color	
InGaN	Blue	Gray

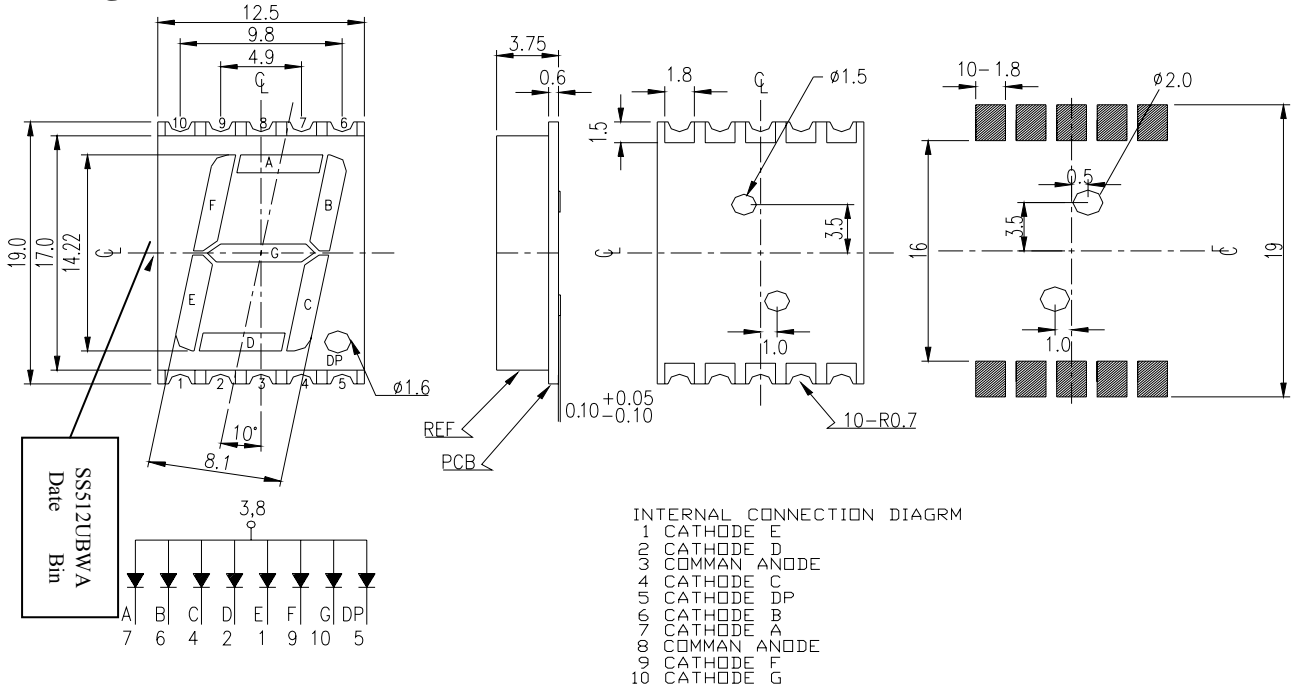
Technical Data Sheet

0.56" Single Digit SMD Display

ELSS-512UBWA/C470/S290

Land Pattern (Recommend)

Package Dimensions



Notes:

- All dimensions are in millimeters, tolerance is 0.25mm unless otherwise noted.
- Above specification may be changed without notice. Supplier will reserve authority on material change for above specification.

Absolute Maximum Ratings (Ta=25°C)

Parameter	Symbol	Rating	Units
Forward Current	I _F	25	mA
Pulse Forward Current *1	I _{FP}	100	mA
Operating Temperature	T _{opr}	-40 ~ +105	°C
Storage Temperature	T _{stg}	-40 ~ +105	°C
Reflow Temperature	T _{ref}	260	°C
Electrostatic Discharge	ESD	150	V
Power Dissipation	P _d	110	mW
Reverse Voltage	V _R	5	V

Notes: *1: I_{FP} Conditions--Pulse Width ≤ 10msec and Duty ≤ 1/10.

*2: Reflow time ≤ 5 seconds.

Technical Data Sheet

0.56'' Single Digit SMD Display

ELSS-512UBWA/C470/S290

Electro-Optical Characteristics (Ta=25°C)

Parameter		Symbol	Min.	Typ.	Max.	Units	Condition
Forward Voltage		V_F	--	3.0	3.7	V	$I_F=20mA$
Reverse Current		I_R	--	--	50	μA	$V_R=5V$
Luminous Intensity	Per segment	I_V	15.0	28.6	--	mcd	$I_F=10mA$
	Per decimal point		7.8	12.6	--		
Peak Wavelength		λ_p	--	468	--	nm	$I_F=20mA$
Dominant Wavelength		λ_d	--	470	--	nm	$I_F=20mA$
Spectrum Radiation Bandwidth		$\Delta \lambda$	--	35	--	nm	$I_F=20mA$

Bin Range of Luminous Intensity (Unit: mcd)

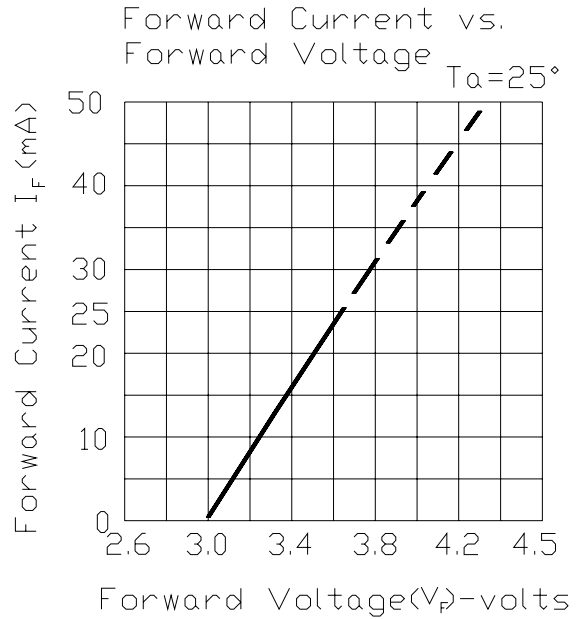
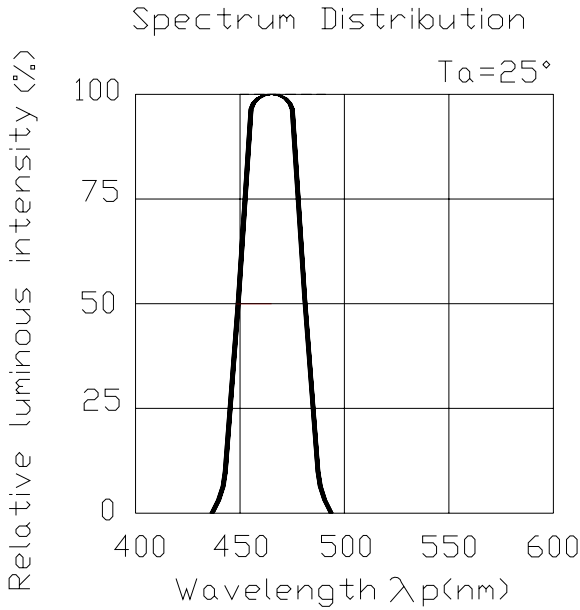
Rank	Min.	Max.	Rank	Min.	Max.
R	11.0	17.6	U	30.0	48.0
S	15.0	24.0	V	42.0	67.0
T	21.0	34.0	W	59.0	94.0

Technical Data Sheet

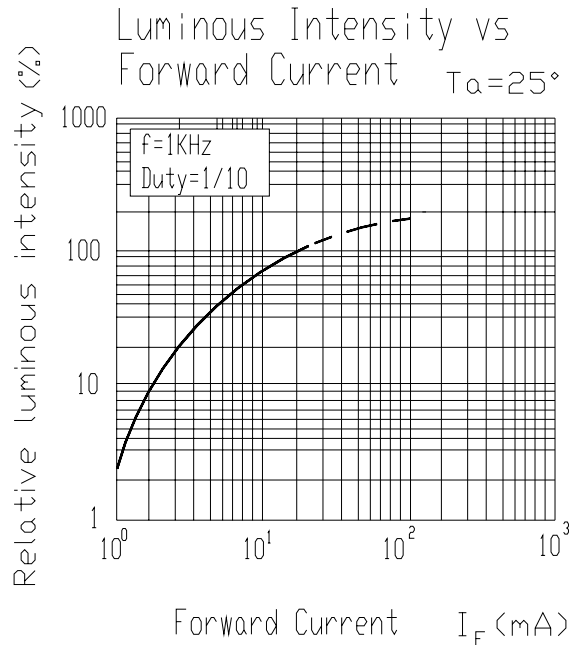
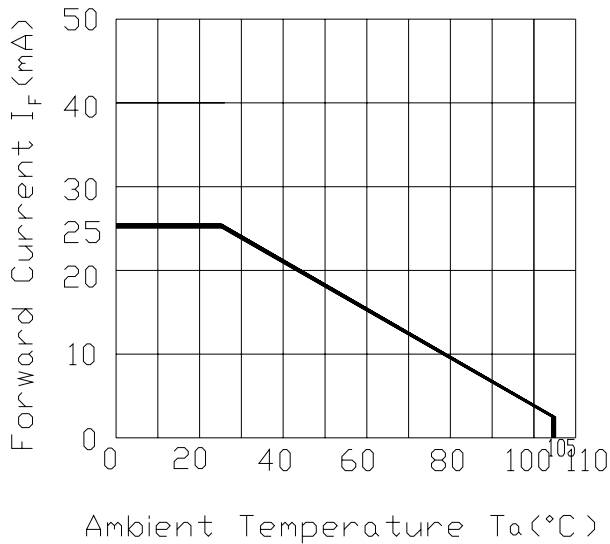
0.56" Single Digit SMD Display

ELSS-512UBWA/C470/S290

Typical Electro-Optical Characteristics Curves



Forward Current Derating Curve

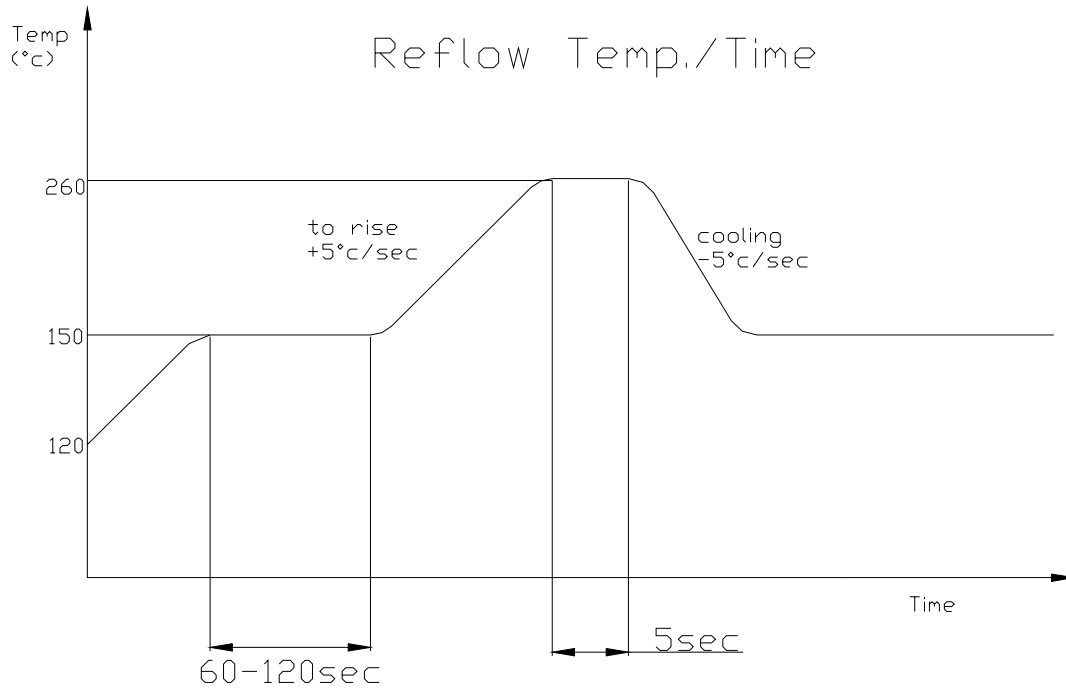


Technical Data Sheet

0.56" Single Digit SMD Display

ELSS-512UBWA/C470/S290

■ Reflow Temp. / Time :



■ Soldering Iron :

Basic spec is ≤ 5 sec when 260°C . If temperature is higher, time should be shorter ($+10^{\circ}\text{C} \rightarrow -1\text{sec}$). Power dissipation of iron should be smaller than 15 W, and temperature should be controllable. Surface temperature of the device should be under 230°C .

■ Rework :

1. Customer must finish rework within 5 sec under 260°C .
2. The head of iron can not touch copper foil.

Technical Data Sheet

0.56" Single Digit SMD Display

ELSS-512UBWA/C470/S290

■ Reliability test items and conditions:

The reliability of products shall be satisfied with items listed below.

Confidence level : 90%

LTPD : 10%

NO	Item	Test Conditions	Test Hours/Cycle	Sample Size	Failure Judgment Criteria	Ac/Re
1	Reflow Soldering	TEMP:260°C±5°C 5~10 SEC	6 Min	22 PCS	$I_v \leq I_{vt} * 0.5$ or $V_F \geq U$ or $V_F \leq L$	0/1
2	Temperature Cycle	H : +100°C 15min ┆ 5min L : -40°C 15min	300 Cycles	22 PCS		0/1
3	Thermal Shock	H : +100°C 5min ┆ 10 sec L : -10°C 5min	300 Cycles	22 PCS		0/1
4	High Temperature Storage	TEMP:105°C	1000 HRS	22 PCS		0/1
5	Low Temperature Storage	TEMP:-40°C	1000 HRS	22 PCS		0/1
6	DC Operating Life	TEMP:25°C If= 10mA	1000 HRS	22 PCS		0/1
7	High Temperature / High Humidity	85°C / 85% RH	1000 HRS	22 PCS		0/1

Note : I_{vt} : The test I_v value of the chip before the reliability test

I_v : The test value of the chip that has completed the reliability test

U : Upper Specification Limit

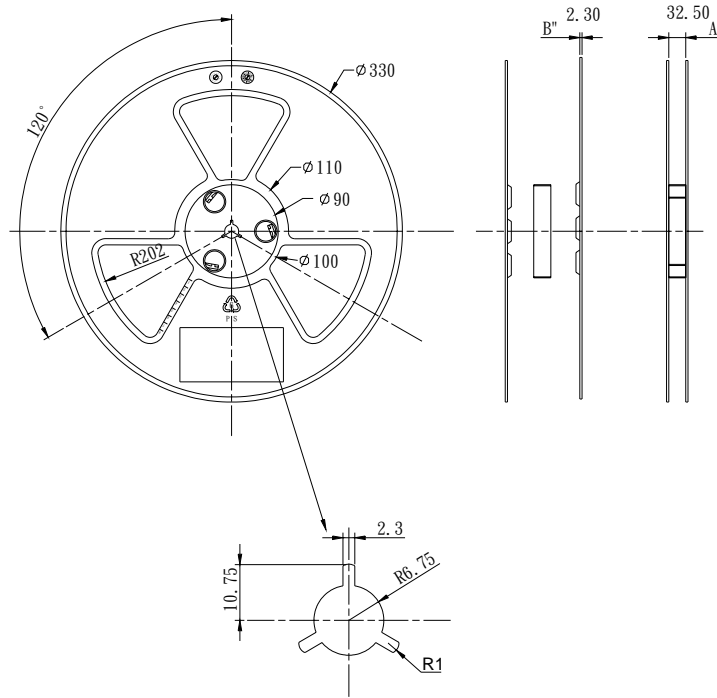
L : Lower Specification Limit

Technical Data Sheet

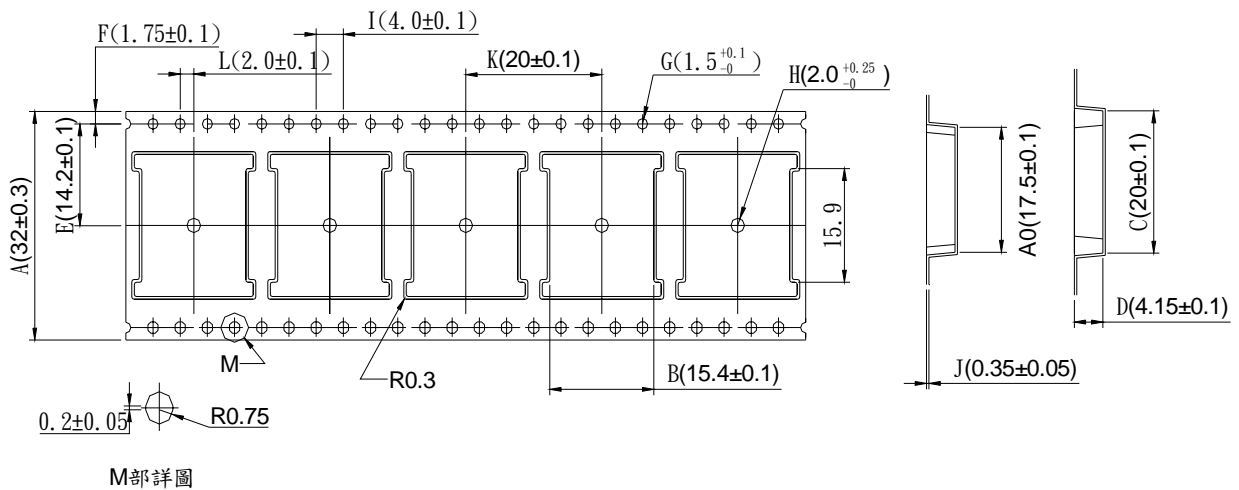
0.56" Single Digit SMD Display

ELSS-512UBWA/C470/S290

Package Dimensions



Taping Dimensions





Technical Data Sheet

0.56" Single Digit SMD Display

ELSS-512UBWA/C470/S290

Packing Quantity Specification

800PCS/Roll · 1Roll/Small box, 6Small boxes/Box

Label Form Specification

	EVERLIGHT	11
CPN:		
P/N:		
	RoHS	
SS512UBWA/C470/S290		
QTY:	CAT:	
	HUE:	
LOT NO:	REF:	
REFERENCE:		DC:

CPN: Customer's Production Number

P/N : Production Number

QTY: Packing Quantity

CAT: Ranks

HUE: Peak Wavelength

REF: Reference

LOT No: Lot Number

DC: Year and weekly

REFERENCE: Label identify code

Notes :

1. Above specification may be changed without notice. EVERLIGHT will reserve authority on material change for above specification.
2. When using this product, please observe the absolute maximum ratings and the instructions for using outlined in these specification sheets. EVERLIGHT assumes no responsibility for any damage resulting from use of the product which does not comply with the absolute maximum ratings and the instructions included in these specification sheets.
3. These specification sheets include materials protected under copyright of EVERLIGHT Corporation. Please don't reproduce or cause anyone to reproduce them without EVERLIGHT's consent.

EVERLIGHT ELECTRONICS CO., LTD.
Office: No 25, Lane 76, Sec 3, Chung Yang Rd,
Tucheng, Taipei 236, Taiwan, R.O.C

Tel: 886-2-2267-2000, 2267-9936
Fax: 886-2267-6244, 2267-6189, 2267-6306
<http://www.everlight.com>