

SOM-C3530 Evaluation Kit

TI OMAP35 COM with
Windows® Embedded CE 6.0



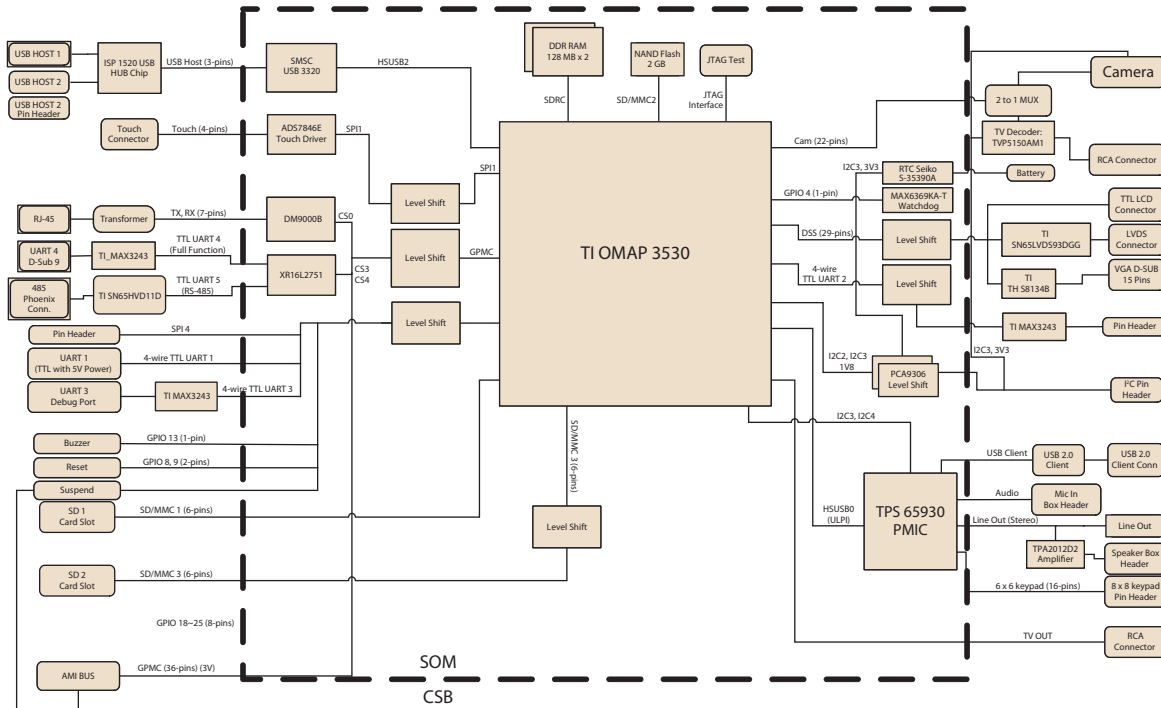
Features

- ARM Cortex A8 600 MHz kernel & Built-in 430 MHz TMS320C64x+™ DSP Core
 - Supports MPEG 1/2/4 H.264 decode/encode. Video supports D1 resolution directly up to 720P*
 - H/W 2D/3D Acceleration directly supports OpenGL ES 2.0
 - Rich I/O as LCD out, TV-out, Audio, USB, LAN, multi-COM (5), SD (2), GPIO (20), I²C (2), SPI (1), keypad 6 x 6 matrix
 - Supports wide range of working temperatures: -40 ~ 85° C (optional)
 - Supports Embedded Linux2.6, Win CE 6.0, Android (project-based)
- * 3rd party codec required to support 720P.

Specifications

Kernel	CPU	TI OMAP 3530 600 MHz
	DSP	Built-in 430 MHz TMS320C64x+™ DSP Core
	2D/3D Accelerators	Supports OpenGL ES 2.0
	OS	Win CE 6.0 English professional version as default
	DRAM	256 MB
	Image/AP Flash	2 GB
	RTC	Via S-35390A on CPU module
	Watchdog	Via MAX6369KA-T on CPU module
	Power Management	Standard/Idle/Suspend mode
	Interface (All interfaces with Industrial TTL 3.3 V level)	COM
USB Host		2 x USB 2.0 host ports
USB Client		1 x USB 2.0 client port
LAN		1 x 10/100 (MAC + PHY on CPU module)
SD/MMC		2 x SDIO/MMC interface
GPIO		20-pin 3.3V TTL level DIO
Hotkey/Matrix Key Pad		6 x 6 matrix keypad
I ² C		2
SPI		1
Buzzer Control		Yes
Display	Graphic Chip	CPU internal 24-bit LCD controller
	LCD Resolution	Default: 800 x 480 7" WVGA LVDS interface. Optional: 320 x 240 ~ 1920 x 1080
	Brightness/Backlight Control	Yes
	T/S	4-wire resistive type interface by ADS7846 on CPU module
	Video Out	Optional
Power	Audio	Audio Codec on Computer-on-Module for Line-in, Line-out & Mic-in
	DC-input	3.3V±5% and 3.6V±5%
Mechanical & Environment	Power Consumption	Normal run 0.6 Watt Full run 1.2 Watt
	Board Size	68 mm x 68 mm x 7.5 mm (Computer-on-Module) (PCB 1.6 mm)
	Weight	100g
	Operation Temperature	0 ~ 60° C (32 ~ 140° F) (-20 ~ 70° C ; -40 ~ 85° C by project base)
Operating Humidity	5% ~ 95% Relative Humidity, non condensing	

Block Diagram



Packing List

Part No.	Description	Quantity
9698353005E	SOM-C3530 COM (CPU Board)	1
9698353010E	SOM-C3530 CSB (Carrier Board)	1
1330002308	LCD-LED Backlight 7" LVDS RGB 97G070V1N0F-2	1
170000194	Touch Cable	1
1700014418	LVDS Cable	1
1700014438	LCD Backlight Cable	1
1757002944	Adapter 100-240V 90W 19V 4.74A W/PFC 9NA0900508	1
ADAM-4520-D2E	RS-232 to RS-422/485 converter w/ iso. Rev. D2E	1
1652002209	PLUG-IN BLOCK DIP 2P (F) MC421-38102 DECA	1
1703100153	A Cable D-SUB 9P(M)/2*5P-2.0 15cm	2
1700000137	Cable AV Terminal 180cm	1
1700091002	M Cable D-SUB 9P(F)/D-SUB 9P(F) 100CM	1
1654909900	Terminal connector 9P Female	1
2066000300	CD of Advantech SoftwareBlank	1
1700013957	mini usb cable	1

Ordering Information

Part No.	Description
SOM-C3530DK-B00E	Evaluation kit for TI OMAP3530 w/Windows CE 6.0,256MB DDR SDRAM,2GB on board flash
Power cord	1700001524 for 3-pin USA standard power cord 170203183C for 3-pin Europe standard power cord 170203180A for 3-pin UK standard power cord

I/O Placement

